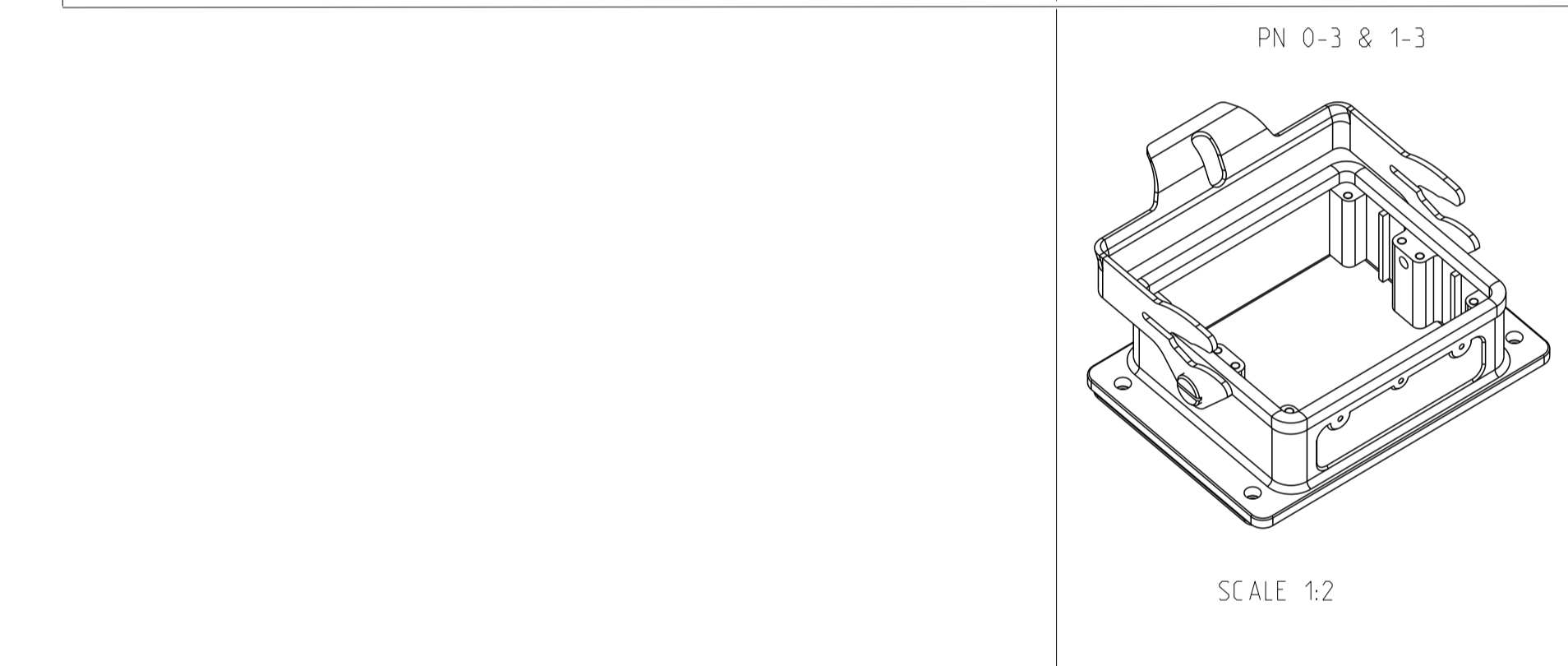
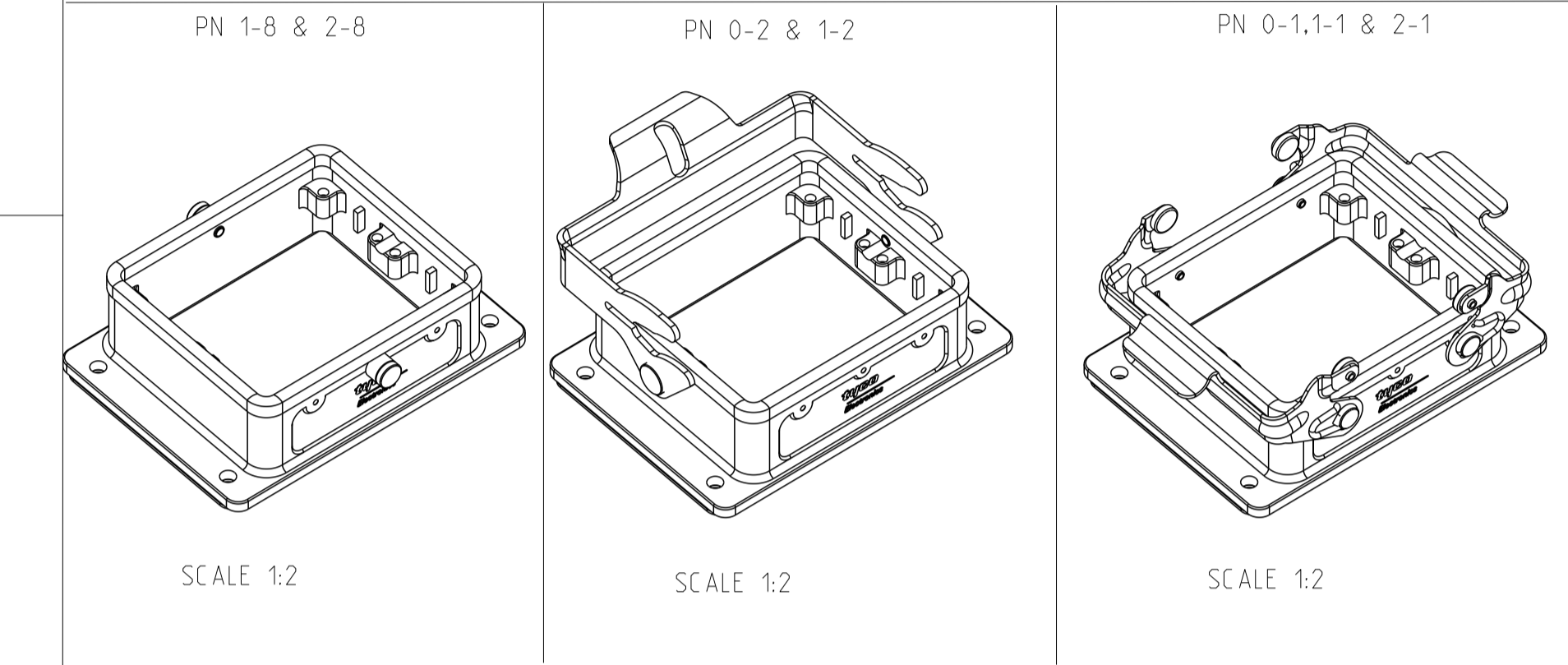


REVISIONS				
P	LTA	DESCRIPTION	DATE	OWN APVD
A8		ECR - 001736	23SEP2009	GW ST
A9		ECR-09-022013	09OCT2009	AR ST
A10		ECR-16-015318	26OCT2017	GR MKO
A11		REVISED PER ECR-17-013084	12JAN2018	SRG MKO

NOTES:  
 1 Material:Housing:Aluminium Diecasting Alloy  
 Seats Neoprene  
 2 Surface:Aluminium oxide + Varnish black - Grey  
 3 Varnish on the inside not necessary  
 4 TE Logo removed.  
 5 Packaging Quantity 3 Pieces in a box



QTY	DESCRIPTION	MATERIAL	SURFACE	COLOR	ITEM NO	NOTES
1	Flange seal	Viton		Grey	17	
1	Profile seal	Viton		Grey	16	
1	Surface mounted housing bottom entry HB	Aluminium		Grey	15	Neutral
1	Flange seal	Rubber		Black	14	
1	Profile seal	Neoprene		Black	13	
2	ZB-Slide spool	Stainless steel			12	
2	ZB-Slide spool	Steel	Zinc plated	Blue	11	
2	ZB-Clip bolt	stainless steel			10	
2	ZB-Clip bolt	Steel	Zinc plated	Blue	9	
2	LB-Clip positioner	Steel	Zinc plated	Blue	8	
1	LB-Side clip	Steel	Zinc plated	Blue	7	
4	VS-Clip positioner	Stainless steel			6	
4	VS-Clip positioner	Steel	Zinc plated	Blue	5	
2	VS-Side clip	stainless steel			4	
2	VS-Side clip	Steel	Zinc plated	Blue	3	
1	Surface mounted housing bottom entry HB-K	Aluminium	Aluminium oxide	Black	2	
1	Surface mounted housing bottom entry HB	Aluminium		Grey	1	

ORDERING TEXT  
 HB-32.AG-VS  
 HB-32.AG-VS  
 HB-K-32.AG-VS  
 HB-32.AG-LB  
 HB-32.AG-LB  
 HB-Z-32.AG-ZVGR  
 HB-K-Z-32.AG-ZVGR  
 HB-32.AG-LB  
 HB-32.AG-LB

THIS DRAWING IS A CONTROLLED DOCUMENT. DWN Schneider 27.09.2002  
 CHK Schweizer 27.09.2002

TE Connectivity

Surface mounted housing bottom entry HB-32.AGD

SIZE: A1 CAGE CODE: 00779 DRAWING NO: 1102352 SHEET 1 OF 1 REV: A11

## X-ON Electronics

Largest Supplier of Electrical and Electronic Components

*Click to view similar products for [Heavy Duty Power Connectors](#) category:*

*Click to view products by [TE Connectivity](#) manufacturer:*

Other Similar products are found below :

[1424439](#) [1424438](#) [09330062652](#) [605601-1](#) [6340G1](#) [6341G1](#) [6360G1](#) [6373G1](#) [6374g2](#) [6396G1](#) [647757-1](#) [6643411-1](#) [6646058-2](#) [6646137-1](#)  
[6646138-1](#) [6646348-1](#) [6646479-1](#) [6646608-1](#) [6646786-1](#) [6646940-1](#) [6651525-1](#) [6651529-1](#) [6651778-1](#) [6651788-1](#) [696465-1](#) [696475-1](#)  
[73000005059](#) [73000005349](#) [73000005642](#) [73080965046](#) [765-15-0080A](#) [765-16-0080B](#) [789.700-44](#) [789.700-54](#) [80-1010](#) [80-9](#) [827381-1](#)  
[829992-1](#) [902-77-02113](#) [PL00U-301-10D10](#) [PM103MOOLOO](#) [PM212MOOLOO](#) [PM309FOOLOO](#) [PM324FOOLCH](#) [PMHPAF11S03](#)  
[PMHPAF14S01](#) [PMHPAM14P05](#) [PMHPAS06](#) [PMHPBF14S01](#) [PP45PC12S](#)