

4

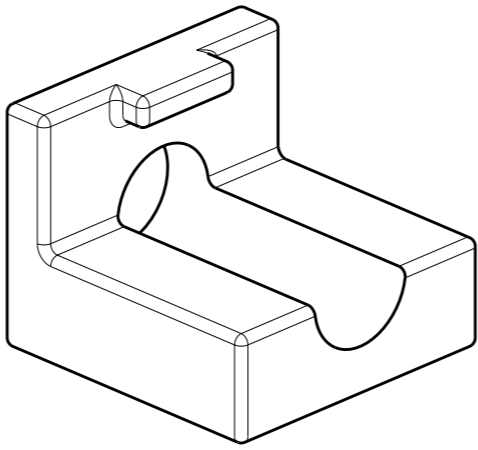
3

2

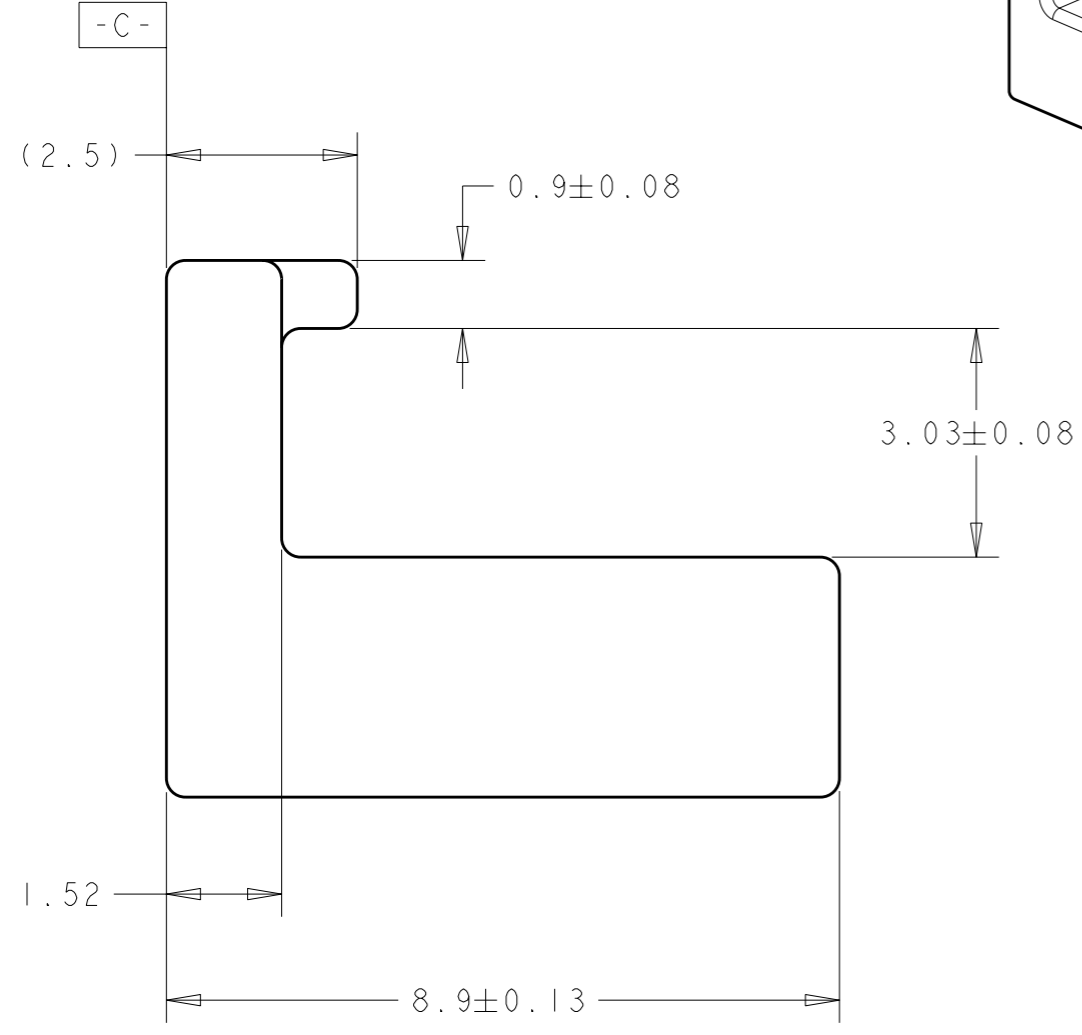
1

THIS DRAWING IS UNPUBLISHED. RELEASED FOR PUBLICATION 20
 © COPYRIGHT 20 BY - ALL RIGHTS RESERVED.

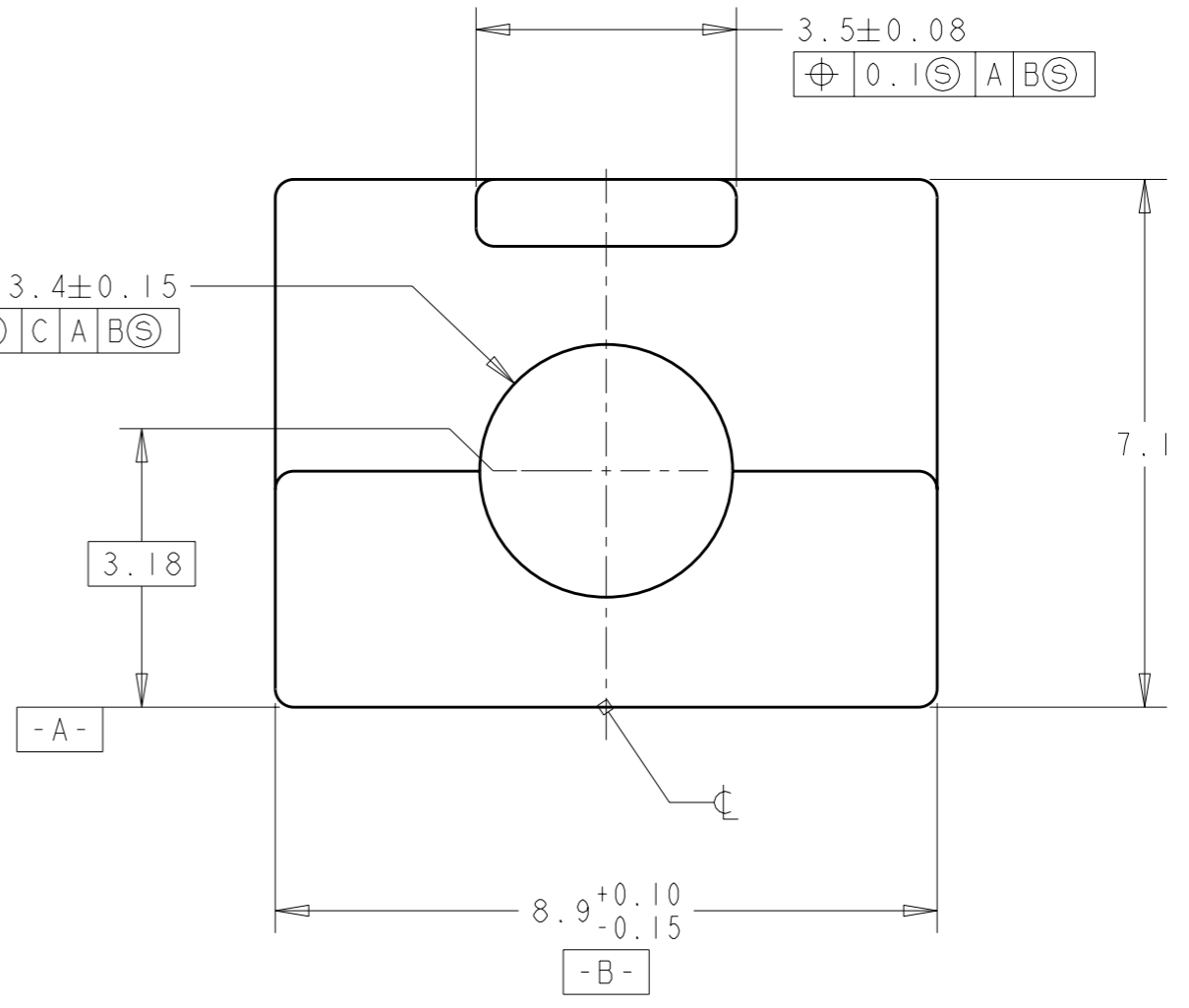
LOC	DIST	REVISIONS			
P	LTR	DESCRIPTION	DATE	DWN	APVD
GP	00	A	RELEASED PER ECO-12-006362	15MAY2012	CJV MRS



SCALE 5:1



Ø 3.4 ± 0.15
 ⊕ Ø 0.1 ⊕ C A B ⊕



2110255-2
 PART NUMBER

- ① ZINC ALLOY PER ASTM B 86, ALLOY AG40A
- ② 1.27µm MIN NICKEL PLATE PER QQ-N-290
 OVER 5.08µm MIN COPPER PLATE PER AMS 2418

THIS DRAWING IS A CONTROLLED DOCUMENT. DIMENSIONING AND TOLERANCING PER ASME Y14.5M-2009		DWN M.E. COWHER 02FEB2009	TE Connectivity		
DIMENSIONS: mm		CHK M.J. PHILLIPS 02FEB2009			
TOLERANCES UNLESS OTHERWISE SPECIFIED:		APVD M.J. PHILLIPS 02FEB2009	NAME INSERT, PLATFORM, GUIDE RAILS, 100 GIG PLUGGABLE		
0 PLC ±0.13 1 PLC ±0.1 2 PLC ±0.05 3 PLC ± 4 PLC ± ANGLES ±		PRODUCT SPEC 108-2399	RESTRICTED TO		
MATERIAL ①		APPLICATION SPEC 114-13263	SIZE A3	CAGE CODE 00779	DRAWING NO C-2110255
FINISH ②		WEIGHT -	SCALE 10:1		SHEET 1
CUSTOMER DRAWING		OF 1		REV A	

X-ON Electronics

Largest Supplier of Electrical and Electronic Components

Click to view similar products for [I/O Connectors](#) category:

Click to view products by [TE Connectivity](#) manufacturer:

Other Similar products are found below :

[571763P](#) [72.250.1628.2](#) [72.250.2428.2](#) [74720-0505](#) [76.350.0729.0](#) [76871-1403](#) [FCN-244F080-G/1](#) [FCN-260A9920](#) [MP-5T180MUNNA-005](#)
[PCR-E36PM](#) [PCS-XE26MA+](#) [G38A71314B](#) [1571250010](#) [157-22500-3](#) [MS3471L14-19P L/C](#) [91-569786-35H](#) [172501-4002](#) [172501-6002](#)
[FCN-260C008-A/L0](#) [FCN-260C024-AL0](#) [FCN-261Z008](#) [2000314-1](#) [200331-1](#) [PCR-E36FC+](#) [PCS-E28FS+](#) [PCS-XE26SLFD+](#) [PCS-](#)
[XE26SLFDT+](#) [G730VID08BDC24](#) [U90B2054081210](#) [UE86K842720321](#) [38113800006](#) [DP3AR020WQ1R200](#) [Z4.102.0680.0](#) [500-1040](#)
[500-1052](#) [500-1054](#) [ZP-4008-66L](#) [0709821002](#) [10-565995-597N](#) [DX40-20P\(55\)](#) [5554841-1](#) [MS3474W18-8P-LC*](#) [U90B3054061110](#) [U65-](#)
[E04-4020](#) [ZPF000000000097891](#) [557-262M2-06C](#) [747360449](#) [10099439-003C-TRLF](#) [10137239-0021LF](#) [E9320-001-01](#)