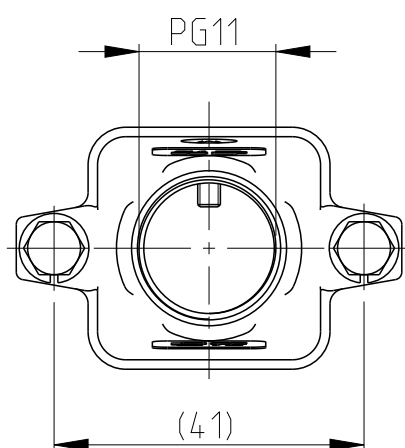
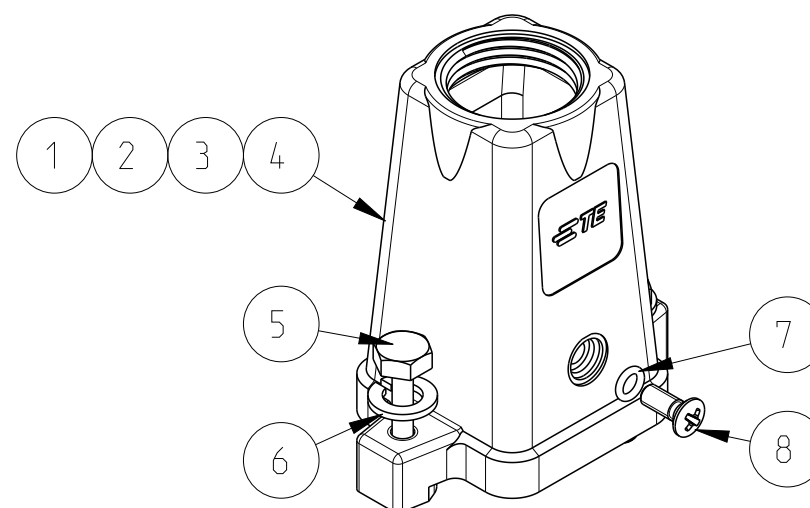
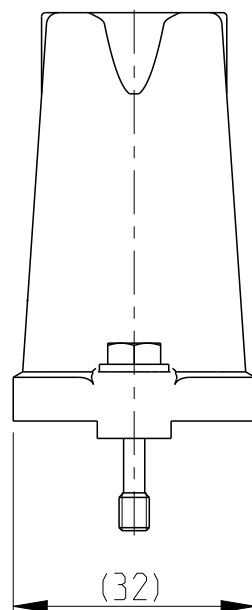
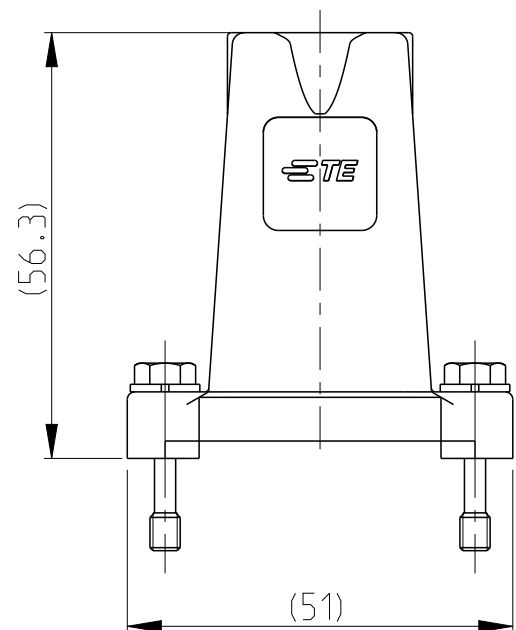


REVISIONS

P	LTR	DESCRIPTION	DATE	DWN	APVD
A5		ECR-10-009092	22OCT2009	RO	BR
B		ECR-16-001855	29FEB2016	GCM	JB
C		ECR-16-014579	25APR2017	GCM	JB
C1		ECR-17-014011	27MAR2018	SG	MKO

Notes

- 1 SUITABLE HOUSINGS: SERIES HIP, SIZE 1  
CUSTOMER DRAWING 1102600, 1106408
- 2 STANDARDS:  
DIN EN 61984, DIN EN 60664-1
- 3 TOOL:  
PHILLIPS SCREWDRIVER PH1.  
HEXAGON SCREWDRIVER 7mm
- 4 VARNISH ON INSIDE AREA NOT  
NECESSARY
- 5 PACKAGING:  
10 SETS IN A CARTON, PRE-MOUNTED




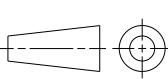
PN 1-5 AS SHOWN

OBSOLETE

0-1102600-2	HIP-K.3/4.STO.1.11.G
2-1102600-5	HIP-K.3/4.STO.1.11.G
<del>1-1102600-5</del>	<del>HIP.3/4.STO.1.11.G</del>
PART NO.	ORDERING TEXT

PN/QTY	DESCRIPTION	MATERIAL	COLOR/SURFACE	NOTE	ITEM
1 1 1	SCREW COUNTERSUNK RAISED HEAD	STAINL.STEEL	V2A	M3x8 PH1 DIN EN ISO 7047	8
1 1 1	O - RING	NBR	BLACK	3.0x1.0	7
2 2 2	WASHER, PLAIN	STAINL.STEEL	BLANK	A4, DIN EN ISO 7089, 200HV	6
2 2 2	SCREW, HEXAGON BOLT	STAINL.STEEL	BLANK	M4x22 DIN EN ISO 7964, REDUCED SHUNK	5
1 - -	CONNECTOR HOUSING	ALU	YELLOW	SERIES HIP-K	4
- 1 -	CONNECTOR HOUSING	ALU	BLACK	SERIES HIP-K	2
- - 1	CONNECTOR HOUSING	ALU	GREY	SERIES HIP	1

PARTS LIST (PER ONE UNIT)

THIS DRAWING IS A CONTROLLED DOCUMENT.		DWN V.Glumm 06AUG2009	 TE Connectivity	NAME CONNECTOR HOUSING ASS'Y, TOP ENTRY SERIES HIP, SIZE 1, PG11	
DIMENSIONS: mm		CHK H.Braun 06AUG2009		PRODUCT SPEC	
		APVD T.Schnurpfeil 06AUG2009		APPLICATION SPEC	
TOLERANCES UNLESS OTHERWISE SPECIFIED:		WEIGHT		RESTRICTED TO	
MATERIAL		FINISH		SIZE A3	CAGE CODE 00779
-		-		DRAWING NO C-1102600	SCALE 5:1
-		-		CUSTOMER DRAWING	SHEET 1 OF 1
-		-		REV C1	

## X-ON Electronics

Largest Supplier of Electrical and Electronic Components

*Click to view similar products for [Heavy Duty Power Connectors](#) category:*

*Click to view products by [TE Connectivity](#) manufacturer:*

Other Similar products are found below :

[647757-1](#) [6643411-1](#) [6646058-2](#) [6646137-1](#) [6646138-1](#) [6646479-1](#) [6646608-1](#) [6646786-1](#) [6646940-1](#) [6651091-1](#) [6651525-1](#) [6651529-1](#)  
[6651788-1](#) [696475-1](#) [702-32-01109](#) [703-25-02205](#) [73000005059](#) [73000005642](#) [73080255059](#) [73080965046](#) [765-15-0080A](#) [765-16-0080B](#)  
[765-18-0080D](#) [829992-1](#) [902-77-02113](#) [PS00/A0620/6300](#) [PS25/A0420/63](#) [129-1J](#) [1409400](#) [AN0024023](#) [E6374G1](#) [e6389g2](#) [157-43GW8](#)  
[MS3117-14AC](#) [1643543-1](#) [1650540-1](#) [1651811-2](#) [1766260-1](#) [1766282-1](#) [1766966-1](#) [1791340000](#) [NLDFT-3-BL-L-S120-M40A](#) [NLDFT-N-](#)  
[W-L-C240-M40B](#) [NLS-2-R-C240-M40B](#) [NLS-N-W-C240-M40B](#) [NPS-3-BL-T6](#) [1986615-1](#) [2-1589900-8](#) [2199314-1](#) [KA8102](#)