

P	LTR	DESCRIPTION	DATE	DWN	APVD
A7		REVISED PER ECO-09-024717	06NOV09	KK	AEG
B		ECR-16-001983	18MAY2016	GCM	JB
C		ECR-16-014579	25APR2017	GCM	JB
C1		ECR-20-002488	18SEP2020	SB	MKO

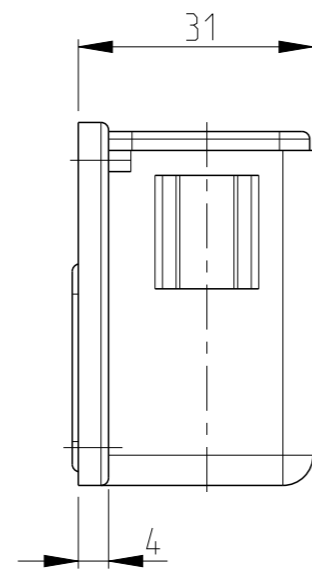
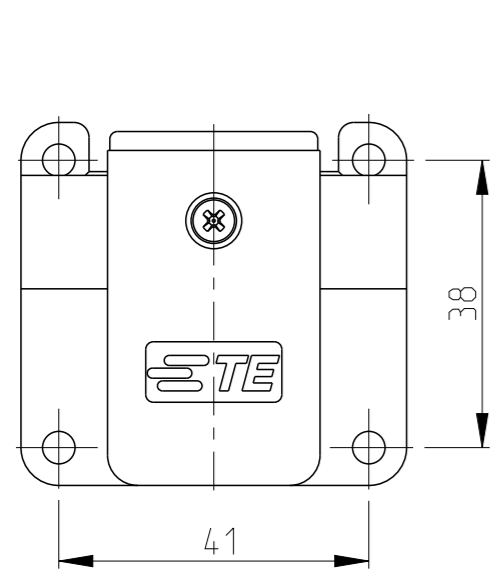
Notes

- 1 SUITABLE HOUSINGS: SERIES HIP, SIZE 1
CUSTOMER DRAWING 1102600, 1106408, 1106200
- 2 STANDARDS:
DIN EN 61984, DIN EN 60664-1
- 3 PN 0-3 WITHOUT PROFILE SEAL ON CONNECTING SIDE
- 4 TOOL:
PHILLIPS SCREWDRIVER PH1.
- 5 VARNISH ON INSIDE AREA NOT NECESSARY
- 6 PACKAGING:
10 SETS IN A CARTON,
- 7 OBSOLETE PARTS: OBSOLETE CIS STREAMLINING PER
D.RENAUD/D.SINISI

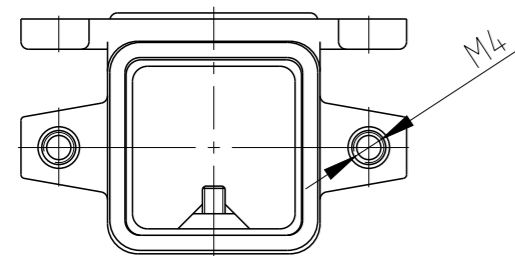
7	OBSELETE	0-1102602-3	HIP-K.3/4.SGF.SO
7	OBSELETE	0-1102602-1	HIP-K.3/4.SGF.GELB
		2-1102602-5	HIP-K.3/4.SGF
	OBSELETE	1-1102602-5	HIP.3/4.SGF
		PART NO.	ORDERING TEXT

3	7	OBSELETE	OBSELETE	DESCRIPTION	MATERIAL	COLOR/SURFACE	NOTE	ITEM	
1	1	1	1	0 - RING	NBR	BLACK	3.0x1.0	7	
1	1	1	1	SCREW COUNTERSUNK RAISED HEAD	STAINL. STEEL V2A	-	M3x8 PH1 DIN EN ISO 7047	6	
1	2	2	2	PROFILE SEAL	FKM	BLACK	SERIES EMV / HIP	5	
-	1	-	-	ANGLED BULKHEAD HOUSING	ALU	YELLOW	SERIES HIP-K	3	
1	-	1	-	ANGLED BULKHEAD HOUSING	ALU	BLACK	SERIES HIP-K	2	
-	-	-	1	ANGLED BULKHEAD HOUSING	ALU	GREY	SERIES HIP	1	
0-3	0-1	2-5	1-5						
				PN/QTY	DESCRIPTION	MATERIAL	COLOR/SURFACE	NOTE	ITEM

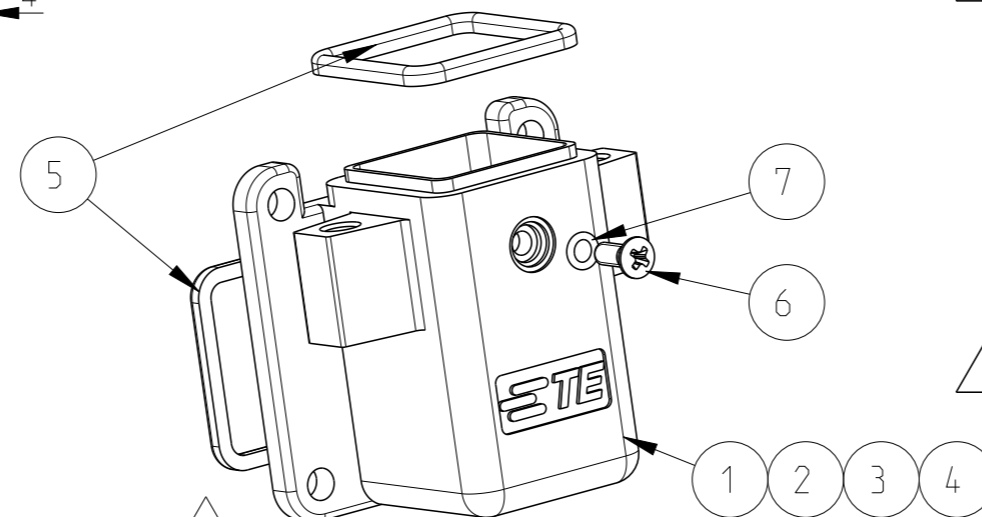
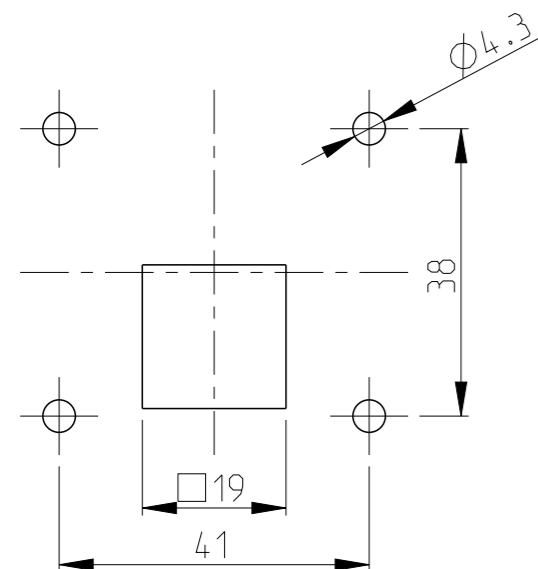
PARTS LIST (PER ONE UNIT)



PN 1-5 AS SHOWN



PANEL-CUT-OUT



THIS DRAWING IS A CONTROLLED DOCUMENT.

DWN V.GLUMM 19AUG2009	
CHK H.Braun 19AUG2009	
APVD T.Schnurpfeil 19AUG2009	
PRODUCT SPEC	
APPLICATION SPEC	
WEIGHT -	
CUSTOMER DRAWING	

DWN	V.GLUMM	19AUG2009
CHK	H.Braun	19AUG2009
APVD	T.Schnurpfeil	19AUG2009
PRODUCT SPEC		
APPLICATION SPEC		
WEIGHT	-	
CUSTOMER DRAWING		



NAME				ANGLED BULKHEAD HOUSING ASS'Y BOTTOM ENTRY, SERIES HIP, SIZE 1			
SIZE	CAGE CODE	DRAWING NO	RESTRICTED TO				
A3	00779	C=1102602					
SCALE 1:1			SHEET 1 OF 1		REV C1		

X-ON Electronics

Largest Supplier of Electrical and Electronic Components

Click to view similar products for [Heavy Duty Power Connectors](#) category:

Click to view products by [TE Connectivity](#) manufacturer:

Other Similar products are found below :

[647757-1](#) [6643411-1](#) [6646058-2](#) [6646137-1](#) [6646138-1](#) [6646479-1](#) [6646608-1](#) [6646786-1](#) [6646940-1](#) [6651091-1](#) [6651525-1](#) [6651529-1](#)
[6651788-1](#) [696475-1](#) [702-32-01109](#) [703-25-02205](#) [73000005059](#) [73000005642](#) [73080255059](#) [73080965046](#) [765-15-0080A](#) [765-16-0080B](#)
[765-18-0080D](#) [829992-1](#) [902-77-02113](#) [PS00/A0620/6300](#) [PS25/A0420/63](#) [129-1J](#) [1409400](#) [AN0024023](#) [E6374G1](#) [e6389g2](#) [157-43GW8](#)
[MS3117-14AC](#) [1643543-1](#) [1650540-1](#) [1651811-2](#) [1766260-1](#) [1766282-1](#) [1766966-1](#) [1791340000](#) [NLDFT-3-BL-L-S120-M40A](#) [NLDFT-N-](#)
[W-L-C240-M40B](#) [NLS-2-R-C240-M40B](#) [NLS-N-W-C240-M40B](#) [NPS-3-BL-T6](#) [1986615-1](#) [2-1589900-8](#) [2199314-1](#) [KA8102](#)