

THIS DRAWING IS UNPUBLISHED.

RELEASED FOR PUBLICATION

2006

© COPYRIGHT 2006 BY -

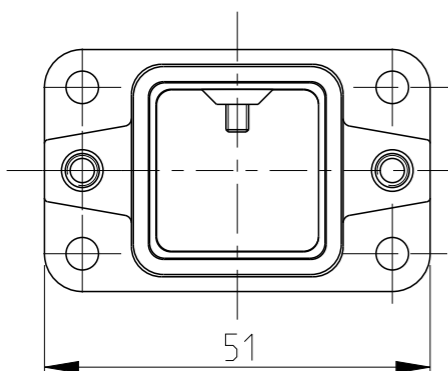
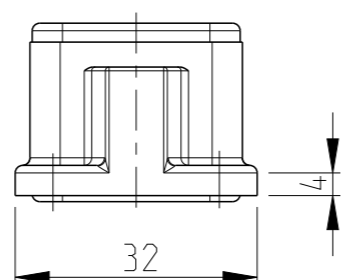
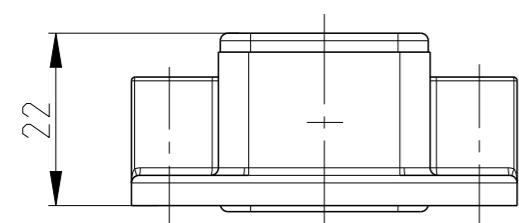
ALL RIGHTS RESERVED.

LOC  
A1

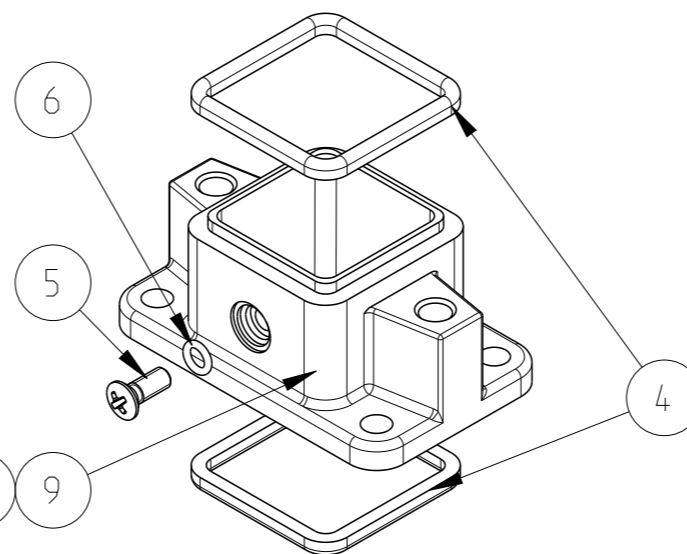
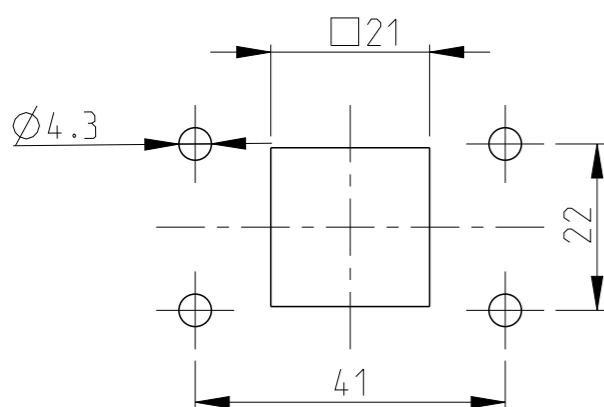
DIST  
-

REVISIONS

P	LTR	DESCRIPTION	DATE	DWN	APVD
B		ECR-16-001977	01APR2016	GCM	JB
B1		ECR-16-009320	15DEC2016	GCM	MKO
B2		ECR-16-015318	17AUG2017	GR	MKO
C		ECR-17-017420	30NOV2017	GCM	JB



PN 1-5 AS SHOWN



Notes

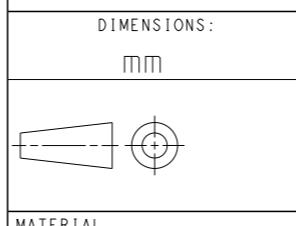
- 1 SUITABLE HOUSINGS: SERIES HIP, SIZE 1  
CUSTOMER DRAWING 1102600, 1106408, 1106200
- 2 STANDARDS:  
DIN EN 61984, DIN EN 60664-1
- 3 TOOL:  
PHILLIPS SCREWDRIVER PH1.
- 4 VARNISH ON INSIDE AREA NOT NECESSARY
- 5 PACKAGING:  
10 SETS IN A CARTON

OB	OB	1	2	3	9	DESCRIPTION	MATERIAL	COLOR/SURFACE	NOTE	ITEM
		1				BULKHEAD HOUSING	ALU	BLACK	SERIES HIP-K - WITHOUT LOGO	9
	x	x	-			GLUE	CYANACRYLAT	BLACK	LOCTITE 480	8
	-	-	x			GLUE	CYANACRYLAT	NATURAL	LOCTITE 401	7
1	1	1	1			O - RING	NBR	BLACK	3.0x1.0	6
1	1	1	1			SCREW COUNTERSUNK RAISED HEAD	STAINL. STEEL V2A	-	M3x8 PH1 DIN EN ISO 7047	5
2	2	2	2			PROFILE SEAL	FKM	BLACK	SERIES EMV / HIP	4
	1	-	-			BULKHEAD HOUSING	ALU	BLACK	SERIES HIP-K WEIDMÜLLER LOGO	3
	-	1	-			BULKHEAD HOUSING	ALU	BLACK	SERIES HIP-K	2
	-	-	1			BULKHEAD HOUSING	ALU	GREY	SERIES HIP	1
0-2	0-1	2-5	1-5							
		PN/QTY								

PARTS LIST (PER ONE UNIT)

OBSOLETE	0-2	HIP-K.3/4.AG-N
	0-1	HIP-K.3/4.AG.WE
	2-5	HIP-K.3/4.AG
	1-5	HIP.3/4.AG
PART NO.	ORDERING TEXT	

THIS DRAWING IS A CONTROLLED DOCUMENT.



DIMENSIONS:		TOLERANCES UNLESS OTHERWISE SPECIFIED:	
mm			
0 PLC	±		
1 PLC	±		
2 PLC	±		
3 PLC	±		
4 PLC	±		
ANGLES		±1°	
FINISH			

DWN	V.GLUMM	12AUG2009
CHK	H.Braun	12AUG2009
APVD	T.Schnurpfeil	12AUG2009
PRODUCT SPEC	-	
APPLICATION SPEC	-	
WEIGHT	-	
CUSTOMER DRAWING		



NAME BULKHEAD HOUSING ASS'Y, BOTTOM ENTRY SERIES HIP, SIZE 1				RESTRICTED TO	
SIZE	CAGE CODE	DRAWING NO			
A3	00779	©=1102603			
SCALE		SHEET	OF	REV	
1:1		1	1	C	

## X-ON Electronics

Largest Supplier of Electrical and Electronic Components

*Click to view similar products for [Heavy Duty Power Connectors](#) category:*

*Click to view products by [TE Connectivity](#) manufacturer:*

Other Similar products are found below :

[647757-1](#) [6643411-1](#) [6646058-2](#) [6646137-1](#) [6646138-1](#) [6646479-1](#) [6646608-1](#) [6646786-1](#) [6646940-1](#) [6651091-1](#) [6651525-1](#) [6651529-1](#)  
[6651788-1](#) [696475-1](#) [702-32-01109](#) [703-25-02205](#) [73000005059](#) [73000005642](#) [73080255059](#) [73080965046](#) [765-15-0080A](#) [765-16-0080B](#)  
[765-18-0080D](#) [829992-1](#) [902-77-02113](#) [PS00/A0620/6300](#) [PS25/A0420/63](#) [129-1J](#) [1409400](#) [AN0024023](#) [E6374G1](#) [e6389g2](#) [157-43GW8](#)  
[MS3117-14AC](#) [1643543-1](#) [1650540-1](#) [1651811-2](#) [1766260-1](#) [1766282-1](#) [1766966-1](#) [1791340000](#) [NLDFT-3-BL-L-S120-M40A](#) [NLDFT-N-](#)  
[W-L-C240-M40B](#) [NLS-2-R-C240-M40B](#) [NLS-N-W-C240-M40B](#) [NPS-3-BL-T6](#) [1986615-1](#) [2-1589900-8](#) [2199314-1](#) [KA8102](#)