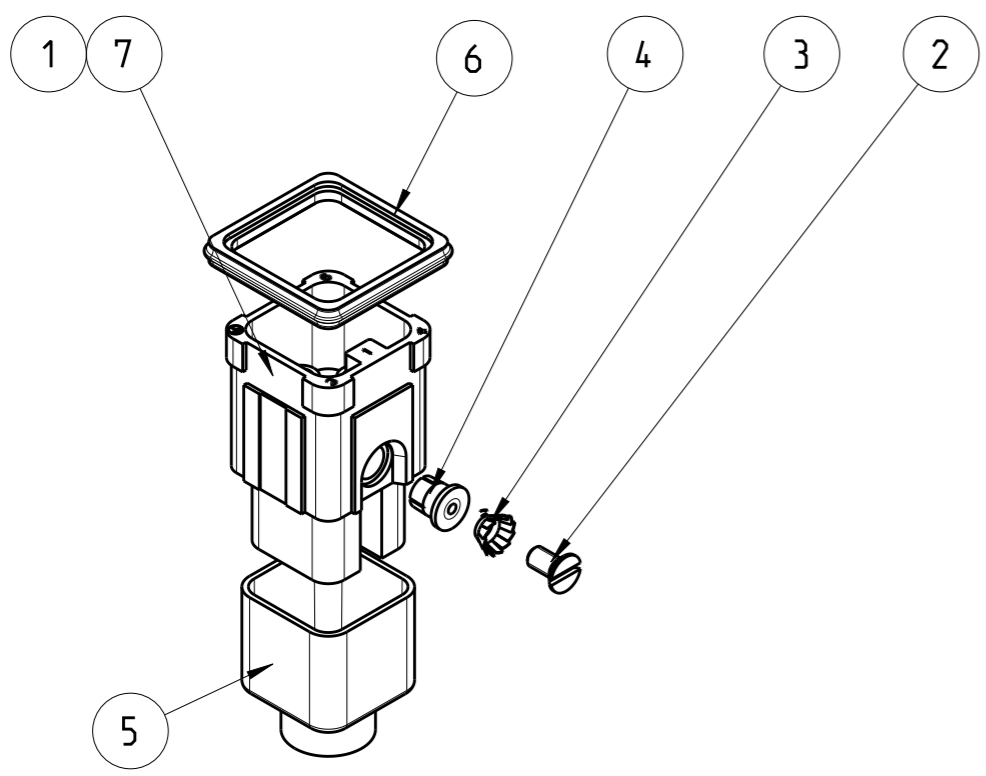


THIS DRAWING IS UNPUBLISHED. RELEASED FOR PUBLICATION 2009
 © COPYRIGHT 2009 Tyco Electronics AMP GmbH ALL RIGHTS RESERVED.

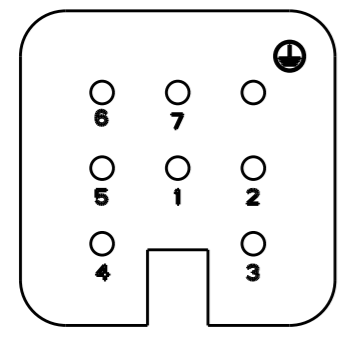
LOC	DIST	REVISIONS					
		P	LTR	DESCRIPTION	DATE	DWN	APVD
A1	-		B4	ECR-11-013895	29JUN2011	SR	BR
			B5	ECR-11-017365	19AUG2011	SR	BR
			B6	ECR-17-001958	23FEB2017	GCM	MKO
			B7	ECR-17-018172	26DEC2017	GCM	MKO

- Notes
- 1 SUITABLE CRIMP CONTACTS:
 -SERIES TYPE III+; CUSTOMER DRAWING: 164161
 -SERIES C12; CUSTOMER DRAWING: 927888
 -SERIES HD.M; CUSTOMER DRAWING: 1105000
 -WIRE INSULATION: MAX. Ø4.2 MM
 -DIMENSIONS: (OVER ALL) 24x24x34mm
 - 2 SUITABLE INSERTION TOOL:
 CUSTOMER DRAWING: 1102855-1
 - 3 SUITABLE EXTRACTION TOOL:
 CUSTOMER DRAWING: 1102855-6
 - 4 STANDARDS:
 DIN EN 61984, DIN EN 60664-1
 - 5 AUTHORIZATION; UL: UL-FILE NR.: E101788(R)
 - 6 PACKAGING:
 PN 2-3 10 SETS IN A CARTON, PRE-MOUNTED
 PN 2-4 500 SETS IN A CARTON, PRE-MOUNTED



QTY	DESCRIPTION	MATERIAL	COLOR	NOTES	ITEM
1	2 INSTRUCTION LEAFLET				8
1	MALE INSERT	PA66-GF25	LIGHT GREY	SERIES HD7, 8-POS. , TYPE III+, SIZE1	7
1	1 PROFILE SEAL	NBR 55	BLACK	SERIES HA/HG-Q, SIZE1	6
	1 INSULATION COVER	NBR 65	BLACK	SERIES HD7	5
1	1 SCREW THREAD INSERT	BRASS		M3x5.5, AFTERMOULD	4
1	1 WASHER, SERRATED LOCK	STAINL. STEEL		V3.4, DIN 6798 JULY 1988	3
1	1 SCREW, SLOTTED COUNTERSUNK FLAT HEAD	STAINL. STEEL		M3x6 DIN EN ISO 2009	2
	1 MALE INSERT	PC-GF20	LIGHT GREY	SERIES HD7, 8-POS. , TYPE III+, SIZE1	1
2-4	2-3 DESCRIPTION				
	HD.7.STI.C/250V				
	HD.7.STI.C.La.250V				

CONTACT ARRANGEMENT
 VIEW FROM TERMINATION SIDE



THIS DRAWING IS A CONTROLLED DOCUMENT.

DIMENSIONS: mm	TOLERANCES UNLESS OTHERWISE SPECIFIED: 0 PLC 1 PLC 2 PLC 3 PLC 4 PLC ANGLES	FINISH -	DWN 09APR2002 SCHNEIDER		NAME MALE INSERT ASSY SERIES HD.7
			CHK 09APR2002 SCHWEIGER		
			APVD 09APR2002 T.SCHNURPFEL		
			PRODUCT SPEC 108-74002		
MATERIAL -			APPLICATION SPEC -	SIZE A3	CAGE CODE 00779
			WEIGHT -	DRAWING NO C-1103000	RESTRICTED TO -
			CUSTOMER DRAWING	SCALE 1:1	SHEET 1 OF 1

X-ON Electronics

Largest Supplier of Electrical and Electronic Components

Click to view similar products for [Heavy Duty Power Connectors](#) category:

Click to view products by [TE Connectivity](#) manufacturer:

Other Similar products are found below :

[647757-1](#) [6643411-1](#) [6646058-2](#) [6646137-1](#) [6646138-1](#) [6646479-1](#) [6646608-1](#) [6646786-1](#) [6646940-1](#) [6651091-1](#) [6651525-1](#) [6651529-1](#)
[6651788-1](#) [696475-1](#) [702-32-01109](#) [703-25-02205](#) [73000005059](#) [73000005642](#) [73080255059](#) [73080965046](#) [765-15-0080A](#) [765-16-0080B](#)
[765-18-0080D](#) [829992-1](#) [902-77-02113](#) [PS00/A0620/6300](#) [PS25/A0420/63](#) [129-1J](#) [1409400](#) [AN0024023](#) [E6374G1](#) [e6389g2](#) [157-43GW8](#)
[MS3117-14AC](#) [1643543-1](#) [1650540-1](#) [1651811-2](#) [1766260-1](#) [1766282-1](#) [1766966-1](#) [1791340000](#) [NLDFT-3-BL-L-S120-M40A](#) [NLDFT-N-](#)
[W-L-C240-M40B](#) [NLS-2-R-C240-M40B](#) [NLS-N-W-C240-M40B](#) [NPS-3-BL-T6](#) [1986615-1](#) [2-1589900-8](#) [2199314-1](#) [KA8102](#)