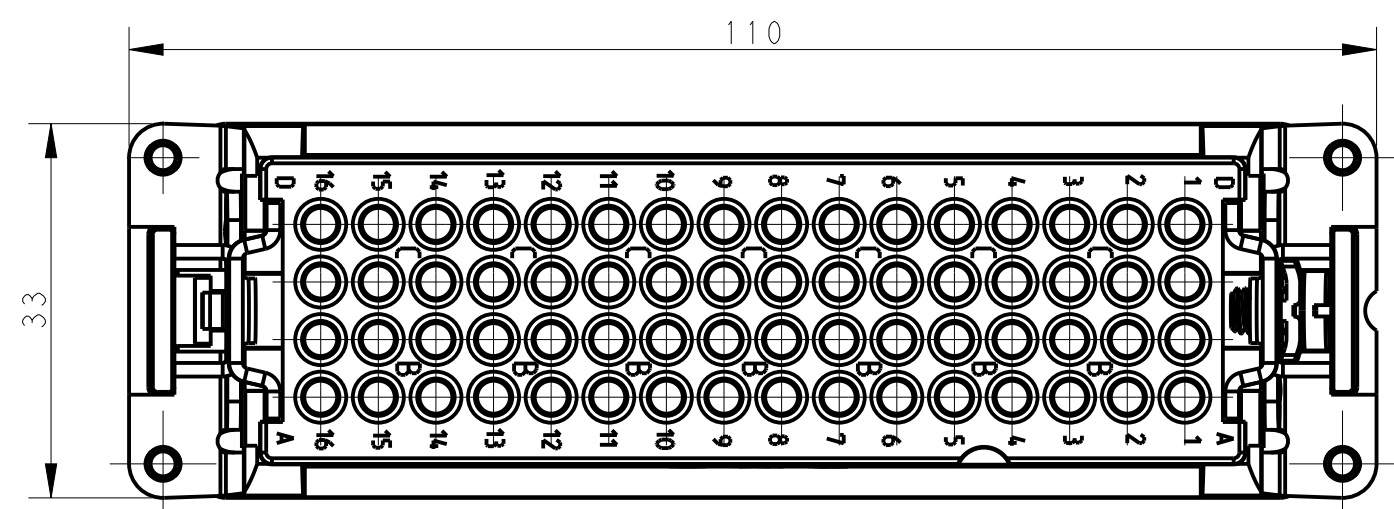
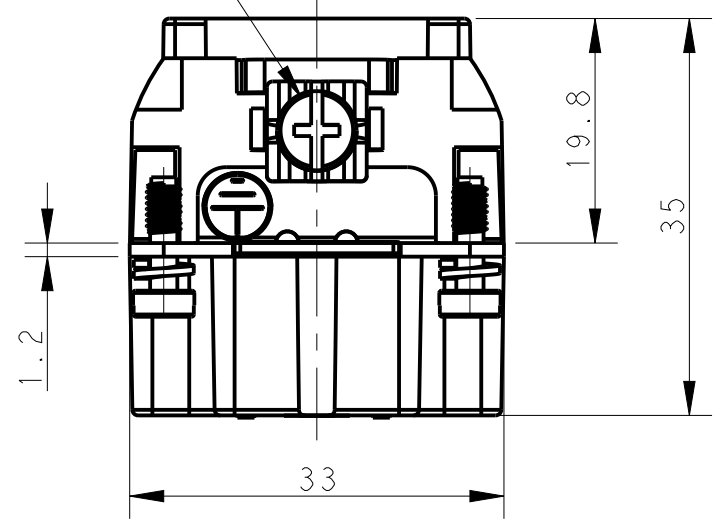
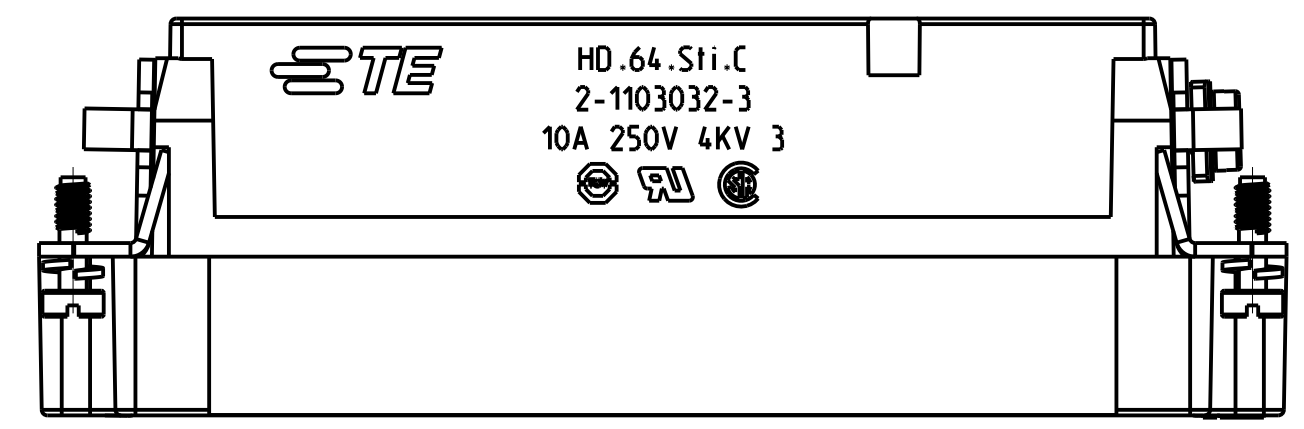


© 2020 TE Connectivity. All Rights Reserved.

| REVISIONS |     |               |           |     |      |
|-----------|-----|---------------|-----------|-----|------|
| P         | LTR | DESCRIPTION   | DATE      | DWN | APVD |
| C         |     | ECR-20-005011 | 06APR2020 | QY  | JB   |
| D         |     | ECR-20-007704 | 03JUN2020 | QY  | JB   |
| D1        |     | ECR-20-016724 | 25NOV2020 | QY  | JB   |



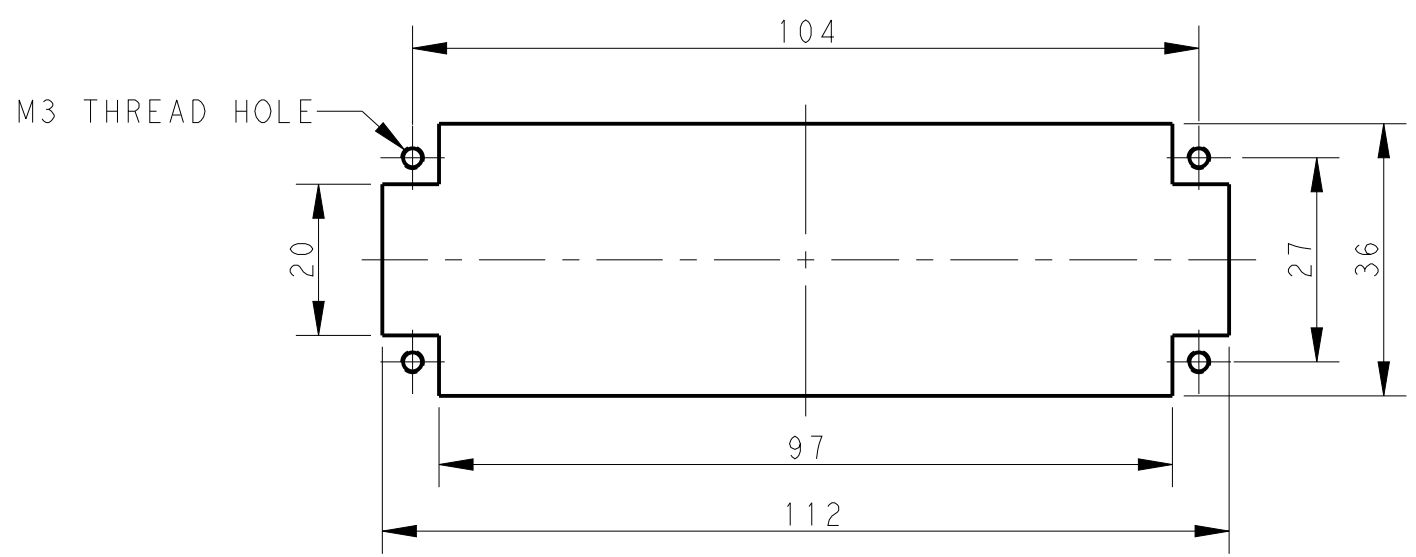
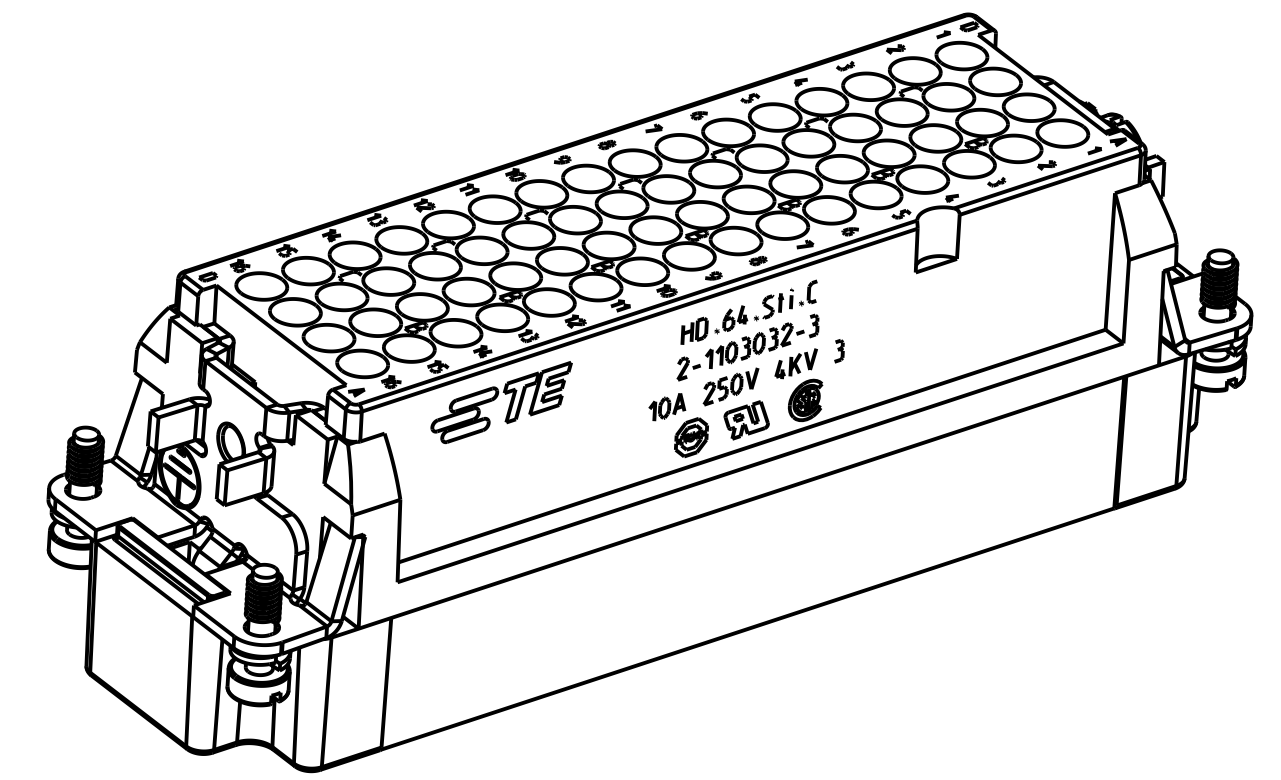
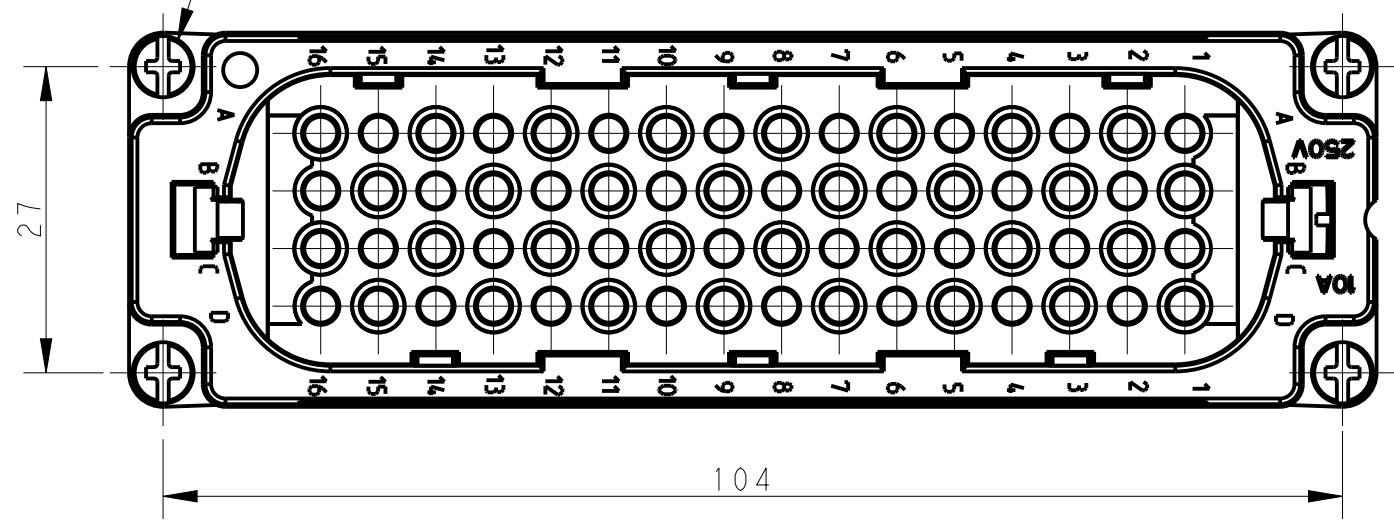
M4 SCREW RECOMMENDED  
TIGHTENING TORQUE 1.2Nm  
M4螺丝, 推荐锁紧力矩1.2Nm



NOTES:  
1. TECHNICAL CHARACTERISTICS:  
INSULATION MATERIAL: PC  
RATED VOLTAGE: 250V  
RATED CURRENT: 10A  
INSULATION RESISTANCE: >=400MΩ  
RATED IMPULSE VOLTAGE: 4KV  
POLLUTION DEGREE: 3  
MATING CYCLES: 500 CYCLES  
TEMPERATURE RANGE: -40~+125°C  
WIRE RANGE: 0.14mm<sup>2</sup>~2.5mm<sup>2</sup> (AWG26-AWG14)  
2. CONTACT NEED TO BE ORDERED SEPARATELY.

注释:  
1. 技术参数:  
绝缘材料: PC  
额定电压: 250V  
额定电流: 10A  
绝缘电阻: >=400MΩ  
脉冲电压: 4KV  
污染等级: 3  
插拔次数: 500 次  
温度范围: -40~+125°C  
接线范围: 0.14mm<sup>2</sup>~2.5mm<sup>2</sup> (AWG26-AWG14)  
2. 端子需要单独订购.

4X M3 SCREW  
RECOMMENDED TIGHTENING TORQUE 0.5Nm  
4X M3 螺丝, 推荐锁紧力矩0.5Nm



PANEL CUT FOR INSERTS FOR USE  
WITHOUT HOODS/ HOUSINGS  
不使用防护外壳时芯件的安装开孔图

|                   |                        |  |
|-------------------|------------------------|--|
| 2-1103032-3       | HD.64.Sti.C            | HD-064 MALE INSERT FOR STAMPED CONTACT TYPE<br>HD-064 公插, 卷皮针型 (HTS) |
| PART NUMBER<br>料号 | PART DESCRIPTION<br>描述 |  |

|   |  |                                   |                         |           |
|---|--|-----------------------------------|-------------------------|-----------|
| THIS DRAWING IS A CONTROLLED DOCUMENT.              |  | DWN<br>QIANG YUAN<br>08JAN2020    | TE Connectivity         |           |
| DIMENSIONS:<br>mm                                   |  | CHK<br>JAN BREDDOW<br>08JAN2020   |                         |           |
| TOLERANCES UNLESS OTHERWISE SPECIFIED:              |  | APVD<br>MARCIN KOMAR<br>08JAN2020 | NAME<br>HD.64.Sti.C     |           |
| 0 PLC ±<br>1 PLC ±<br>2 PLC ±<br>3 PLC ±<br>4 PLC ± |  | PRODUCT SPEC<br>108-74002         | SIZE<br>A200779         |           |
| MATERIAL<br>-                                       |  | APPLICATION SPEC<br>114-74000     | DRAWING NO<br>C-1103032 |           |
| ANGLES<br>FINISH<br>-                               |  | WEIGHT<br>-                       | RESTRICTED TO<br>-      |           |
| CUSTOMER DRAWING                                    |  | SCALE<br>3:2                      | SHEET<br>1 OF 1         |           |
|   |  |                                   |                         | REV<br>D1 |

## X-ON Electronics

Largest Supplier of Electrical and Electronic Components

*Click to view similar products for [Heavy Duty Power Connectors](#) category:*

*Click to view products by [TE Connectivity](#) manufacturer:*

Other Similar products are found below :

[647757-1](#) [6643411-1](#) [6646058-2](#) [6646137-1](#) [6646138-1](#) [6646479-1](#) [6646608-1](#) [6646786-1](#) [6646940-1](#) [6651091-1](#) [6651525-1](#) [6651529-1](#)  
[6651788-1](#) [696475-1](#) [702-32-01109](#) [703-25-02205](#) [73000005059](#) [73000005642](#) [73080255059](#) [73080965046](#) [765-15-0080A](#) [765-16-0080B](#)  
[765-18-0080D](#) [829992-1](#) [902-77-02113](#) [PS00/A0620/6300](#) [PS25/A0420/63](#) [129-1J](#) [1409400](#) [AN0024023](#) [E6374G1](#) [e6389g2](#) [157-43GW8](#)  
[MS3117-14AC](#) [1643543-1](#) [1650540-1](#) [1651811-2](#) [1766260-1](#) [1766282-1](#) [1766966-1](#) [1791340000](#) [NLDFT-3-BL-L-S120-M40A](#) [NLDFT-N-](#)  
[W-L-C240-M40B](#) [NLS-2-R-C240-M40B](#) [NLS-N-W-C240-M40B](#) [NPS-3-BL-T6](#) [1986615-1](#) [2-1589900-8](#) [2199314-1](#) [KA8102](#)