

LOC	DIST	REVISIONS					
GP	00	P	LTN	DESCRIPTION	DATE	DWN	APVD
		D2		REVISED PER ECO-14-008091	13MAY2014	PP	SH
		D3		REVISED PER ECO-15-000306	08JAN2015	PP	SH
		D4		REVISED PER ECO-15-013454	16SEP2015	pp	SH
		E		REVISED PER ECO-19-005806	12JUN2019	IT	SH

1 MATERIAL:
 CAGE - NICKEL SILVER ALLOY 0.25 THK.
 EMI SPRINGS - COPPER ALLOY

2 FINISH:
 2110304-5 CAGE - 1.27um MIN TIN OF SOLDER TAIL
 EMI SPRINGS - 0.8um MIN MATTE TIN OVER 0.8um MIN NICKEL
 NON-PLATED EDGES PERMISSIBLE.

3. MATES WITH SFP MSA COMPLIANT TRANSCEIVERS.

4 PADS AND VIAS CHASSIS GROUND.

5 DATUM AND BASIC DIMENSION ESTABLISHED BY CUSTOMER.

6. MINIMUM PC BOARD THICKNESS:
 SINGLE SIDED = 1.50 mm.

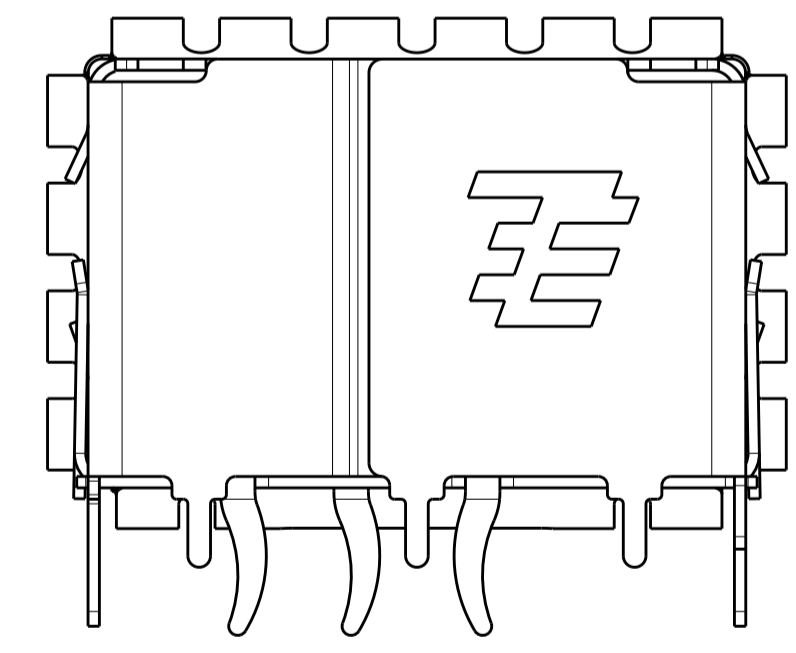
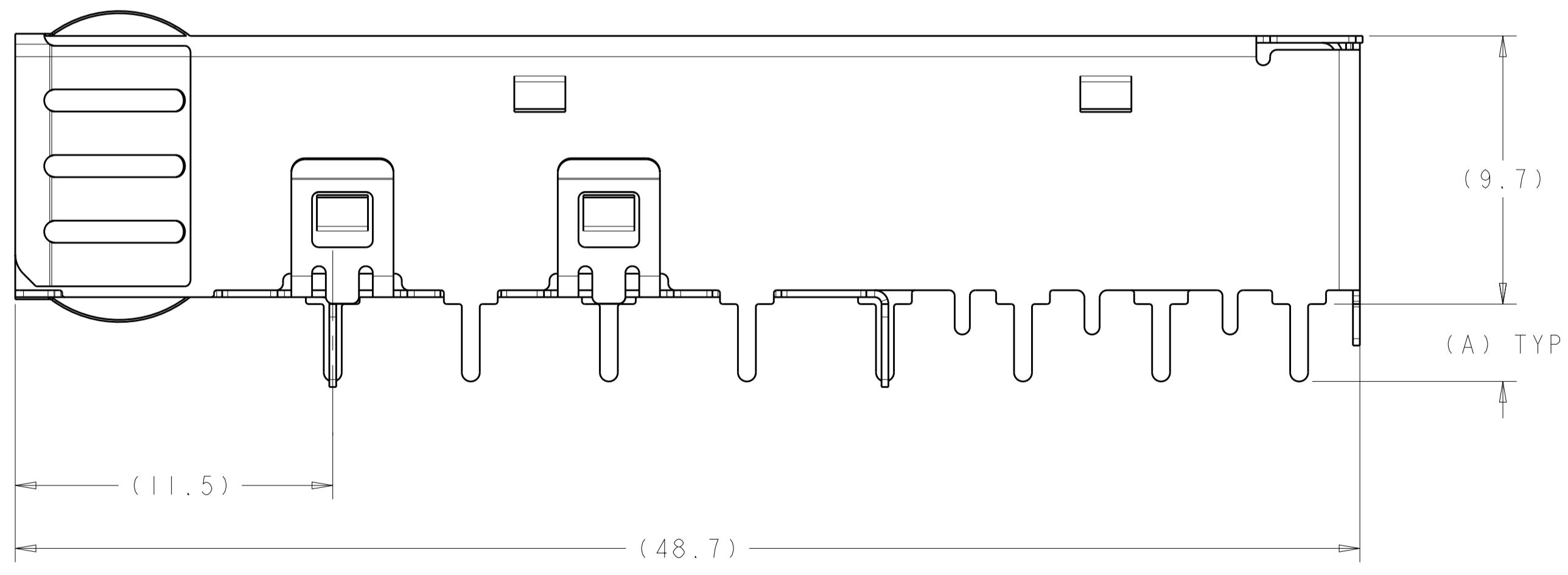
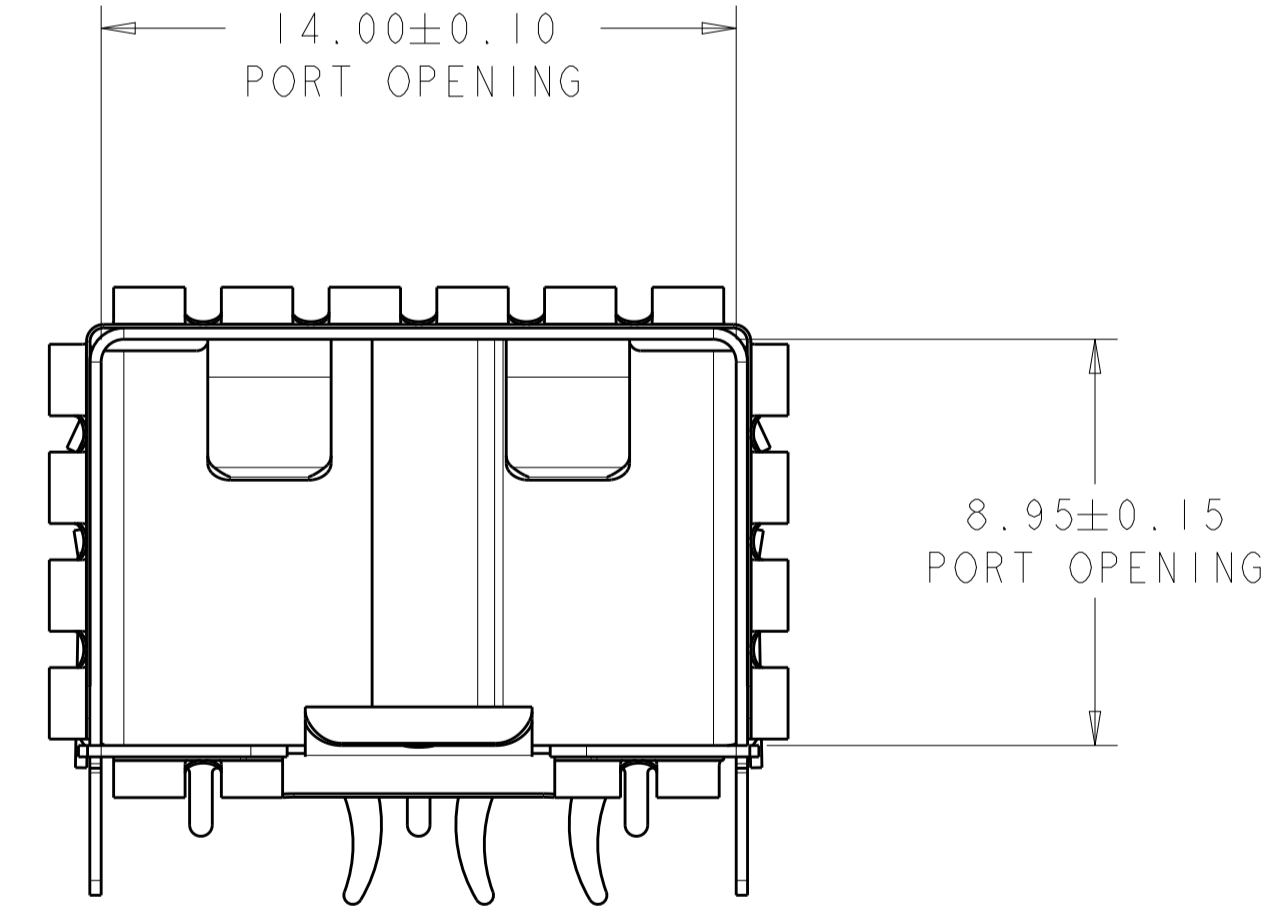
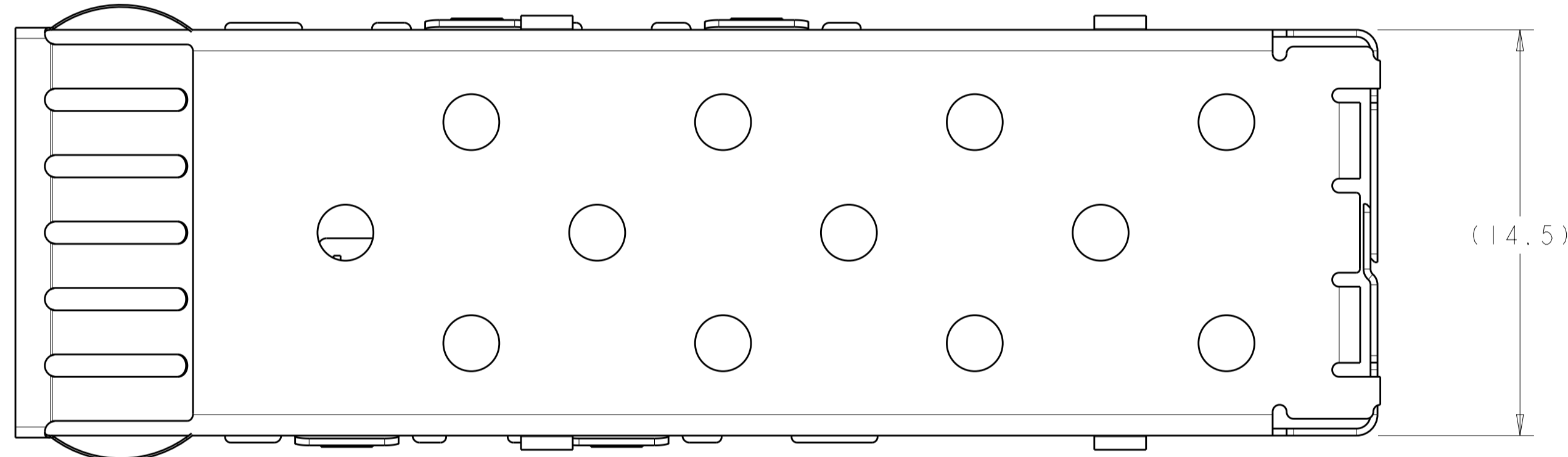
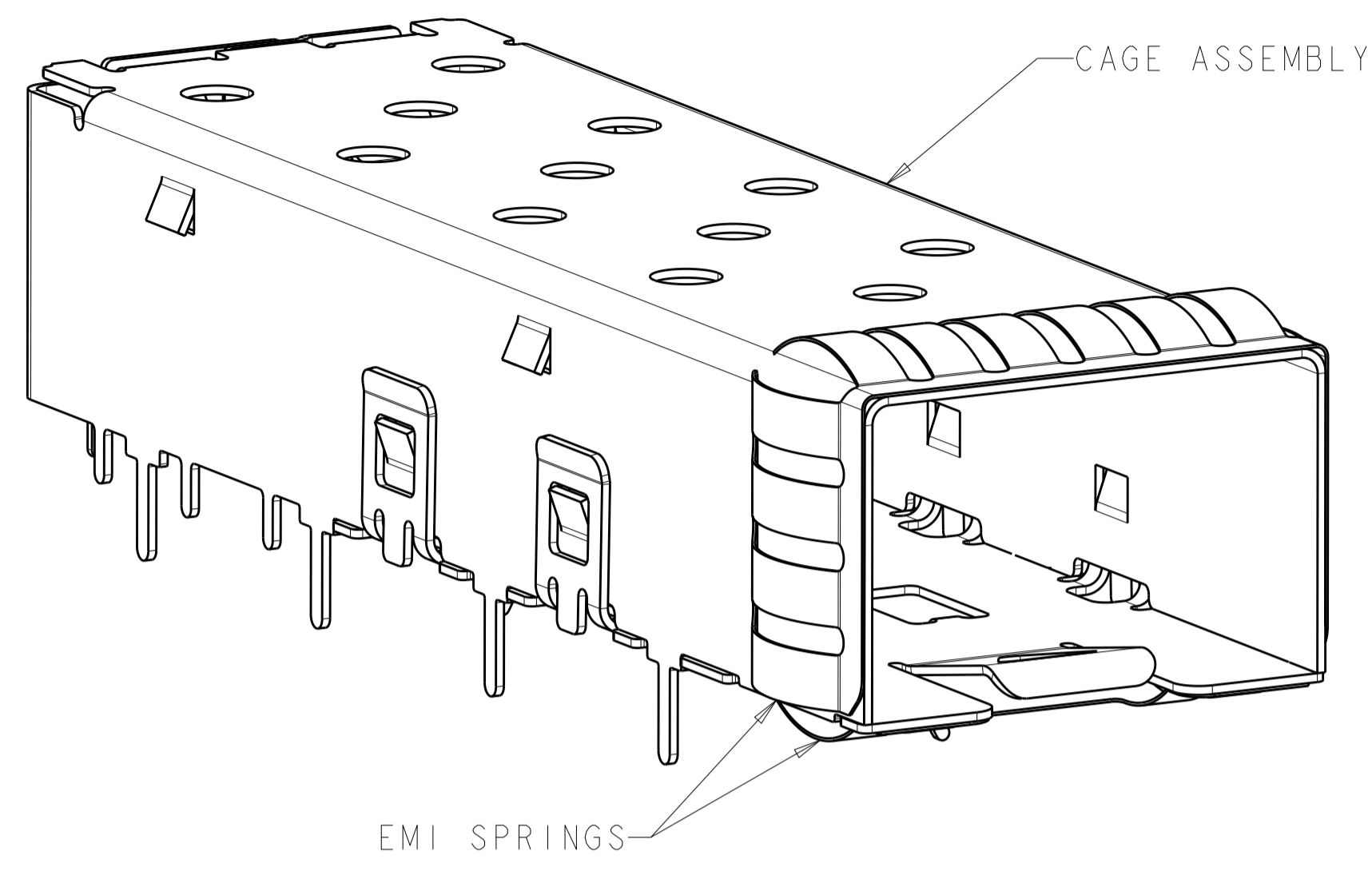
7. NOTE DELETED

8 PACKAGE TYPE IS TAPE AND REEL.

9 FOR ESD PROTECTION TAPE AND REEL PACKAGE ONLY.
 MATERIALS(COVER TAPE,EMBOSS TAPE,REEL,INNER LABEL ON REEL) USED WITH AN EPA AREA
 MUST PRIMARILY BE ELECTROSTATIC CONDUCTIVE OR ELECTROSTATIC DISSIPATIVE.
 NO MATERIAL SHOULD BE CHARGED UP TO MORE THAN 100 VOLTS.

10 ALL SOLDER PIN SHOULD BE TIN DIPPED.

11 PACKAGE TYPE IS TAPE AND REEL WITH POCKET PITCH 24MM



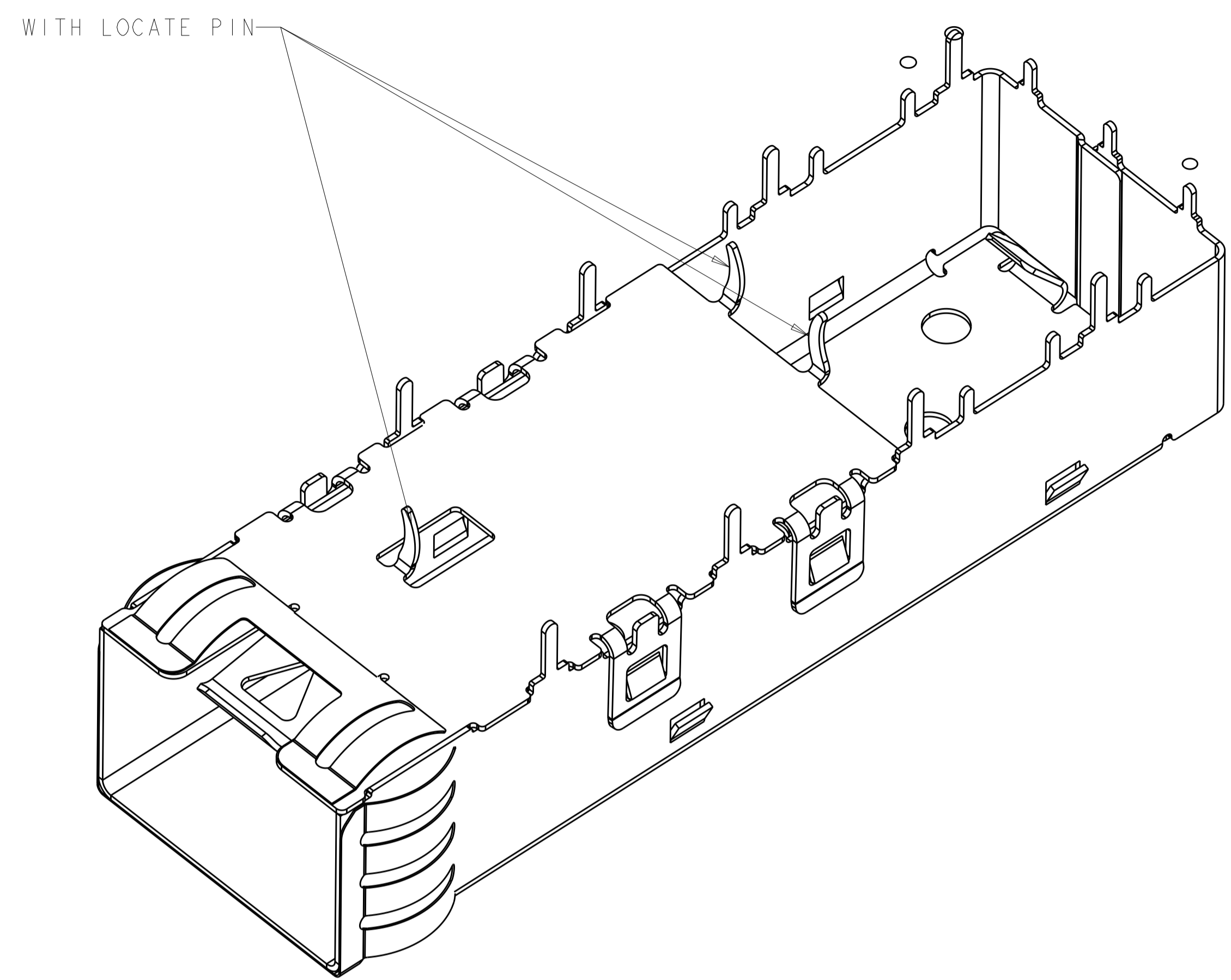
8	2.00	2110304-8
OBSOLETE	1.20	2110304-7
OBSOLETE	2.80	2110304-6
8	2.80	2110304-5
	2.00	2110304-3
	2.80	2110304-1
	DIM A	PART NUMBER

THIS DRAWING IS A CONTROLLED DOCUMENT.

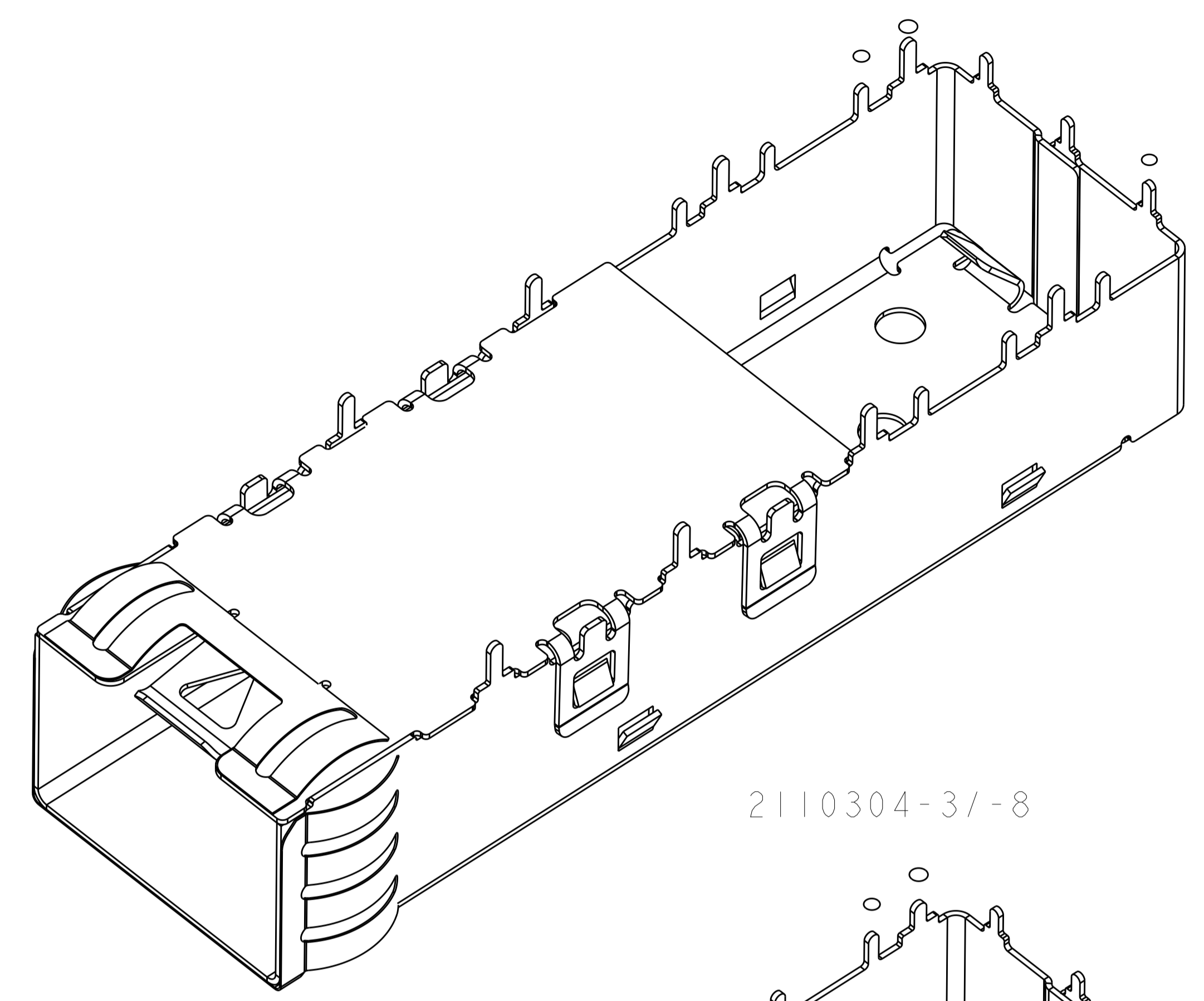
DIMENSIONS:	TOLERANCES UNLESS OTHERWISE SPECIFIED:	DWN C. ROHLER 13FEB2009
mm	0 PLC ±0.1 1 PLC ±0.5 2 PLC ±0.5 3 PLC ±0.13 4 PLC ±0.13	CHK M. SCHMITT 13FEB2009
		APVD B. WERTZ 13FEB2009
MATERIAL	FINISH	NAME SFP+ IXI CAGE ASSEMBLY, SOLDER TAIL, EMI SPRINGS
		PRODUCT SPEC
		APPLICATION SPEC
		SIZE 114-13120
		WEIGHT
		Customer Drawing

SCALE 6:1 SHEET 1 OF 4 REV E

LOC		DIST		REVISIONS			
GP	00	P	LYR	DESCRIPTION	DATE	DWN	APVD
-	-	-	-	SEE SHEET 1	-	-	-

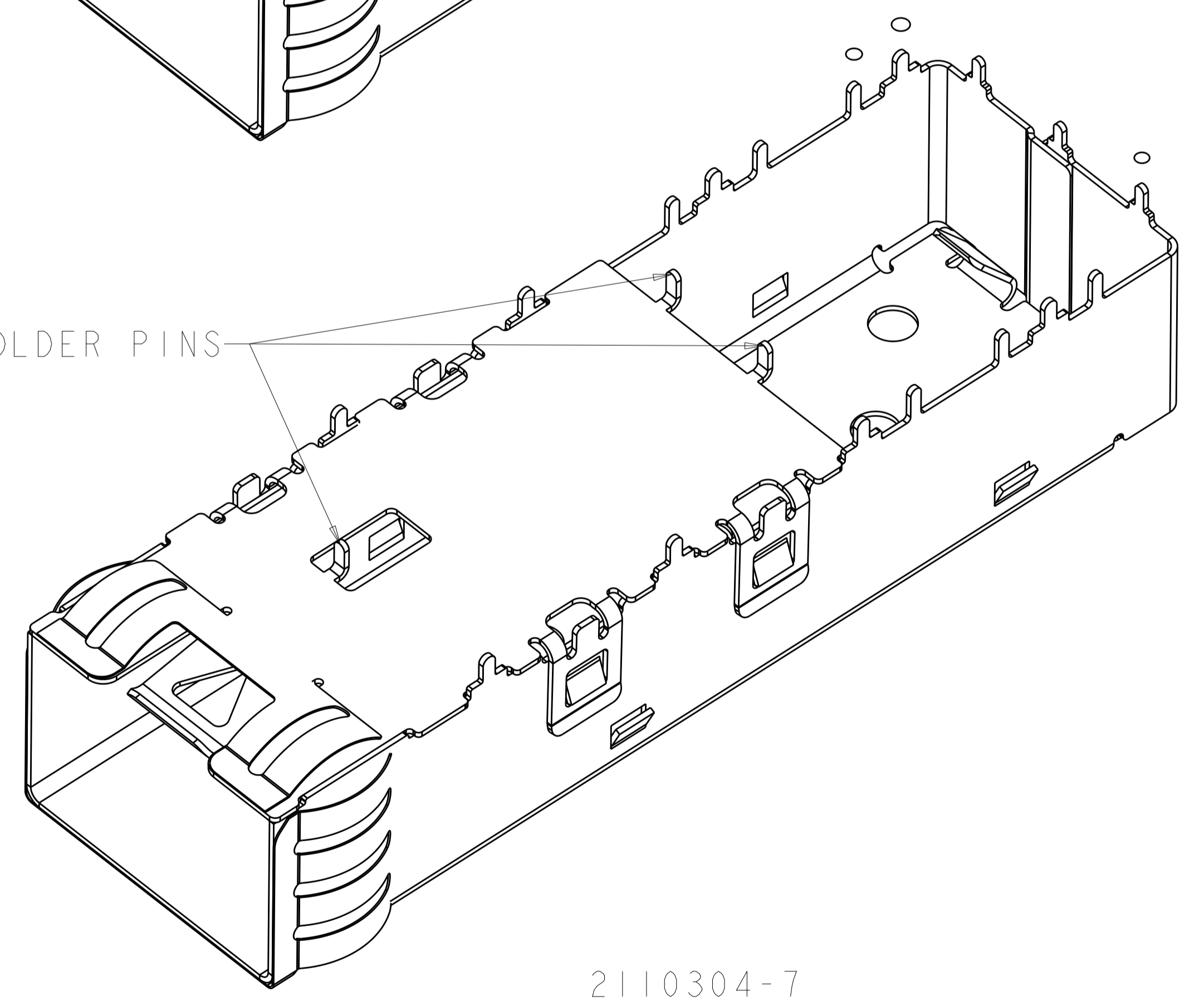


2110304-1/-5/-6

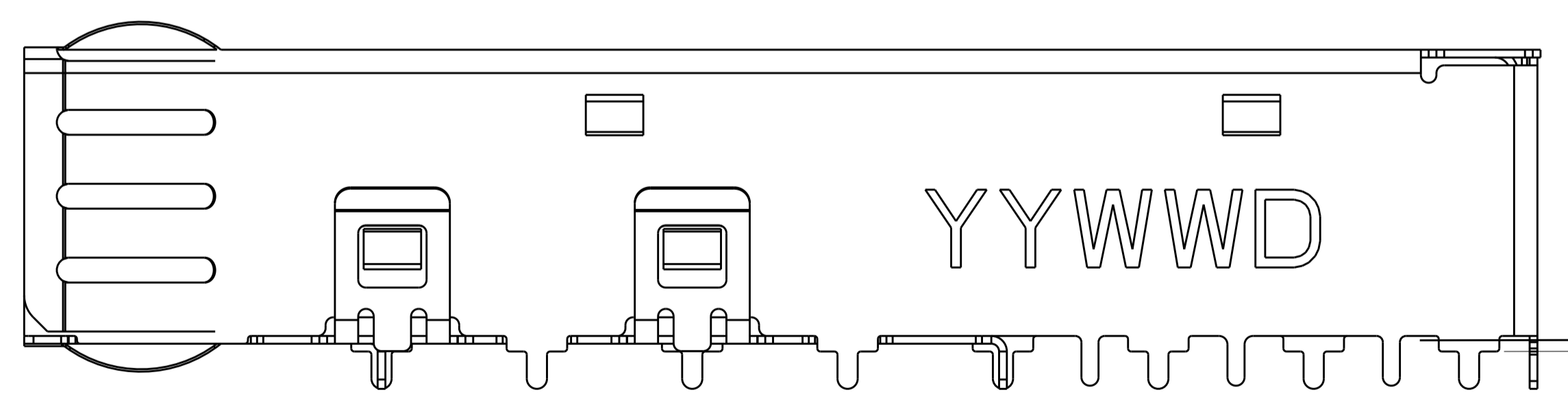


2110304-3/-8

WITH SOLDER PINS



2110304-7



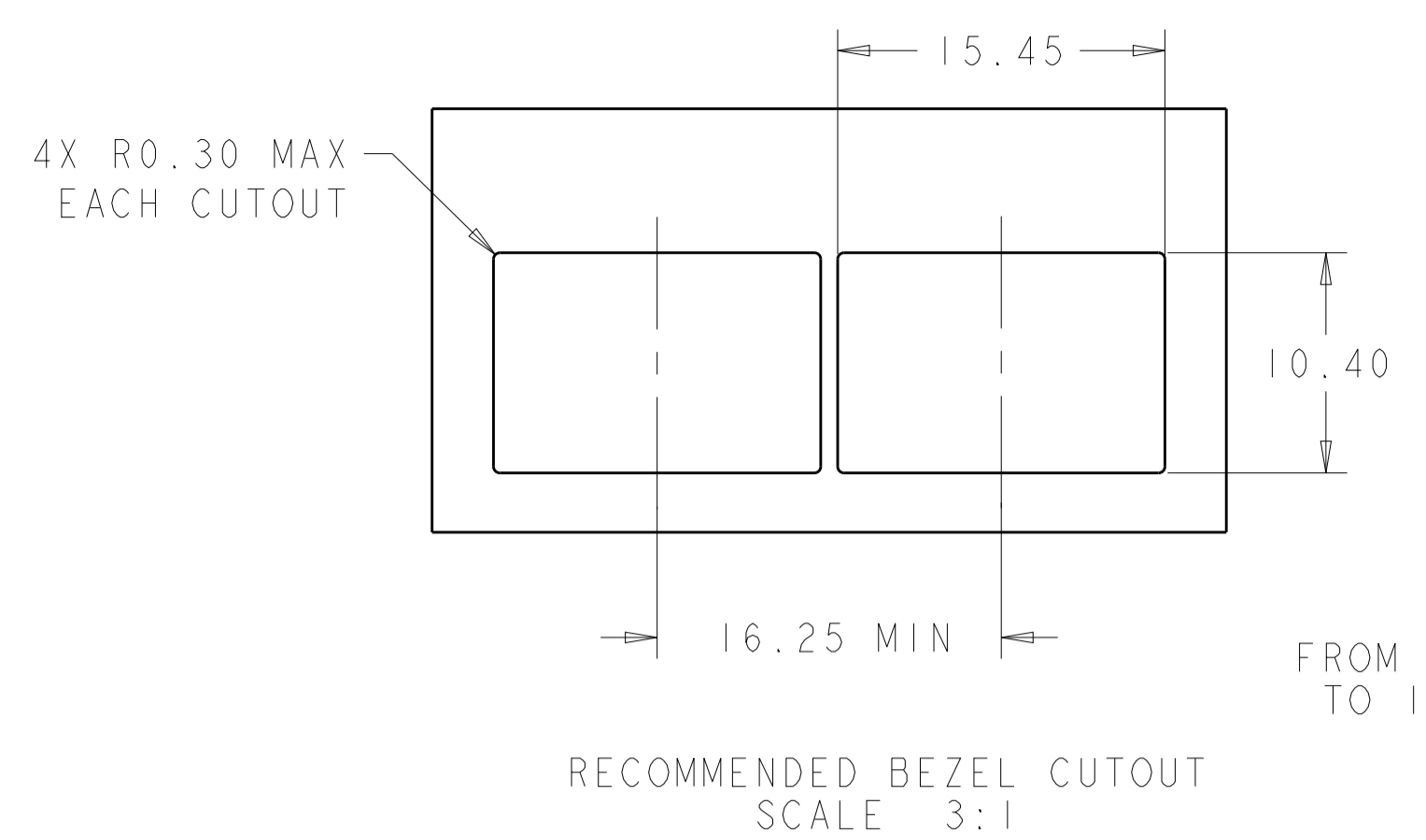
0.3MAX
TIN DIPPED ON
STAND OFF

2110304-7
DISTANCE FOR TIN DIPPED ON STAND OFF

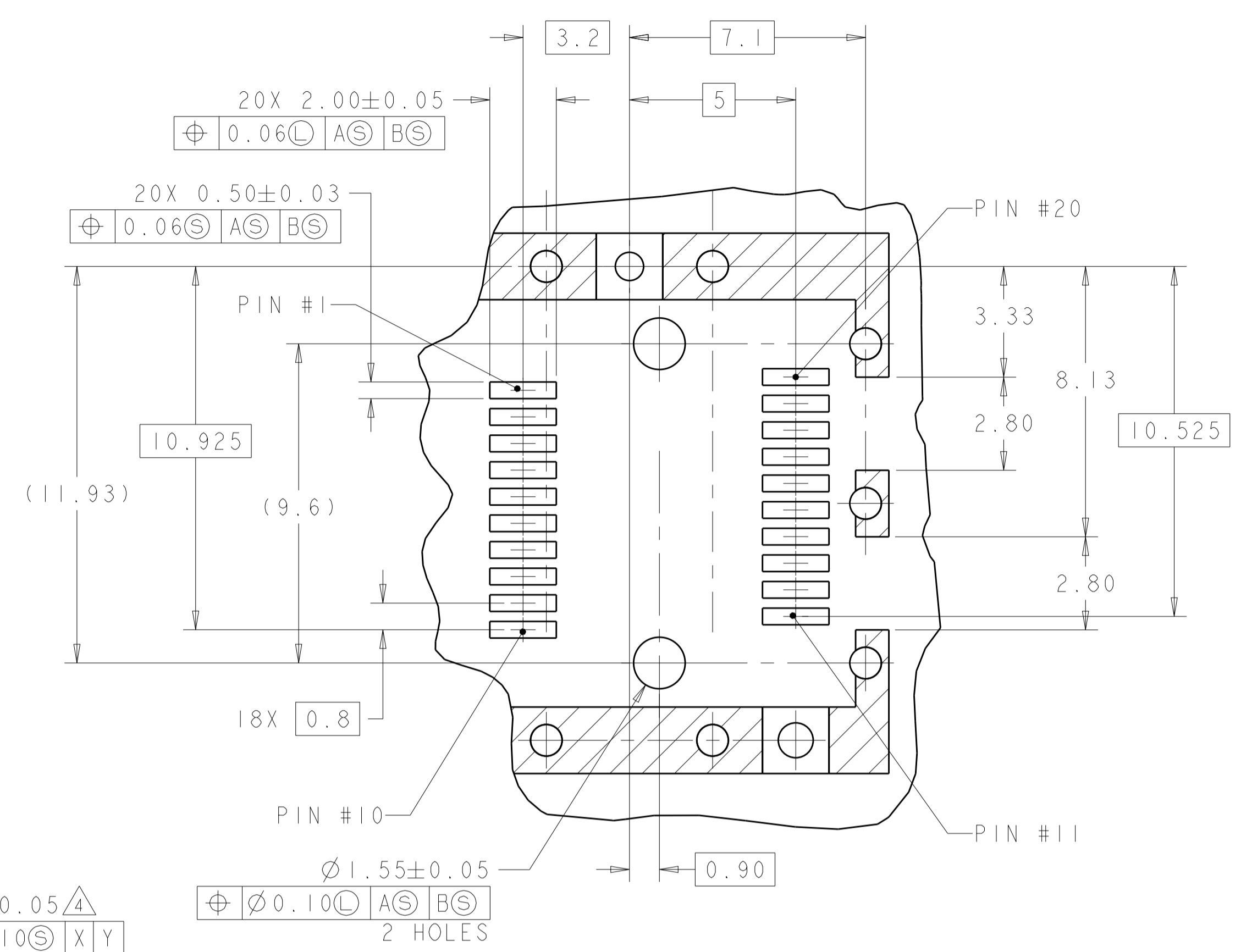
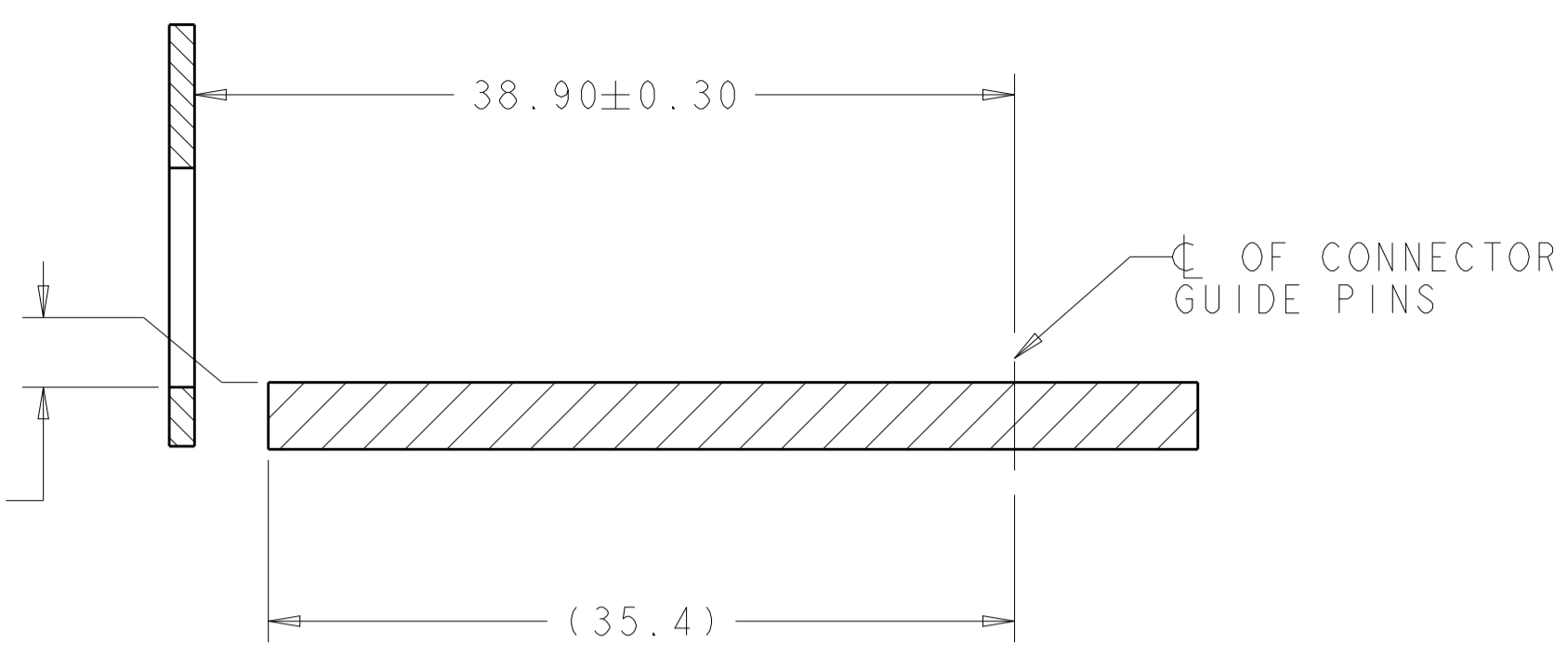
THIS DRAWING IS A CONTROLLED DOCUMENT.		DWN	C. ROHLER	13FEB2009	STE TE Connectivity
DIMENSIONS:		CHK	M. SCHMITT	13FEB2009	
mm	TOLERANCES UNLESS OTHERWISE SPECIFIED:	APVD	B. WERTZ	13FEB2009	NAME
0 PLC	±0.1	PRODUCT SPEC			SFP+ IXI CAGE ASSEMBLY, SOLDER TAIL, EMI SPRINGS
1 PLC	±0.5	APPLICATION SPEC			SIZE
2 PLC	±0.5	114-13120			CAGE CODE
3 PLC	±0.13	WEIGHT			DRAWING NO
4 PLC	±0.13	Customer Drawing			A100779
ANGLES	±0.13	SCALE	6:1	SHEET	2 OF 4
FINISH		REV			E

LOC	DIST	REV	DATE	APPV
GP	00			

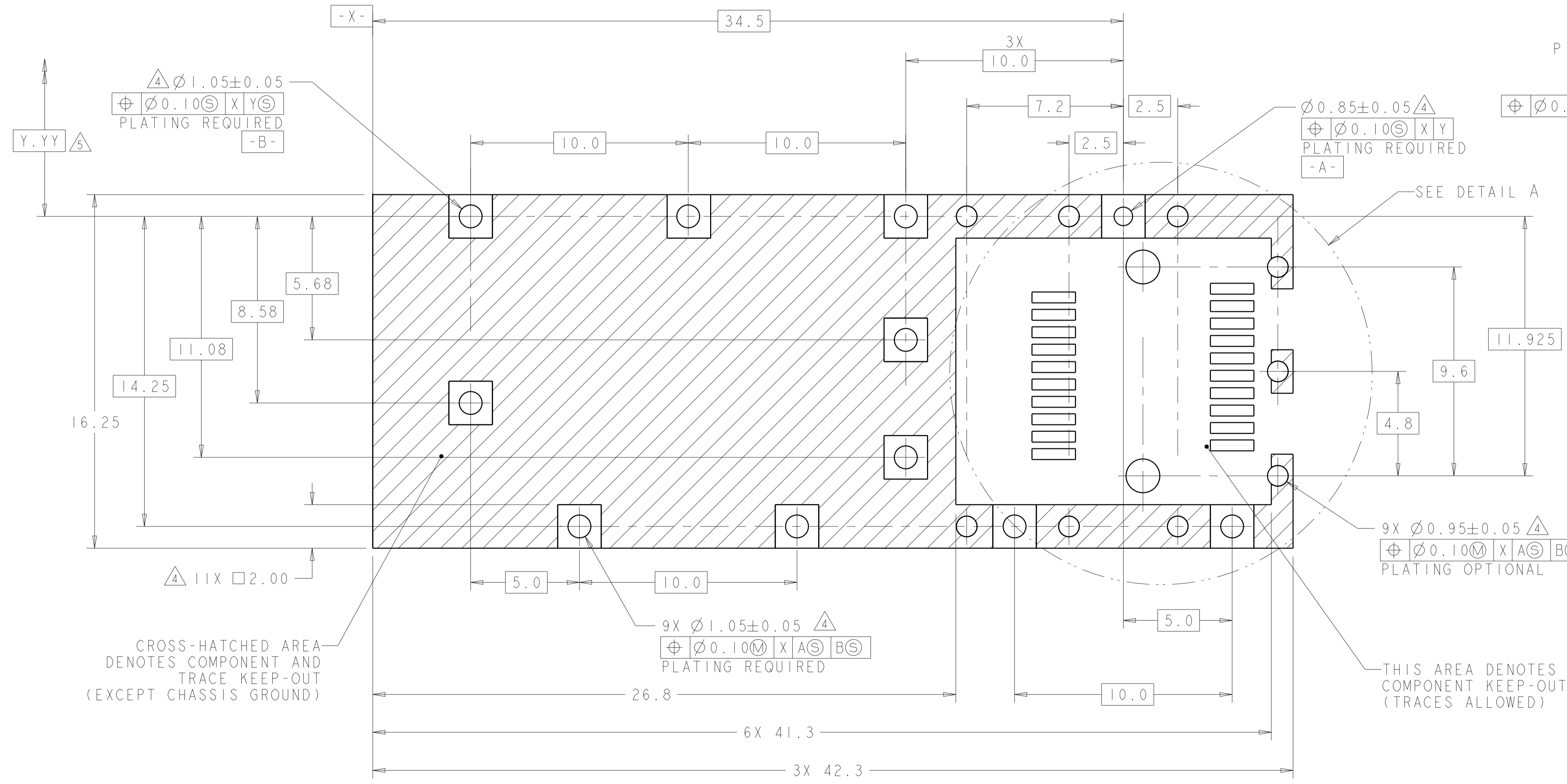
REVISIONS				
NO.	DESCRIPTION	DATE	BY	APPV
-	SEE SHEET 1	-	-	-



0.23^{+0.10}_{-0.14}
 FROM THE TOP OF PCB
 TO INSIDE OF BEZEL
 CUT-OUT



DETAIL A
 SCALE 8:1

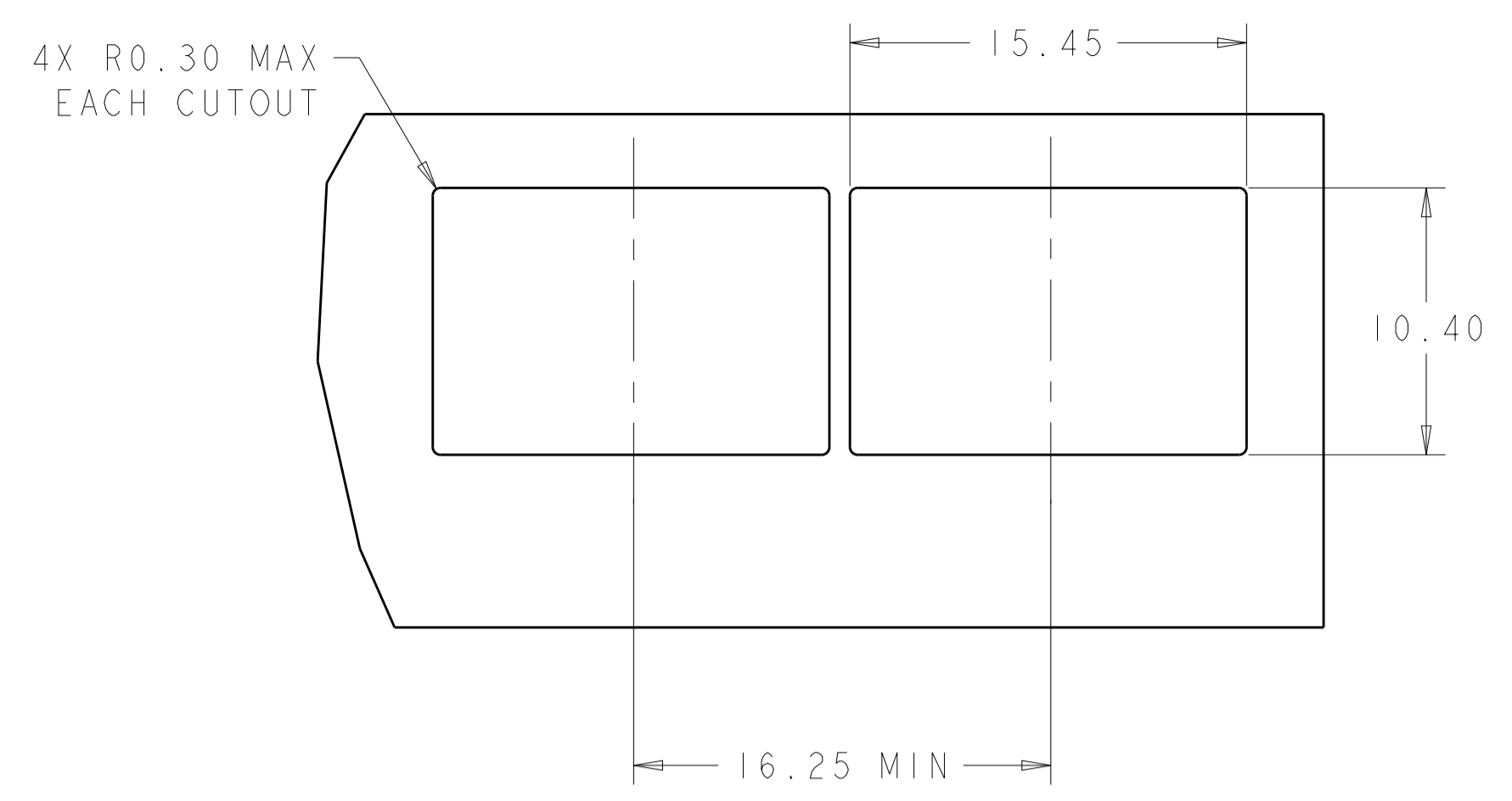


2110304-1/-5/-6/-7
 RECOMMENDED PCB LAYOUT
 SCALE 8:1

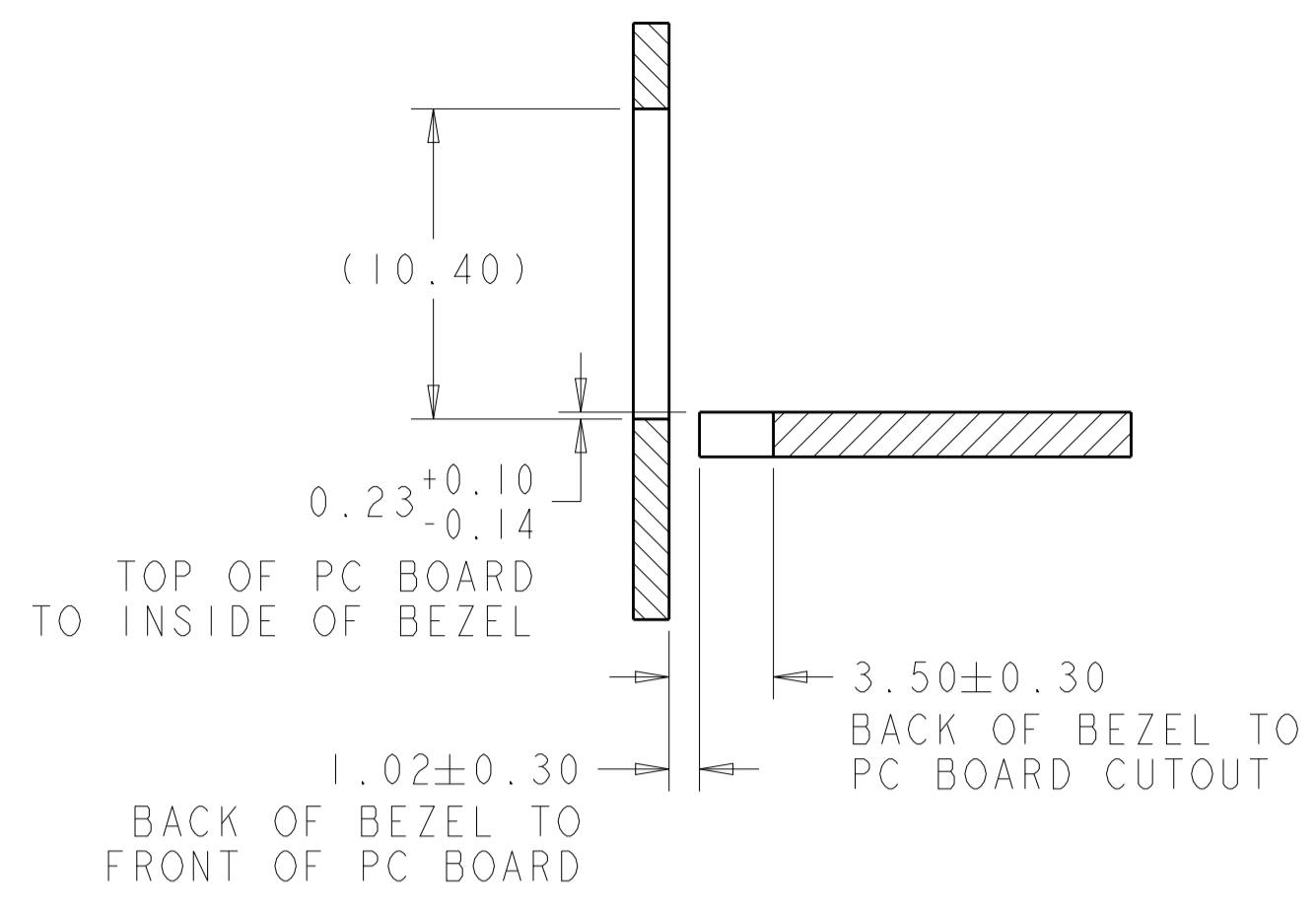
THIS DRAWING IS A CONTROLLED DOCUMENT.		DWN C. ROHLER 13FEB2009	 TE Connectivity
DIMENSIONS: mm		CHK M. SCHMITT 13FEB2009	
TOLERANCES UNLESS OTHERWISE SPECIFIED:		APPV B. WERTZ 13FEB2009	NAME SFP+ IXI CAGE ASSEMBLY, SOLDER TAIL, EMI SPRINGS
0 PLC ±0.1	1 PLC ±0.5	PRODUCT SPEC	SIZE 114-13120
2 PLC ±0.5	3 PLC ±0.5	APPLICATION SPEC	RESTRICTED TO
4 PLC ±0.13	5 PLC ±0.13	WEIGHT	A100779C=2110304
ANGLES ±0.13	FINISH	Customer Drawing	SCALE 6:1 SHEET 3 OF 4 REV E

LOC	DIST	REV	DATE	APPD
GP	00			

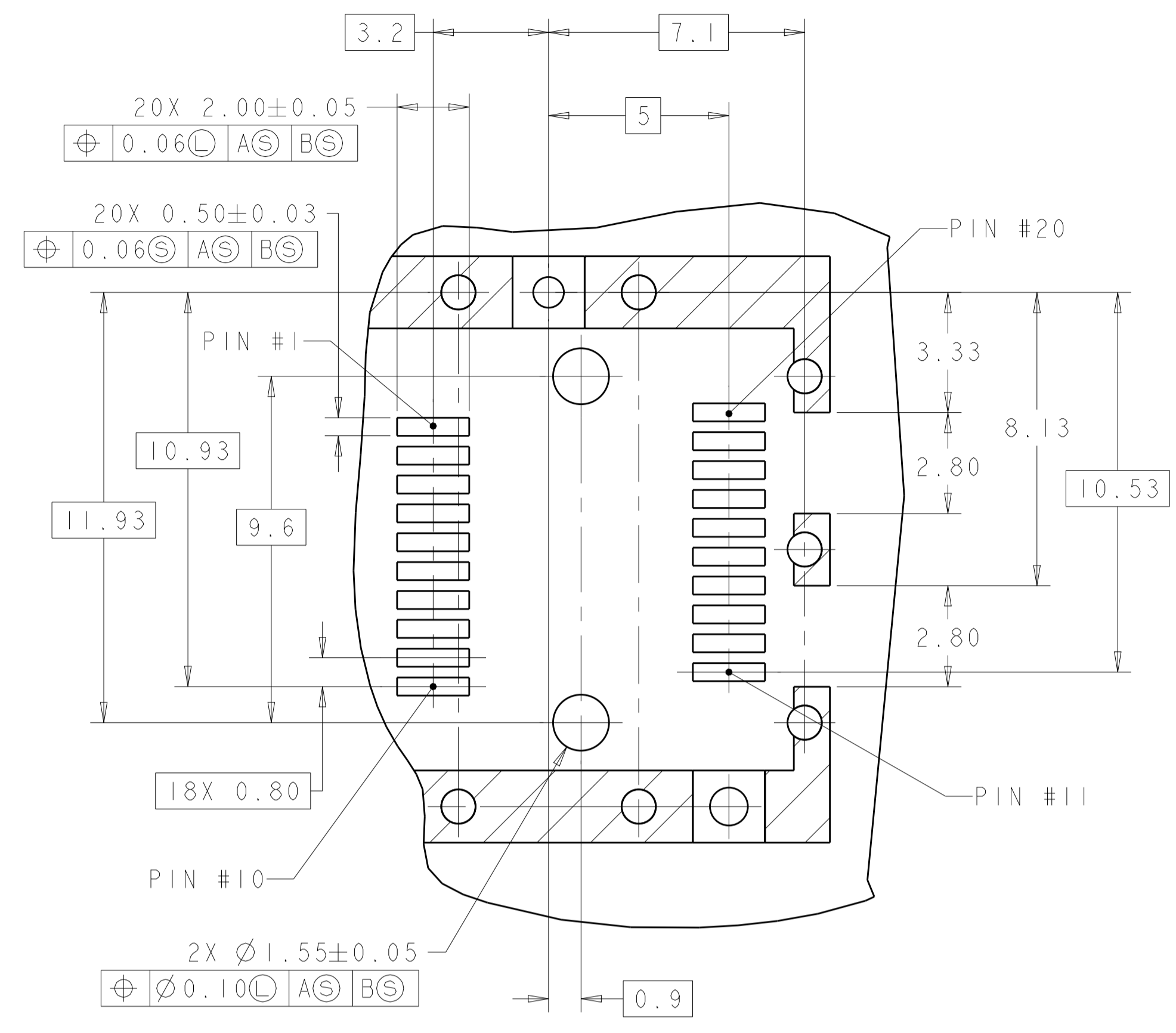
REVISIONS				
REV	DATE	APPD	DESCRIPTION	DATE
-	-	-	SEE SHEET 1	-



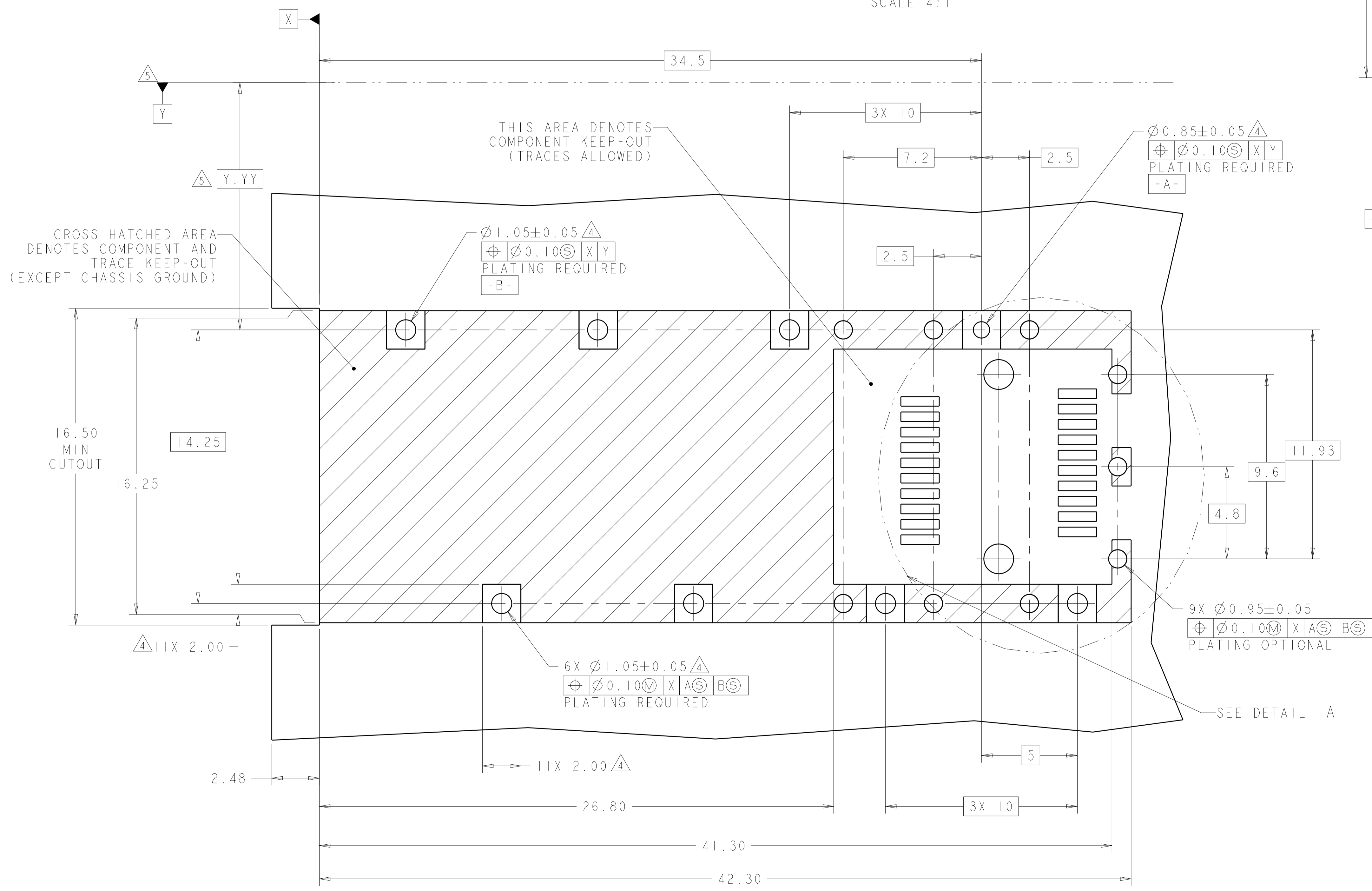
RECOMMENDED BEZEL CUTOUT
SCALE 4:1



RECOMMENDED BEZEL AND
PC BOARD ORIENTATION
SCALE 4:1



DETAIL A
SCALE 8:1



2110304-3/-8
RECOMMENDED PCB LAYOUT
SCALE 8:1

THIS DRAWING IS A CONTROLLED DOCUMENT.		OWN: C. ROHLER 13FEB2009	TE Connectivity
DIMENSIONS: mm		CHK: M. SCHMITT 13FEB2009	
TOLERANCES UNLESS OTHERWISE SPECIFIED:		APPD: B. WERTZ 13FEB2009	NAME: SFP+ IXI CAGE ASSEMBLY, SOLDER TAIL, EMI SPRINGS
0 PLC	±0.1	PRODUCT SPEC	SIZE: CAGE CODE DRAWING NO
1 PLC	±0.5	APPLICATION SPEC	RESTRICTED TO
2 PLC	±0.5	114-13120	A100779C=2110304
3 PLC	±0.13	WEIGHT	SCALE 1:1 SHEET 4 OF 4 REV E
4 PLC	±0.13	Customer Drawing	
ANGLES	±0.13		
FINISH			

X-ON Electronics

Largest Supplier of Electrical and Electronic Components

Click to view similar products for [I/O Connectors](#) category:

Click to view products by [TE Connectivity](#) manufacturer:

Other Similar products are found below :

[571763P](#) [58098-0628](#) [72.250.1628.2](#) [72.250.2428.2](#) [74720-0505](#) [76.350.0729.0](#) [76871-1403](#) [FCN-244F080-G/1](#) [FCN-260A9920](#) [PCR-E36PM](#) [PCS-XE26MA+](#) [G38A71314B](#) [1571250010](#) [157-22500-3](#) [MS3471L14-19P L/C](#) [172501-4002](#) [172501-6002](#) [FCN-260C008-A/L0](#) [FCN-260C024-AL0](#) [FCN-261Z008](#) [2000314-1](#) [200331-1](#) [PCR-E36FC+](#) [PCS-E28FS+](#) [PCS-XE26SLFD+](#) [PCS-XE26SLFDT+](#) [G730VID08BDC24](#) [U90B2054081210](#) [38113800006](#) [DP3AR020WQ1R200](#) [Z4.102.0680.0](#) [500-1040](#) [500-1052](#) [500-1054](#) [ZP-4008-66L](#) [0709821002](#) [DX40-20P\(55\)](#) [5554841-1](#) [MS3474W18-8P-LC*](#) [U90B3054061110](#) [U65-E04-4020](#) [ZPF000000000097891](#) [747360449](#) [10099439-003C-TRLF](#) [10137239-0021LF](#) [E9320-001-01](#) [10137239-0011LF](#) [70289-001LF](#) [70.060.1028.0](#) [109029-ZZ](#)