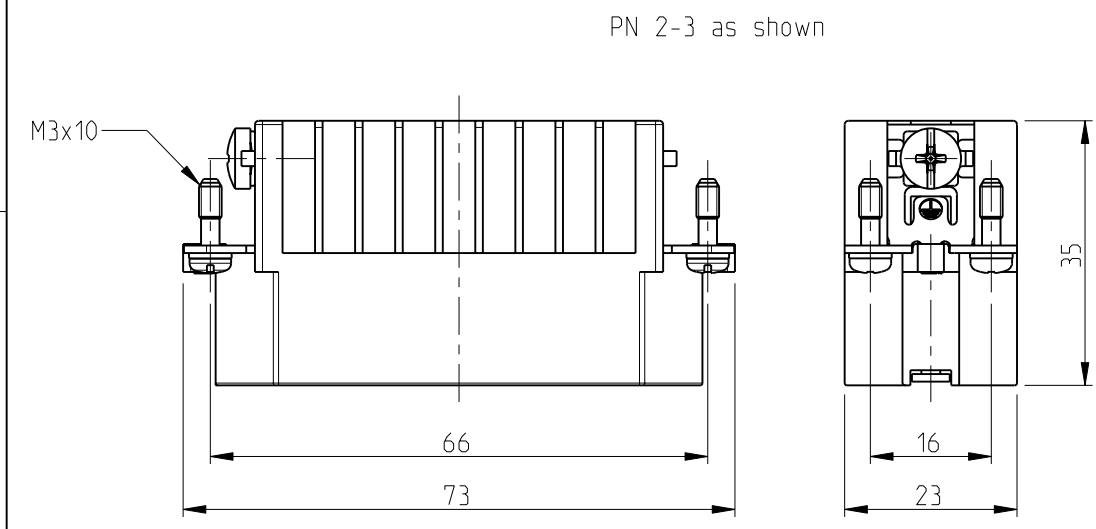
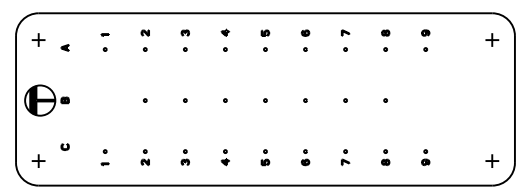


THIS DRAWING IS UNPUBLISHED. RELEASED FOR PUBLICATION .1997
 © COPYRIGHT 1997 BY TYCO ELECTRONICS CORPORATION. ALL RIGHTS RESERVED.

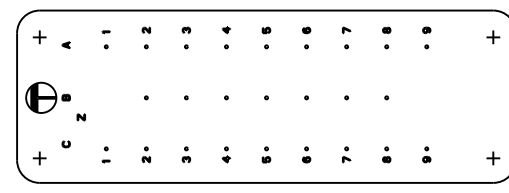
LOC	DIST	REVISIONS					
A1		P	LTR	DESCRIPTION	DATE	DWN	APVD
			A6	Released as per ECR-08-019210	31.Jul.2008	SP	TS



CONTACT ARRANGEMENT FOR PN 2-3 & 2-8
 VIEW FROM TERMINATION SIDE

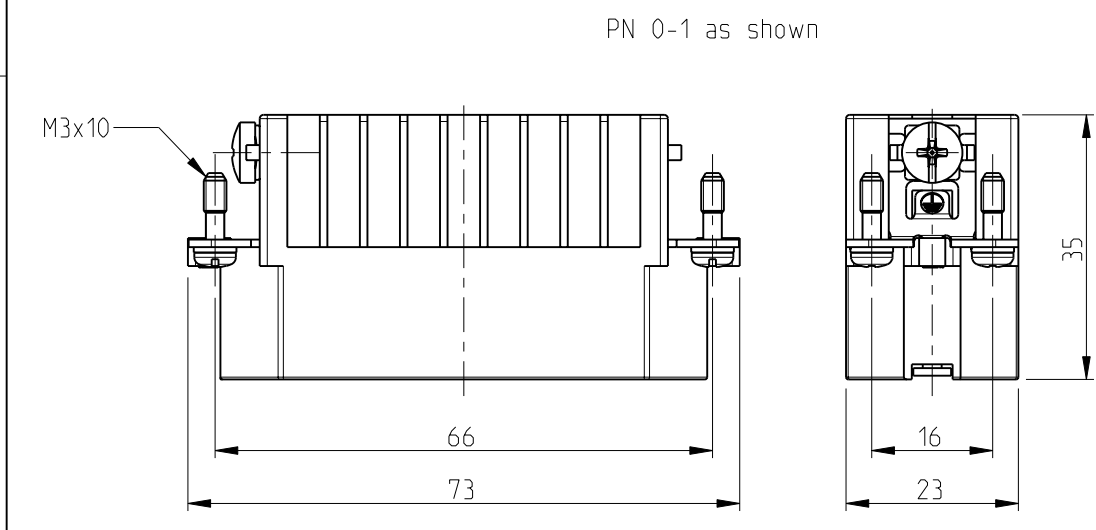


CONTACT ARRANGEMENT FOR PN 0-1
 VIEW FROM TERMINATION SIDE



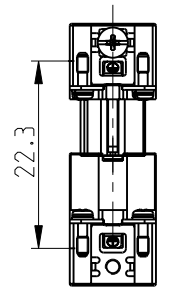
NOTES

- 1 Material: Insert , PC UL-File Nr : E101788(R)
- 2 Finish: Zinc plated contact: Ag, Au
- 3 Packaging quantity 5 pieces in a box.

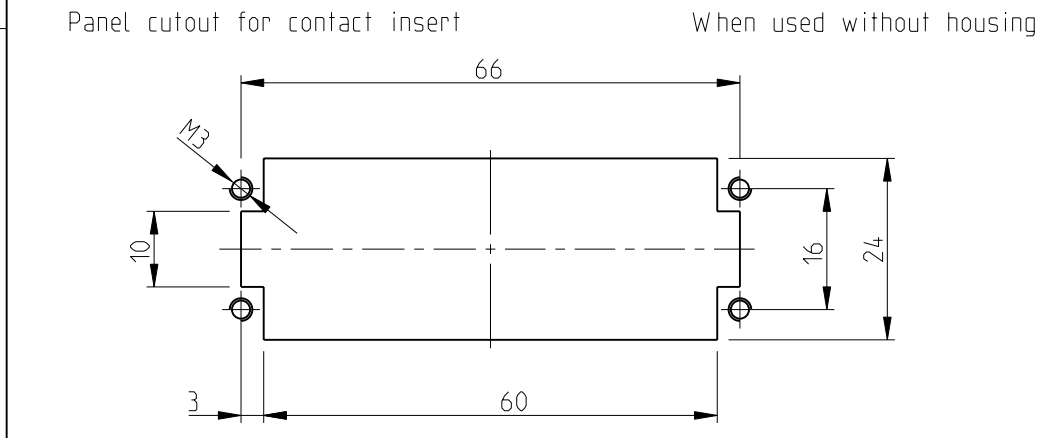
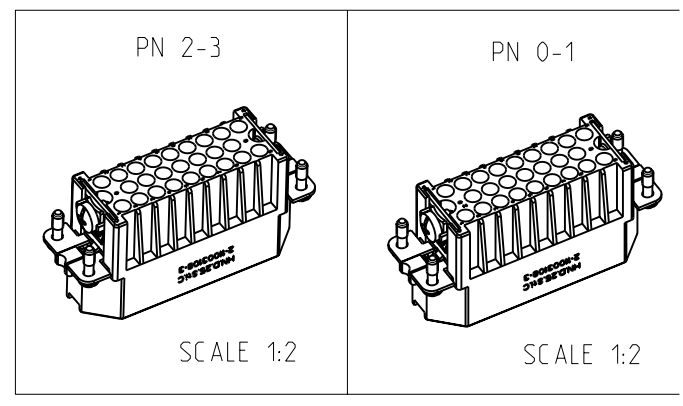


ASSEMBLING INSTRUCTION

Max. 24mm was away for safe contacting



SCALE 1:2



1	1	Male Insert HN.D25	Ryton	Dark Brown	2		
		Male Insert HN.D25	1	Dark Grey	1		
0-1	2-8	2-3	DESCRIPTION	MATERIAL	COLOR	ITEM NO	REMARKS
ORDERING TEXT							
HN.D25.Sti.C B1-25							
HN.D-RY.25.Sti.C B1-25							
HN.D25.Sti.C B1-25/Z							

THIS DRAWING IS A CONTROLLED DOCUMENT FOR TYCO ELECTRONICS CORPORATION IT IS SUBJECT TO CHANGE AND THE CONTROLLING ENGINEERING ORGANIZATION SHOULD BE CONTACTED FOR THE LATEST REVISION.		DWN	Schneider	03.11.1998	Tyco Electronics.AMP.GmbH D-53819.Neunkirchen.Germany
DIMENSIONS: mm		CHK	Schweiger	03.11.1998	
TOLERANCES UNLESS OTHERWISE SPECIFIED: n.ISO 8015: n.ISO 2768-mH-E: n.DIN 16901-120		APVD	-	-	NAME
0 PLC ±		PRODUCT SPEC	-	-	Male insert
1 PLC ±		APPLICATION SPEC	-	-	HN.D.25.Sti.C
2 PLC ±		WEIGHT	57 g	SIZE	A3
3 PLC ±		CAGE CODE	00779	DRAWING NO	1103108
4 PLC ±		RESTRICTED TO		SCALE	1:1
ANGLES ±		CUSTOMER DRAWING		SHEET	1 OF 1
FINISH				REV	A6

X-ON Electronics

Largest Supplier of Electrical and Electronic Components

Click to view similar products for [Heavy Duty Power Connectors](#) category:

Click to view products by [TE Connectivity](#) manufacturer:

Other Similar products are found below :

[647757-1](#) [6643411-1](#) [6646058-2](#) [6646137-1](#) [6646138-1](#) [6646479-1](#) [6646608-1](#) [6646786-1](#) [6646940-1](#) [6651091-1](#) [6651525-1](#) [6651529-1](#)
[6651788-1](#) [696475-1](#) [702-32-01109](#) [703-25-02205](#) [73000005059](#) [73000005642](#) [73080255059](#) [73080965046](#) [765-15-0080A](#) [765-16-0080B](#)
[765-18-0080D](#) [829992-1](#) [902-77-02113](#) [PS00/A0620/6300](#) [PS25/A0420/63](#) [129-1J](#) [1409400](#) [AN0024023](#) [E6374G1](#) [e6389g2](#) [157-43GW8](#)
[MS3117-14AC](#) [1643543-1](#) [1650540-1](#) [1651811-2](#) [1766260-1](#) [1766282-1](#) [1766966-1](#) [1791340000](#) [NLDFT-3-BL-L-S120-M40A](#) [NLDFT-N-](#)
[W-L-C240-M40B](#) [NLS-2-R-C240-M40B](#) [NLS-N-W-C240-M40B](#) [NPS-3-BL-T6](#) [1986615-1](#) [2-1589900-8](#) [2199314-1](#) [KA8102](#)