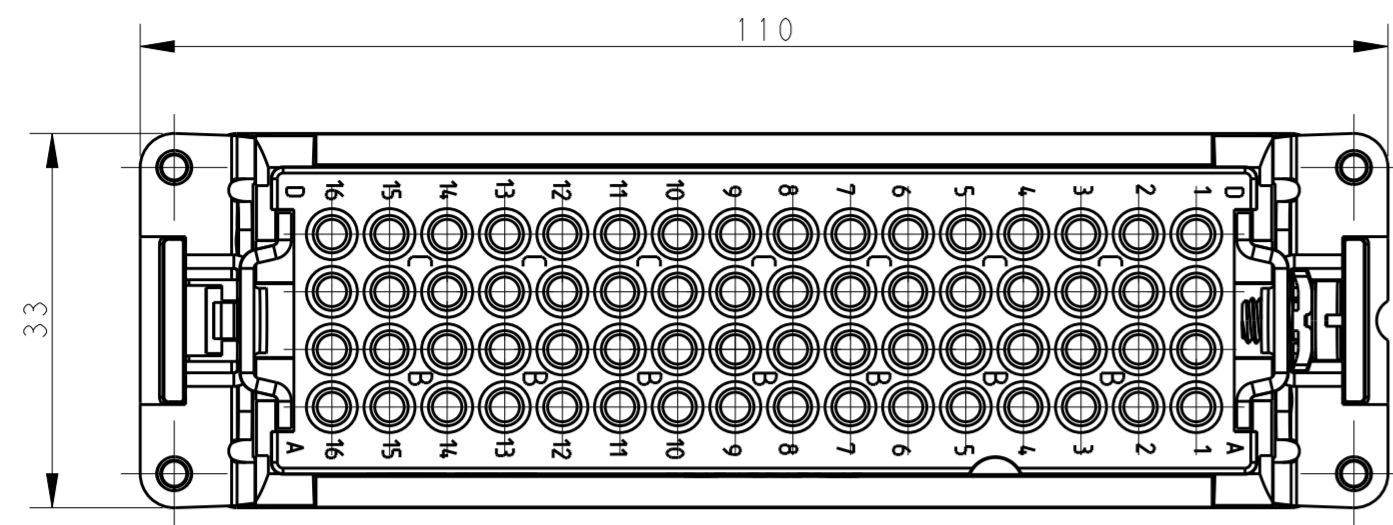
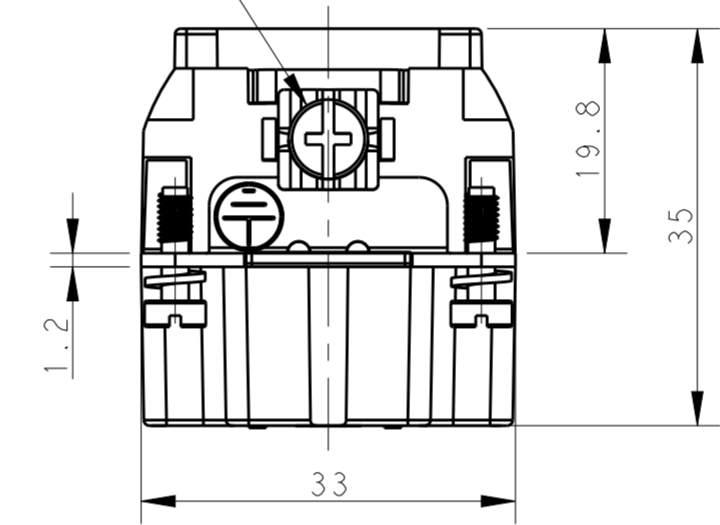


REVISIONS					
P	LTR	DESCRIPTION	DATE	DWN	APVD
B		ECR-20-005011	06APR2020	QY	JB
C		ECR-20-007704	03JUN2020	QY	JB
C1		ECR-20-016724	25NOV2020	QY	JB

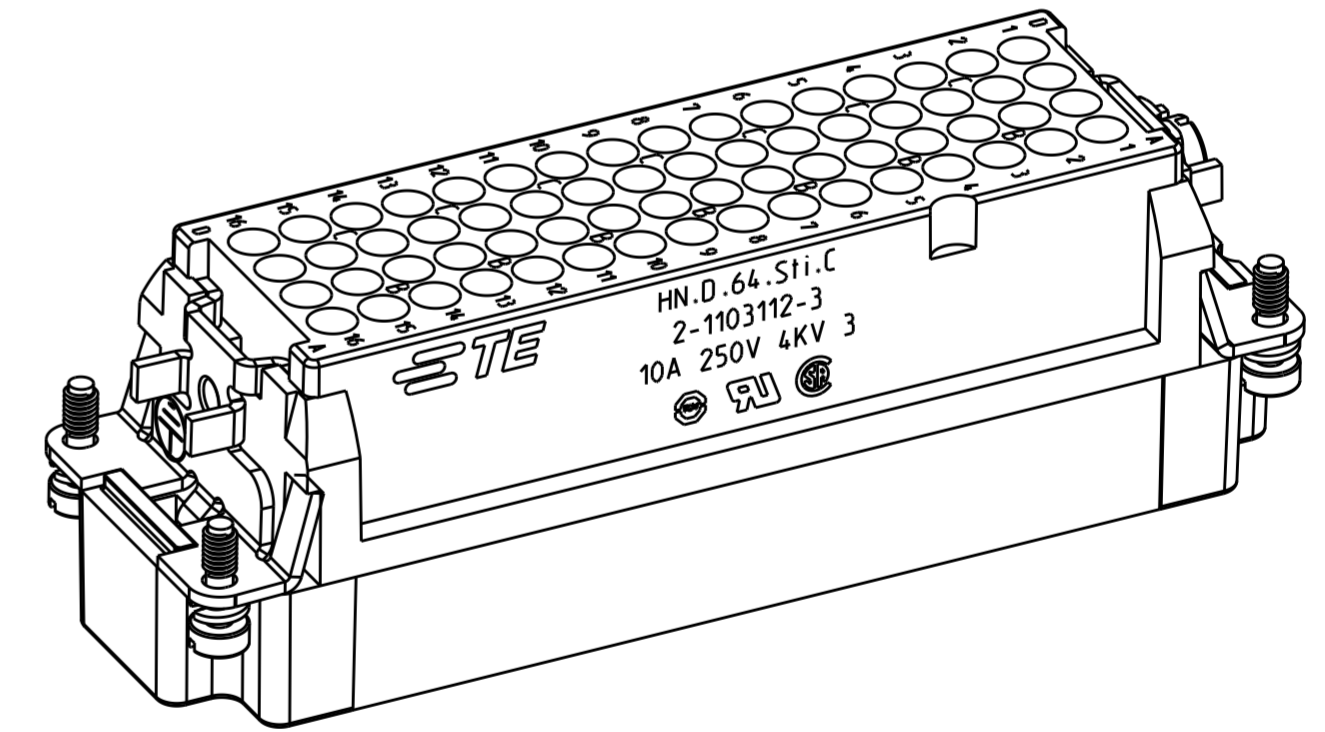
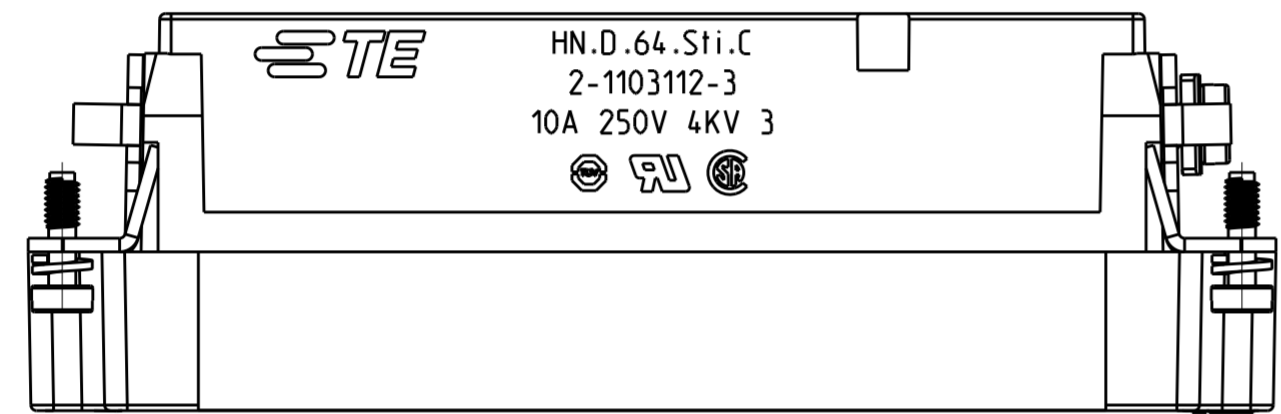


NOTES:
 1. TECHNICAL CHARACTERISTICS:
 INSULATION MATERIAL: PC
 RATED VOLTAGE: 250V
 RATED CURRENT: 10A
 INSULATION RESISTANCE: >=400MΩ
 RATED IMPULSE VOLTAGE: 4KV
 POLLUTION DEGREE: 3
 MATING CYCLES: 500 CYCLES
 TEMPERATURE RANGE: -40~+125°C
 WIRE RANGE: 0.14mm²~2.5mm² (AWG26-AWG14)
 2. CONTACT NEED TO BE ORDERED SEPARATELY.

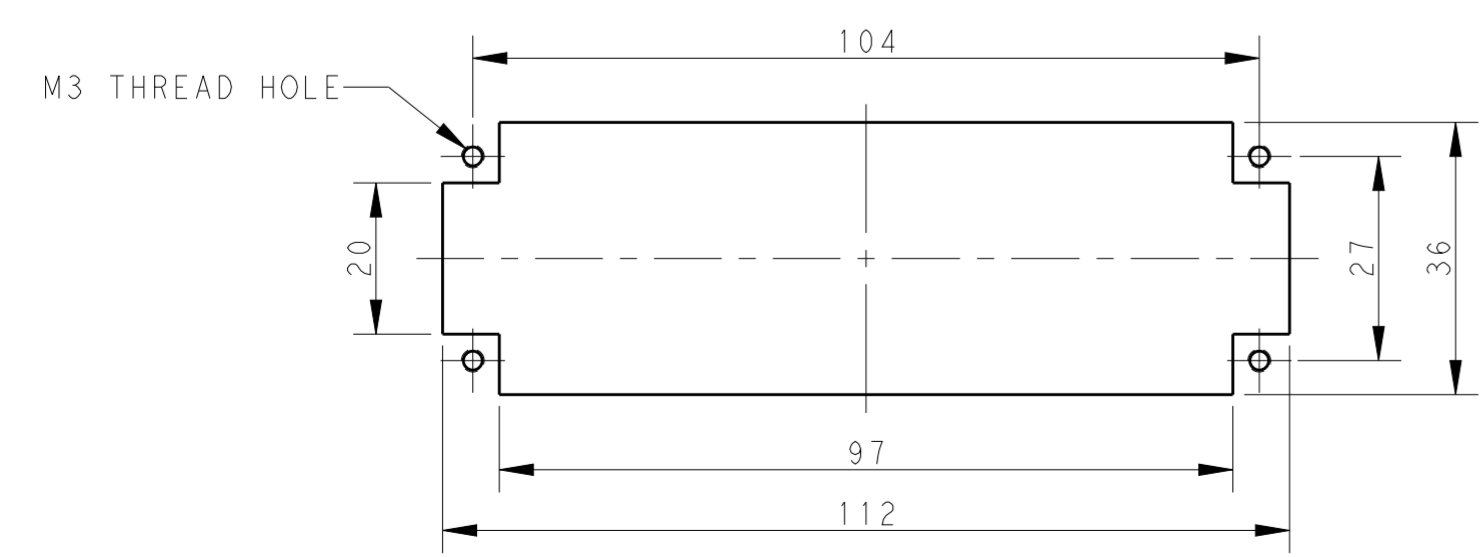
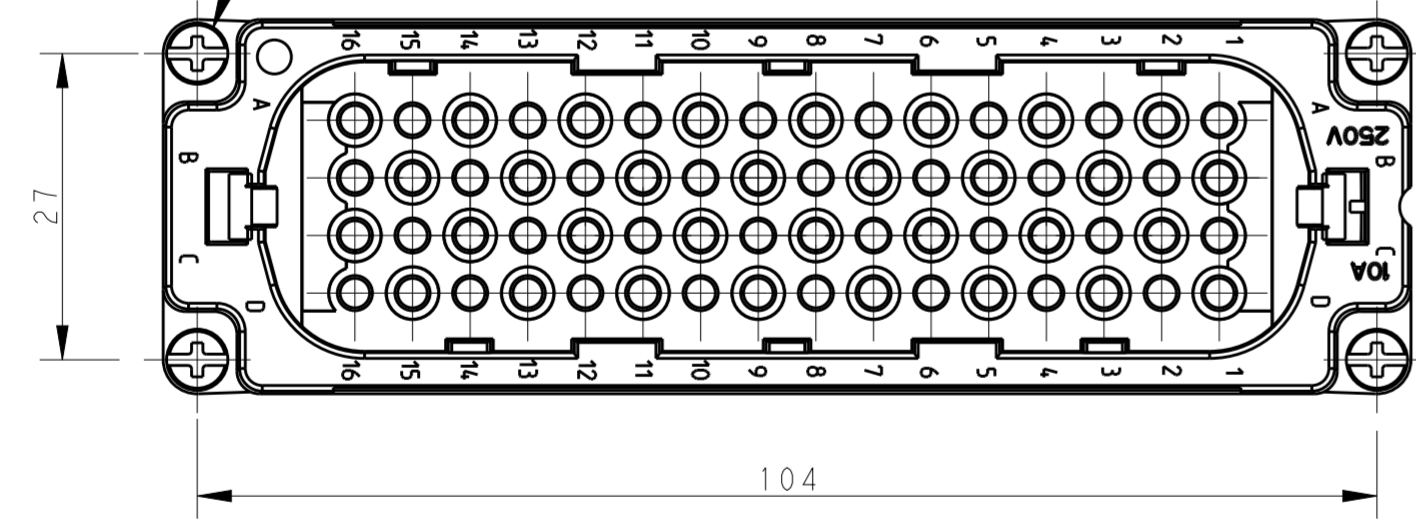
M4 SCREW RECOMMENDED
 TIGHTENING TORQUE 1.2Nm
 M4螺丝, 推荐锁紧力矩1.2Nm



注释:
 1. 技术参数:
 绝缘材料: PC
 额定电压: 250V
 额定电流: 10A
 绝缘电阻: >=400MΩ
 脉冲电压: 4KV
 污染等级: 3
 插拔次数: 500 次
 温度范围: -40~+125°C
 接线范围: 0.14mm²~2.5mm² (AWG26-AWG14)
 2. 端子需要单独订购.



4X M3 SCREW
 RECOMMENDED TIGHTENING TORQUE 0.5Nm
 4X M3 螺丝, 推荐锁紧力矩0.5Nm



PANEL CUT FOR INSERTS FOR USE
 WITHOUT HOODS/ HOUSINGS
 不使用防护外壳时芯件的安装开孔图

2-1103112-3		HN.D.64.Sti.C		HD-064 MALE INSERT FOR MACHINED CONTACT TYPE HD-064 公插, 车削针型(HTS)	
PART NUMBER 料号		PART DESCRIPTION 描述			
THIS DRAWING IS A CONTROLLED DOCUMENT.		DWN 08 JAN 2020 CHK 08 JAN 2020 APVD 08 JAN 2020 KOMAR MARCIN		TE Connectivity	
DIMENSIONS: mm		TOLERANCES UNLESS OTHERWISE SPECIFIED: 0 PLC ± 1 PLC ± 2 PLC ± 3 PLC ± 4 PLC ± ANGLES ± FINISH		NAME HN.D.64.Sti.C	
MATERIAL		PRODUCT SPEC 108-74002		SIZE A200779	
		APPLICATION SPEC 114-74000		DRAWING NO C-1103112	
		WEIGHT		RESTRICTED TO	
		CUSTOMER DRAWING		SCALE 3:2 SHEET 1 OF 1 REV C1	

X-ON Electronics

Largest Supplier of Electrical and Electronic Components

Click to view similar products for [Heavy Duty Power Connectors](#) category:

Click to view products by [TE Connectivity](#) manufacturer:

Other Similar products are found below :

[647757-1](#) [6643411-1](#) [6646058-2](#) [6646137-1](#) [6646138-1](#) [6646479-1](#) [6646608-1](#) [6646786-1](#) [6646940-1](#) [6651091-1](#) [6651525-1](#) [6651529-1](#)
[6651788-1](#) [696475-1](#) [702-32-01109](#) [703-25-02205](#) [73000005059](#) [73000005642](#) [73080255059](#) [73080965046](#) [765-15-0080A](#) [765-16-0080B](#)
[765-18-0080D](#) [829992-1](#) [902-77-02113](#) [PS00/A0620/6300](#) [PS25/A0420/63](#) [129-1J](#) [1409400](#) [AN0024023](#) [E6374G1](#) [e6389g2](#) [157-43GW8](#)
[MS3117-14AC](#) [1643543-1](#) [1650540-1](#) [1651811-2](#) [1766260-1](#) [1766282-1](#) [1766966-1](#) [1791340000](#) [NLDFT-3-BL-L-S120-M40A](#) [NLDFT-N-](#)
[W-L-C240-M40B](#) [NLS-2-R-C240-M40B](#) [NLS-N-W-C240-M40B](#) [NPS-3-BL-T6](#) [1986615-1](#) [2-1589900-8](#) [2199314-1](#) [KA8102](#)