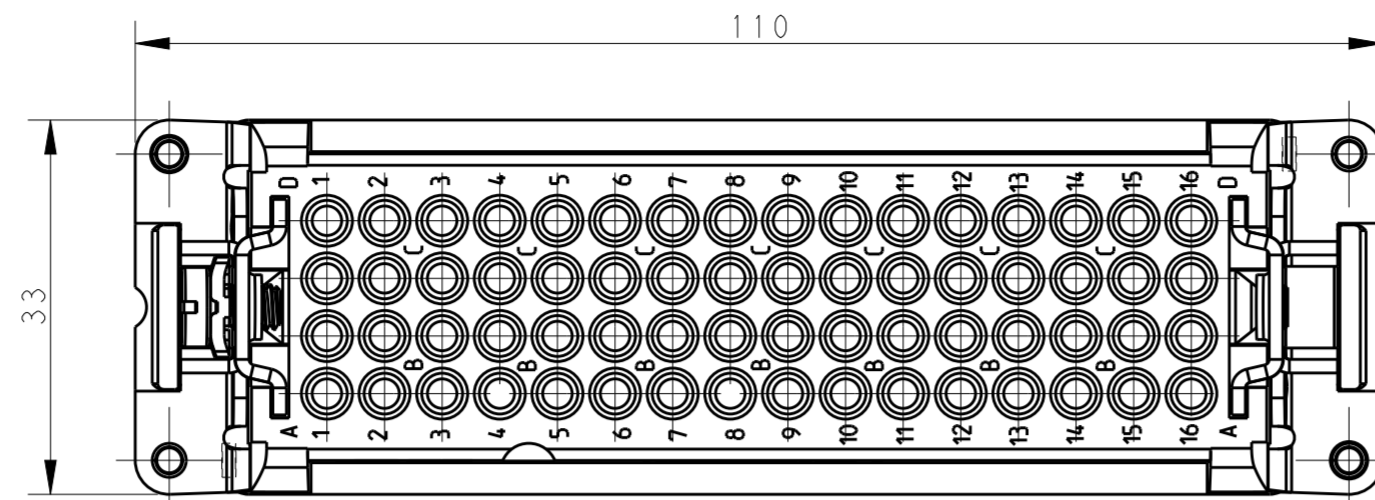


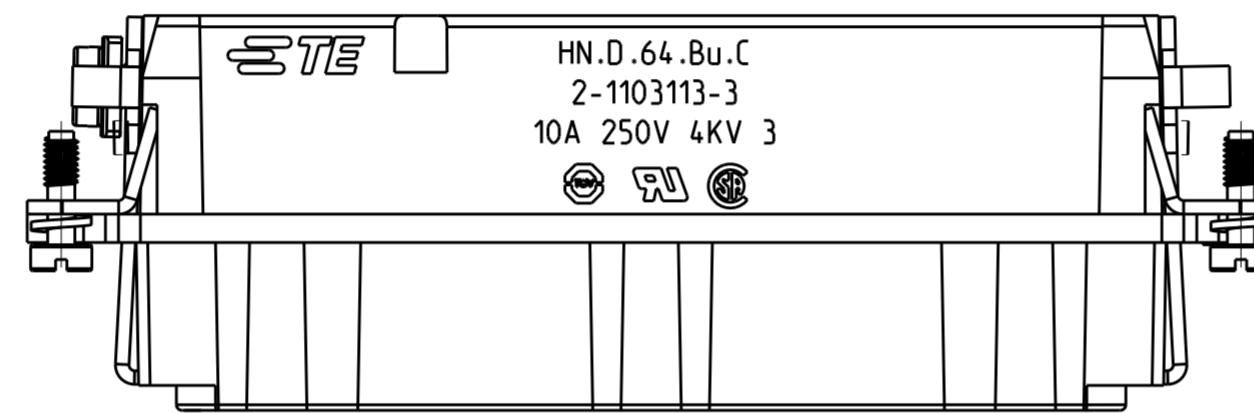
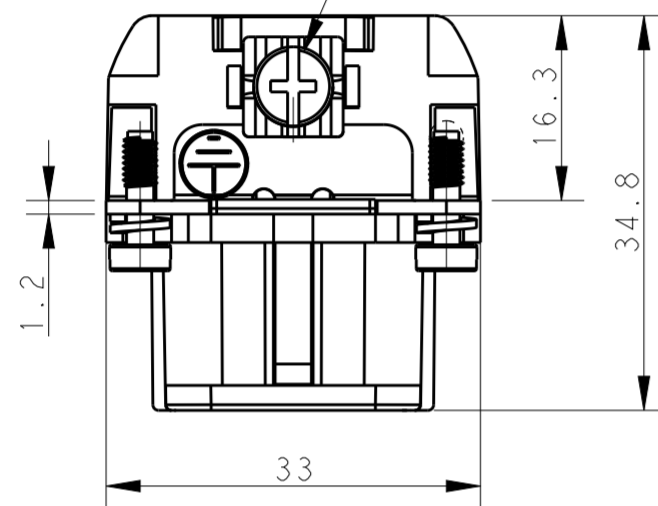
P	LTR	DESCRIPTION	DATE	DWN	APVD
B		ECR-20-005011	06APR2020	QY	JB
C		ECR-20-007704	03JUN2020	QY	JB
C1		ECR-20-016724	25NOV2020	QY	JB



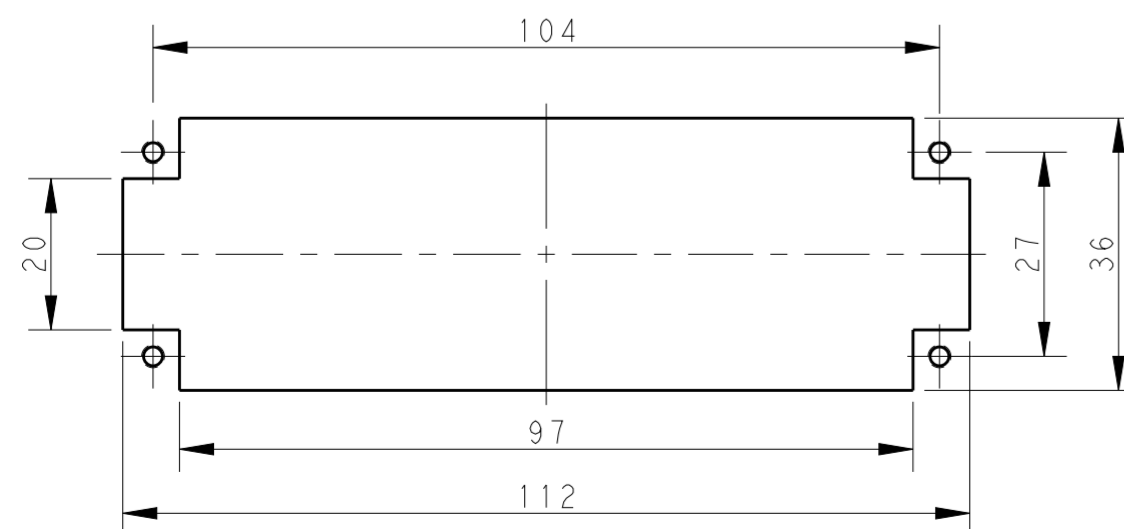
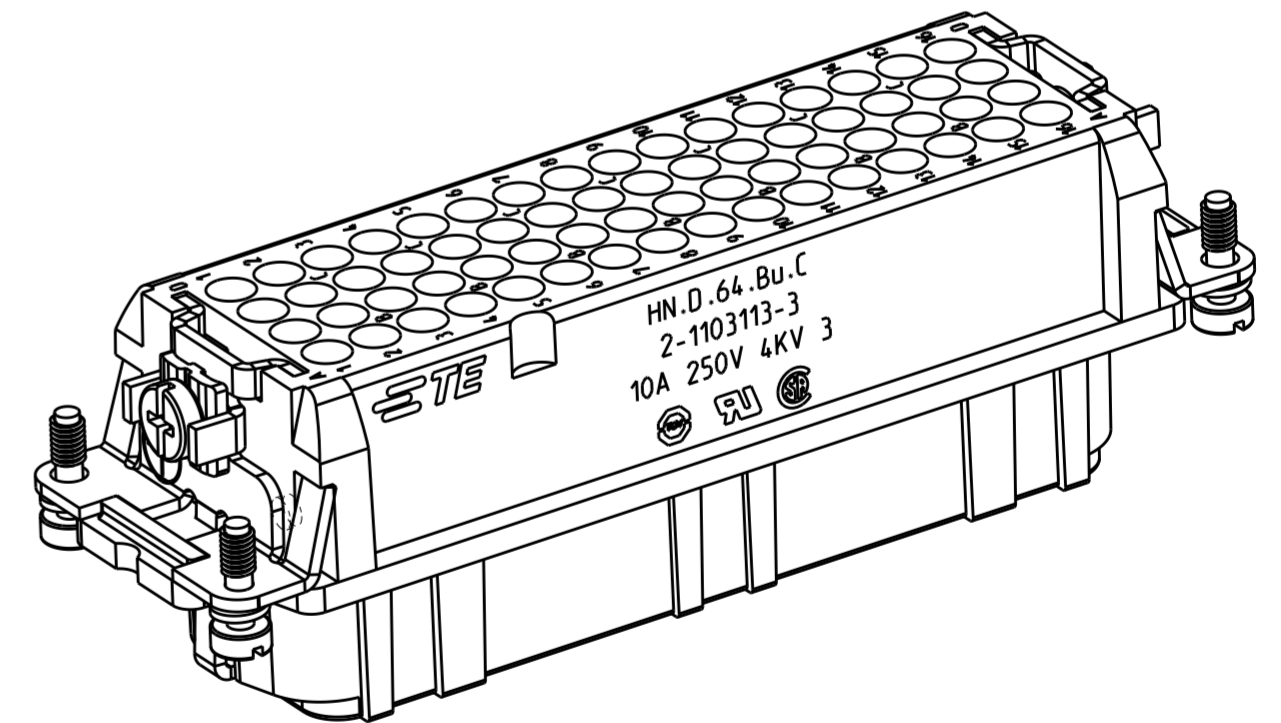
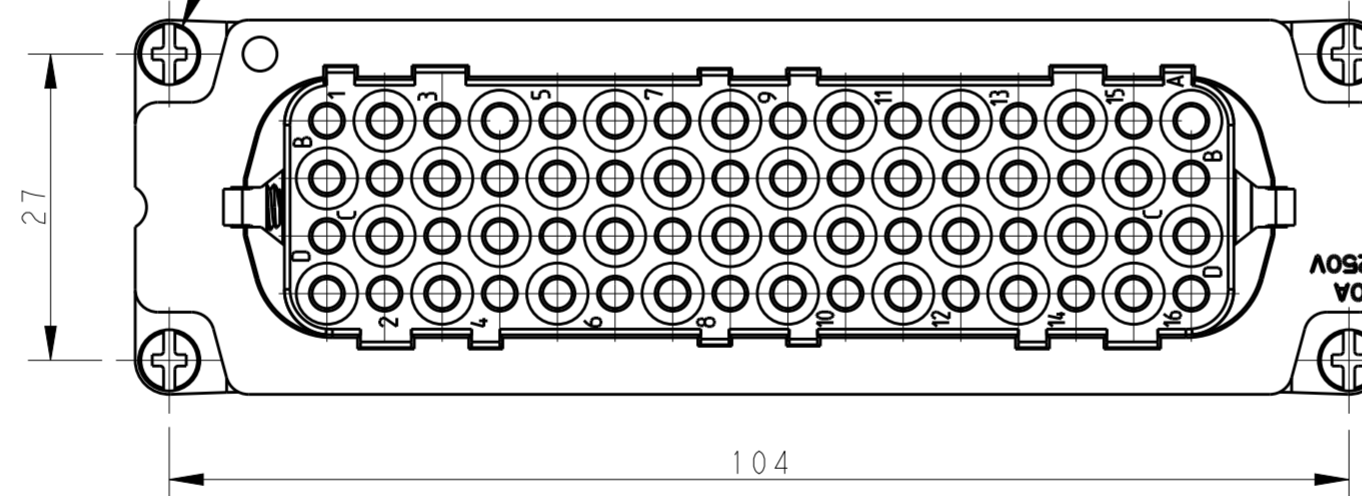
NOTES:  
 1. TECHNICAL CHARACTERISTICS:  
 INSULATION MATERIAL: PC  
 RATED VOLTAGE: 250V  
 RATED CURRENT: 10A  
 INSULATION RESISTANCE:  $\geq 400M\Omega$   
 RATED IMPULSE VOLTAGE: 4KV  
 POLLUTION DEGREE: 3  
 MATING CYCLES: 500 CYCLES  
 TEMPERATURE RANGE:  $-40\sim+125^{\circ}C$   
 WIRE RANGE:  $0.14mm^2\sim 2.5mm^2$  (AWG26-AWG14)  
 2. CONTACT NEED TO BE ORDERED SEPARATELY.

注释:  
 1. 技术参数:  
 绝缘材料: PC  
 额定电压: 250V  
 额定电流: 10A  
 绝缘电阻:  $\geq 400M\Omega$   
 脉冲电压: 4KV  
 污染等级: 3  
 插拔次数: 500 次  
 温度范围:  $-40\sim+125^{\circ}C$   
 接线范围:  $0.14mm^2\sim 2.5mm^2$  (AWG26-AWG14)  
 2. 端子需要单独订购.

M4 SCREW RECOMMENDED  
 TIGHTENING TORQUE 1.2Nm  
 M4 螺丝, 推荐锁紧力矩 1.2Nm



4X M3 SCREW  
 RECOMMENDED TIGHTENING TORQUE 0.5Nm  
 4X M3 螺丝, 推荐锁紧力矩 0.5Nm



PANEL CUT FOR INSERTS FOR USE  
 WITHOUT HOODS/ HOUSINGS  
 不使用防护外壳时芯件的安装开孔图

2-1103113-3	HN.D.64.Bu.C	HD-064 FEMALE INSERT FOR MACHINED CONTACT TYPE HD-064 母插, 车削针型 (HTS)
PART NUMBER 料号	PART DESCRIPTION 描述	
THIS DRAWING IS A CONTROLLED DOCUMENT.		DWN 09 JAN 2020 CHK QIANG YUAN JAN BREDOW APVD 09 JAN 2020 MARCIN KOMAR
DIMENSIONS: mm		TE Connectivity
TOLERANCES UNLESS OTHERWISE SPECIFIED: 0 PLC ± 1 PLC ± 2 PLC ± 3 PLC ± 4 PLC ± ANGLES ± FINISH		NAME HN.D.64.Bu.C
MATERIAL		PRODUCT SPEC 108-74002
		APPLICATION SPEC 114-74000
		WEIGHT
		CUSTOMER DRAWING
		SCALE 3:2 SHEET 1 OF 1 REV C1

## X-ON Electronics

Largest Supplier of Electrical and Electronic Components

*Click to view similar products for [Heavy Duty Power Connectors](#) category:*

*Click to view products by [TE Connectivity](#) manufacturer:*

Other Similar products are found below :

[647757-1](#) [6643411-1](#) [6646058-2](#) [6646137-1](#) [6646138-1](#) [6646479-1](#) [6646608-1](#) [6646786-1](#) [6646940-1](#) [6651091-1](#) [6651525-1](#) [6651529-1](#)  
[6651788-1](#) [696475-1](#) [702-32-01109](#) [703-25-02205](#) [73000005059](#) [73000005642](#) [73080255059](#) [73080965046](#) [765-15-0080A](#) [765-16-0080B](#)  
[765-18-0080D](#) [829992-1](#) [902-77-02113](#) [PS00/A0620/6300](#) [PS25/A0420/63](#) [129-1J](#) [1409400](#) [AN0024023](#) [E6374G1](#) [e6389g2](#) [157-43GW8](#)  
[MS3117-14AC](#) [1643543-1](#) [1650540-1](#) [1651811-2](#) [1766260-1](#) [1766282-1](#) [1766966-1](#) [1791340000](#) [NLDFT-3-BL-L-S120-M40A](#) [NLDFT-N-](#)  
[W-L-C240-M40B](#) [NLS-2-R-C240-M40B](#) [NLS-N-W-C240-M40B](#) [NPS-3-BL-T6](#) [1986615-1](#) [2-1589900-8](#) [2199314-1](#) [KA8102](#)