

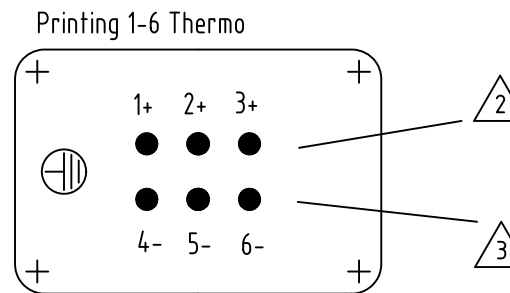
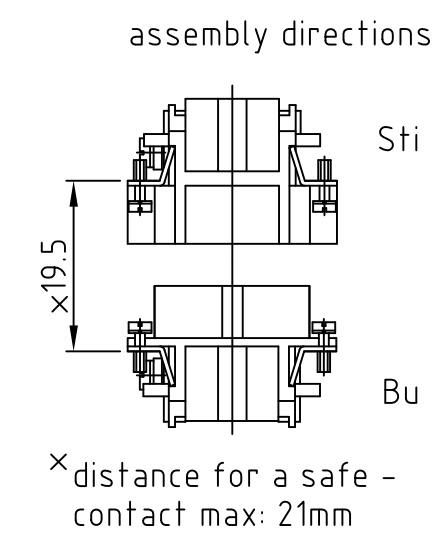
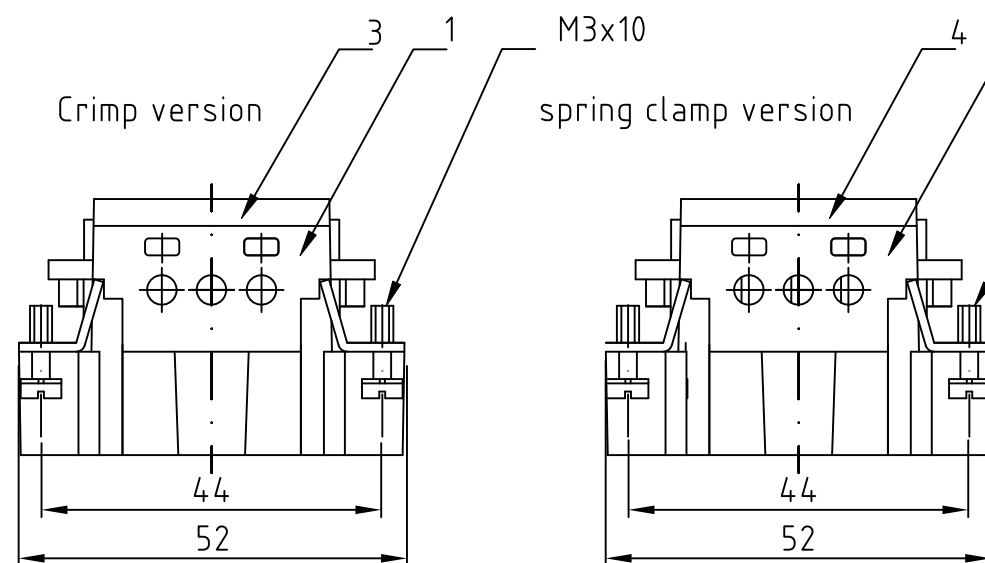
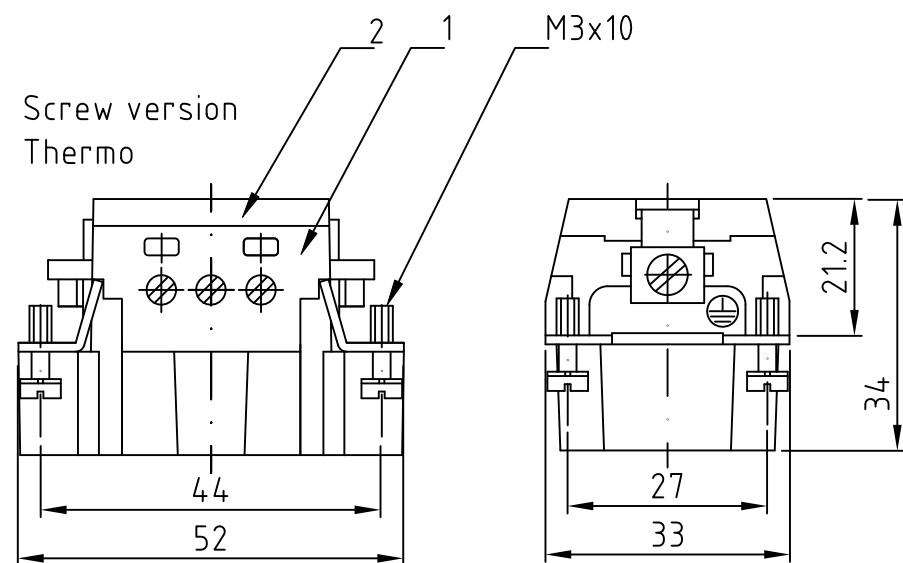
THIS DRAWING IS UNPUBLISHED.
VERTRÄULICHE UNVERÖFFENTLICHTE ZEICHNUNG

RELEASED FOR PUBLICATION
FREI FUER VERÖFFENTLICHUNG
ALL RIGHTS RESERVED.
ALLE RECHTE VORBEHALTEN

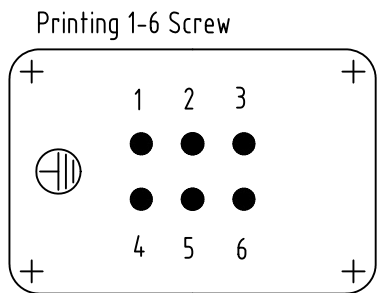
© COPYRIGHT - By -

REVISIONS

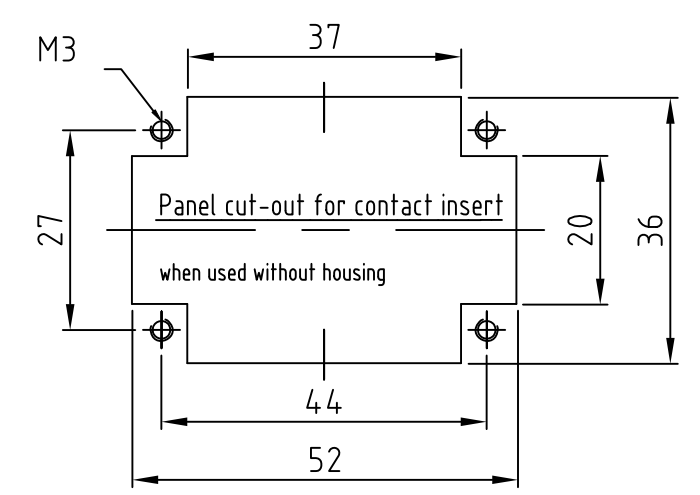
P	LTR	DESCRIPTION BESCHREIBUNG	DATE	DWN	APVD
	A8	ECR-17-009069	09FEB2018	SG	MKO



Contact arrangement
view from termination side



- NOTES:
- 1 SUITABLE CRIMP CONTACTS: SERIES HE/HA
OUTER DIMENSIONS OF INSULATION: MAX. ϕ 3,2 MM
 - SUITABLE HOOD SIZE 5; 7; 9; 11: SERIES HA; HD
SUITABLE INSERTION AND EXTRACTION TOOL:
SCREWDRIVER 0,5x3 DIN 5264
 - Strip length: Screw connection 10mm
Spring clamp connection 10mm Crimp connection 7.5mm
 - STANDARDS:
DIN EN 61984; DIN EN 60664-1
 - PACKAGING:
5 SETS IN A CARTON, PRE-MOUNTED
 - SPECIAL PACKAGING: Krauss-Maffei
PACKAGING UNIT: 150 PIECES



OBSOLETE	OBSOLETE	SUPERSEDED BY T204-0063101-000			OBSOLETE
		1			
HE-6.Sti.S-KM	HE-6.Sti.S-AU	HE-6.Sti.S-SC	HE-6.Sti.S-C	HE-6.Sti.S-T	HE-6.Sti.S

DESCRIPTION	MATERIAL	COLOR	ITEM NO. POS.	NOTES
cover spring clamp version		light grey	4	
cover crimp version		light grey	3	
cover screw version		light grey	2	
pin insert		light grey	1	

THIS DRAWING IS A CONTROLLED DOCUMENT.
DIESE ZEICHNUNG IST EIN KONTROLLIERTES DOKUMENT.

DIMENSIONS: MASSENEHTEIN: mm
TOLERANCES UNLESS OTHERWISE SPECIFIED: ALLGEMEINTOLERANZEN

ORDERING TEXT

0 PLC	±	ISO 8015
1 PLC	±	ISO 2768
2 PLC	±	DIN 16901
3 PLC	±	
4 PLC	±	
ANGLES / WINKEL	±	
MATERIAL		FINISH / OBERFLÄCHE / FARBE

APVD: Gräf 16.02.1999
CHK: Schweiger 18.02.1999

NAME: TE Connectivity

Male insert
Stifteinsatz HE.6.STI

SIZE: A3
CAGE CODE: 00779
DRAWING NO. ZEICHNUNGS-NR.: 1103634

RESTRICTED TO NUR FUER

CUSTOMER DRAWING / KUNDENZEICHNUNG
SCALE: MASSSTAB 1:1
SHEET: BLATT 1 OF 1
REV: A8

X-ON Electronics

Largest Supplier of Electrical and Electronic Components

Click to view similar products for [Heavy Duty Power Connectors](#) category:

Click to view products by [TE Connectivity](#) manufacturer:

Other Similar products are found below :

[647757-1](#) [6643411-1](#) [6646058-2](#) [6646137-1](#) [6646138-1](#) [6646479-1](#) [6646608-1](#) [6646786-1](#) [6646940-1](#) [6651091-1](#) [6651525-1](#) [6651529-1](#)
[6651788-1](#) [696475-1](#) [702-32-01109](#) [703-25-02205](#) [73000005059](#) [73000005642](#) [73080255059](#) [73080965046](#) [765-15-0080A](#) [765-16-0080B](#)
[765-18-0080D](#) [829992-1](#) [902-77-02113](#) [PS00/A0620/6300](#) [PS25/A0420/63](#) [129-1J](#) [1409400](#) [AN0024023](#) [E6374G1](#) [e6389g2](#) [157-43GW8](#)
[MS3117-14AC](#) [1643543-1](#) [1650540-1](#) [1651811-2](#) [1766260-1](#) [1766282-1](#) [1766966-1](#) [1791340000](#) [NLDFT-3-BL-L-S120-M40A](#) [NLDFT-N-](#)
[W-L-C240-M40B](#) [NLS-2-R-C240-M40B](#) [NLS-N-W-C240-M40B](#) [NPS-3-BL-T6](#) [1986615-1](#) [2-1589900-8](#) [2199314-1](#) [KA8102](#)