

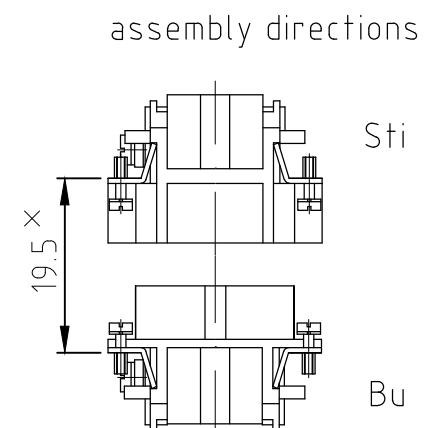
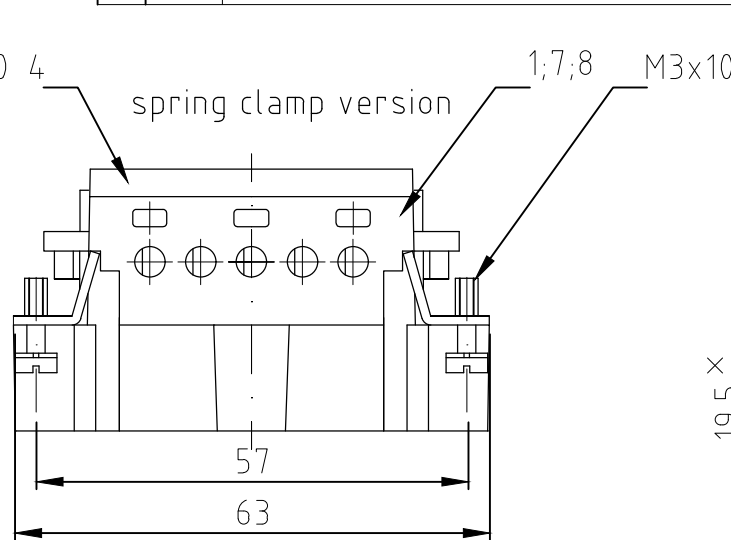
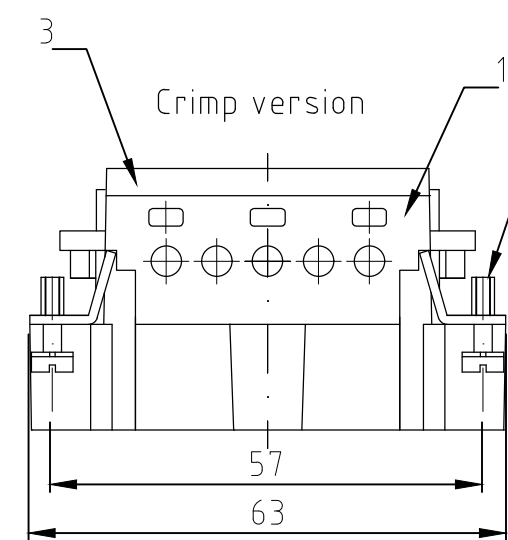
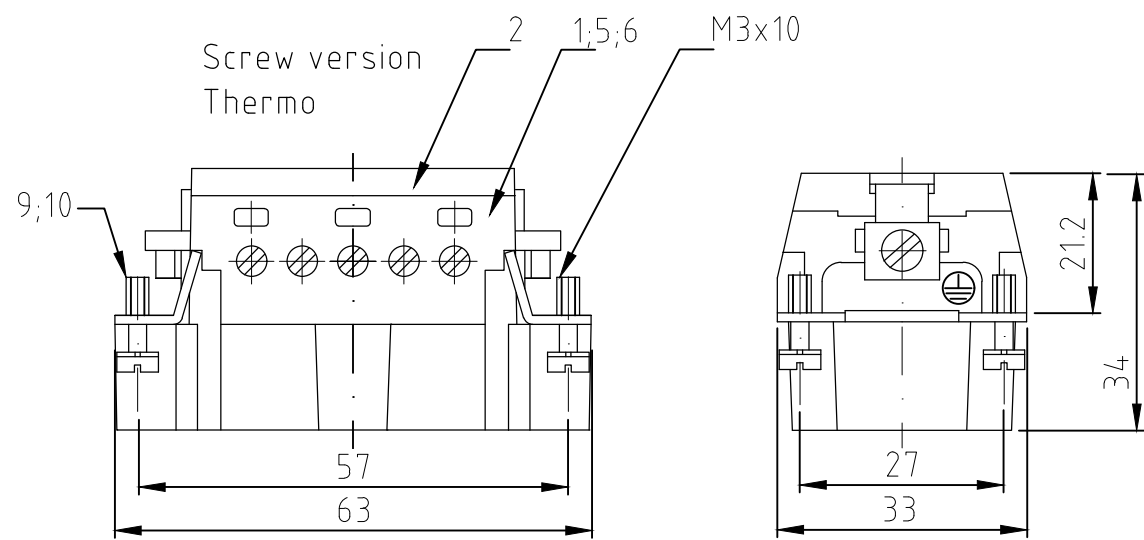
4

3

2

1

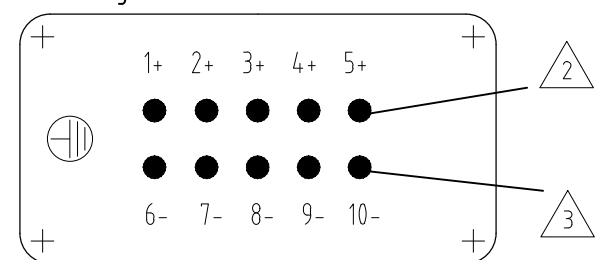
REVISIONS ÄNDERUNGEN		DATE	DWN	APVD
P	LTR	DESCRIPTION BESCHREIBUNG		
	A9	REVISED PER ECR-17-014412	03APR18	NG MKO



x distance for a safe contact max: max: 21 mm

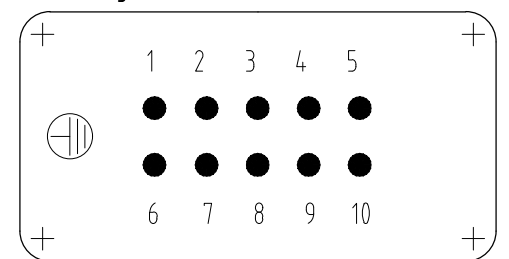
- NOTES:**
- 1 SUITABLE CRIMP CONTACTS: SERIES HE/HA
OUTER DIMENSIONS OF INSULATION: MAX. Ø3,2 MM
 - 2 SUITABLE HOOD SIZE 4: SERIES HB, HD,HIP,EMV
SUITABLE INSERTION AND EXTRACTION TOOL:
SCREWDRIVER 0,5x3 DIN 5264
 - 3 Strip length: Screw conection 10mm
Spring clamp conection 10mm Crimp conection 7.5mm
 - 4 STANDARDS:
DIN EN 61984; DIN EN 60664-1
 - 5 PACKAGING:
5 SETS IN A CARTON, PRE-MOUNTED
 - 6 SPECIAL PACKAGING: Krauss-Maffei
PACKAGING UNIT: 250 PIECES

Printing 1-10 Thermo

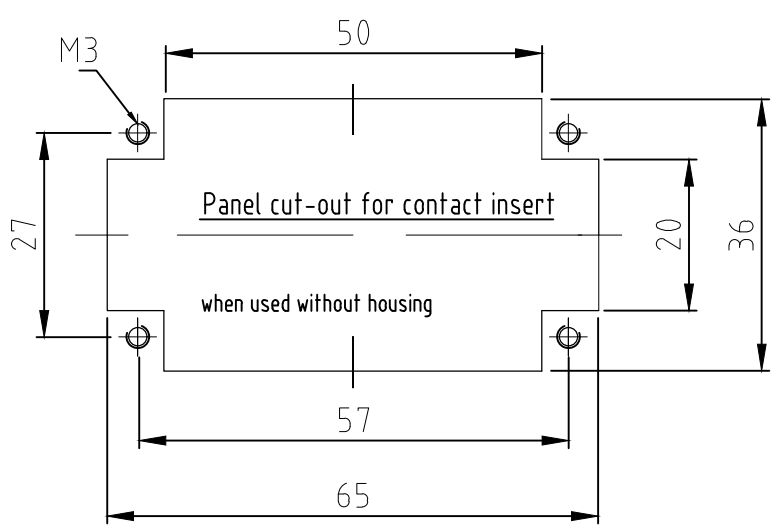


view from termination side
Contact arrangement

Printing 1-10 Screw



OBSOLETE	OBSOLETE	OBSOLETE	OBSOLETE	SUPERSEDED BY T204.0103101-000	SUPERSEDED BY T204.0104.101-000	OBSOLETE								
		4							fixing screw	stainless steel	even		10	M3x10
	4		4	4	4	4	4		fixing screw	steel	nickel plated	blue	9	M3x10
10									contact spring clamp	brass	gold plated		8	
					10				contact pin	brass	silver plated		7	
			10						contact screw termination	brass	gold plated		6	
	10	10					10		contact screw termination	brass	silber plated		5	
1							1		cover spring version			light grey	4	
							1		cover crimp version			light grey	3	
	1	1	1				1	1	cover screw version			light grey	2	
1	1	1	1	1	1	1	1	1	pin insert			light grey	1	



ORDERING TEXT / BESTELLTEXT	DESCRIPTION / BENENNUNG	MATERIAL	SURFACE	COLOR	ITEM NO. POS.	NOTES
HE.10.Sti.SC-AU	THIS DRAWING IS A CONTROLLED DOCUMENT. DIESE ZEICHNUNG IST EIN KONTROLLIERTES DOKUMENT.					
HE.10.Sti.S-KM	DIMENSIONS: MASSE/NHEITEN: mm					
HE.10.Sti.S-VA	TOLERANCES UNLESS OTHERWISE SPECIFIED: ALLGEMEINTOLERANZEN					
HE.10.Sti.S-AU	0 PLC ±					
HE.10.Sti.SC	1 PLC ±					
HE.10.Sti.C	2 PLC ±					
HE.10.Sti.S-T	3 PLC ±					
HE.10.Sti.S	4 PLC ±					
	ANGLES / WINKEL ±					
	FINISH/OBERFLAECH/FARBE					

DWN 10.02.1999 Gräf
CHK 18.02.1999 Schweiger
APVD - NAME
PRODUCT SPEC PRODUKTSPEZ.
APPLICATION SPEC VERARBEITUNGSSPEZ.
WEIGHT GEWICHT

STE TE Connectivity
Male insert
HE.10.STI.S/C

SCALE 1:1
SHEET 1 OF 1
REV A9

X-ON Electronics

Largest Supplier of Electrical and Electronic Components

Click to view similar products for [Heavy Duty Power Connectors](#) category:

Click to view products by [TE Connectivity](#) manufacturer:

Other Similar products are found below :

[647757-1](#) [6643411-1](#) [6646058-2](#) [6646137-1](#) [6646138-1](#) [6646479-1](#) [6646608-1](#) [6646786-1](#) [6646940-1](#) [6651091-1](#) [6651525-1](#) [6651529-1](#)
[6651788-1](#) [696475-1](#) [702-32-01109](#) [703-25-02205](#) [73000005059](#) [73000005642](#) [73080255059](#) [73080965046](#) [765-15-0080A](#) [765-16-0080B](#)
[765-18-0080D](#) [829992-1](#) [902-77-02113](#) [PS00/A0620/6300](#) [PS25/A0420/63](#) [129-1J](#) [1409400](#) [AN0024023](#) [E6374G1](#) [e6389g2](#) [157-43GW8](#)
[MS3117-14AC](#) [1643543-1](#) [1650540-1](#) [1651811-2](#) [1766260-1](#) [1766282-1](#) [1766966-1](#) [1791340000](#) [NLDFT-3-BL-L-S120-M40A](#) [NLDFT-N-](#)
[W-L-C240-M40B](#) [NLS-2-R-C240-M40B](#) [NLS-N-W-C240-M40B](#) [NPS-3-BL-T6](#) [1986615-1](#) [2-1589900-8](#) [2199314-1](#) [KA8102](#)