

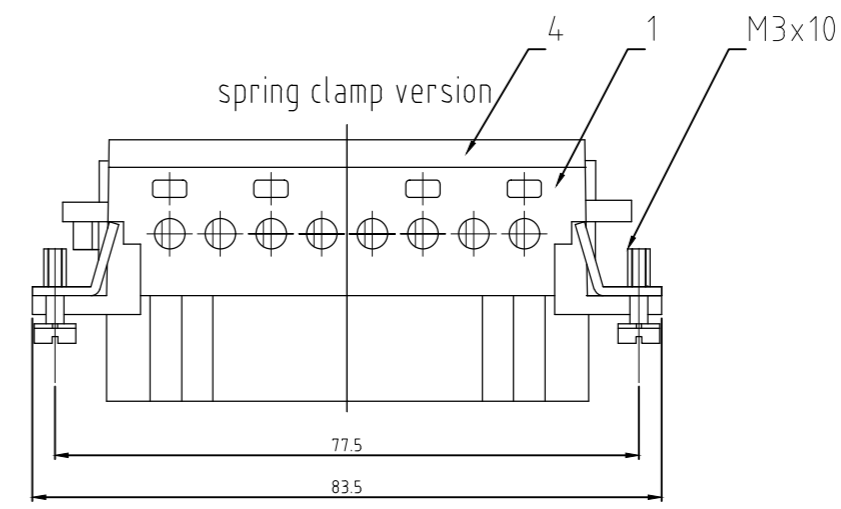
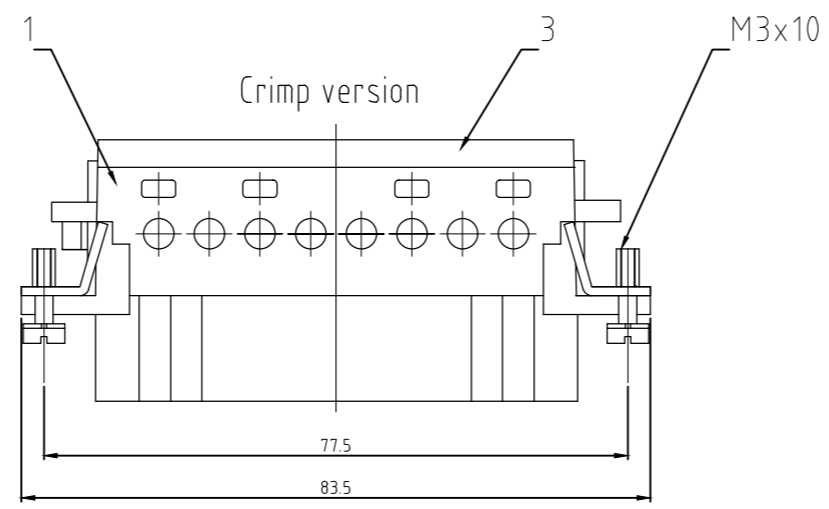
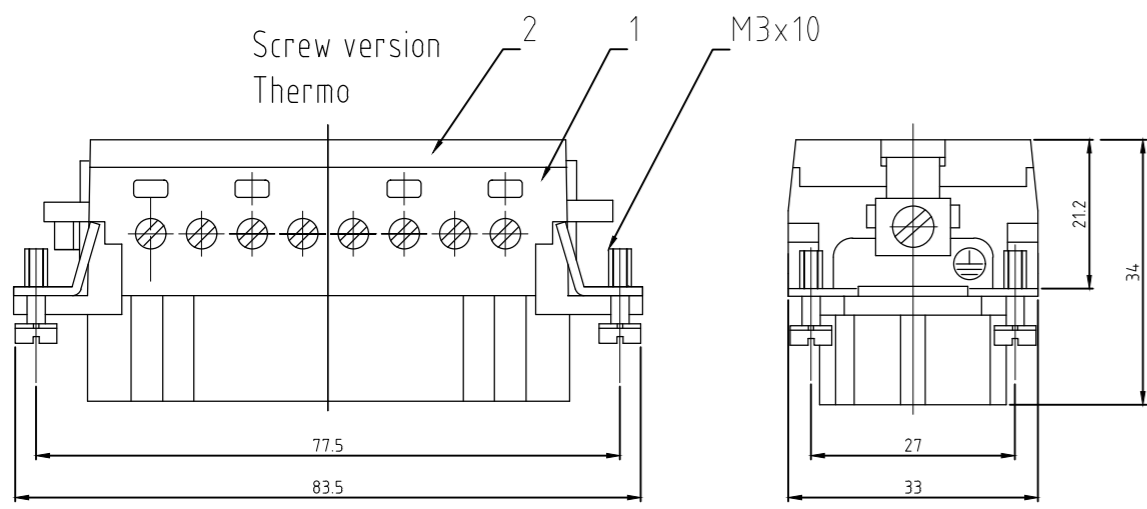
THIS DRAWING IS UNPUBLISHED.  
VERTRAULICHE UNVERÖFFENTLICHTE ZEICHNUNG

RELEASED FOR PUBLICATION  
FREI FUER VERÖFFENTLICHUNG  
ALL RIGHTS RESERVED.  
ALLE RECHTE VORBEHALTEN

MATED WITH:  
PASSEND ZU:  
HE

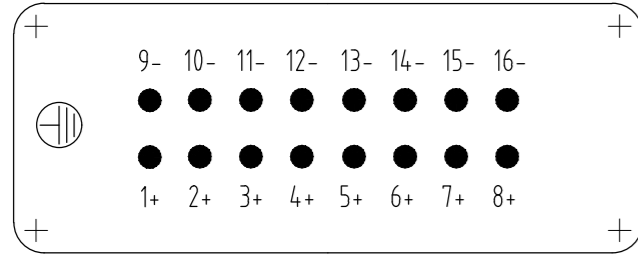
REVISIONS

P	LTR	DESCRIPTION BESCHREIBUNG	DATE	DWN	APVD
C12	ECR-17-014011		28MAR2018	SG	MKO

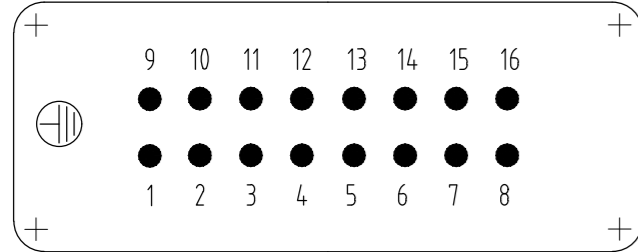


Contact arrangement view from termination side

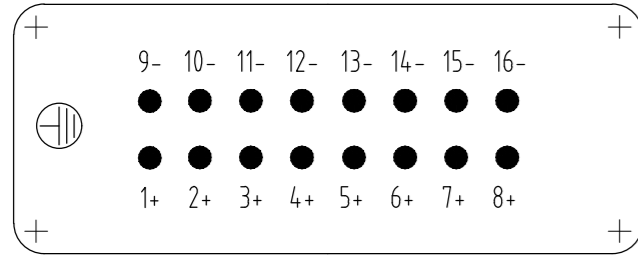
Printing 1-16 Thermo



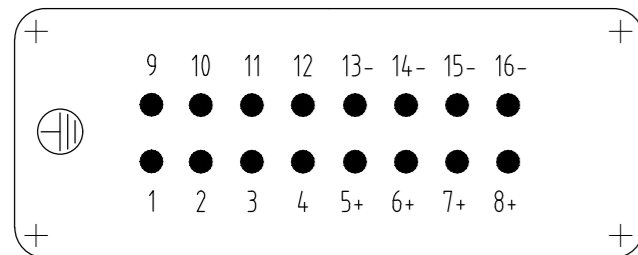
Printing 1-16 Screw



Printing 1-16 Thermo

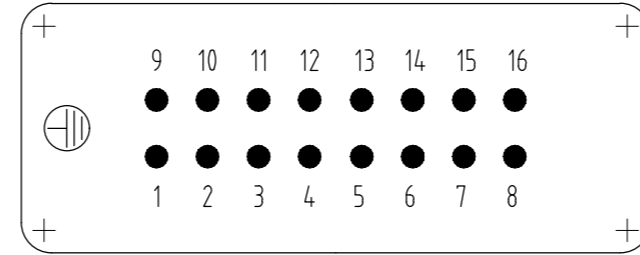


Printing 8+4+4 Screw/Thermo

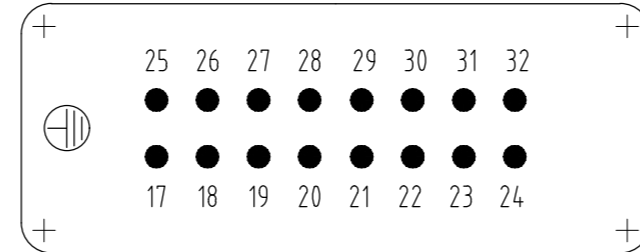


Contact arrangement view from termination side

Printing 1-16

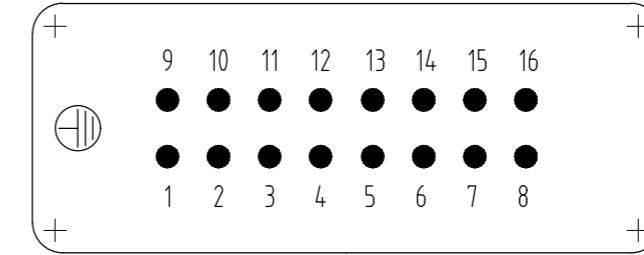


Printing 17-32

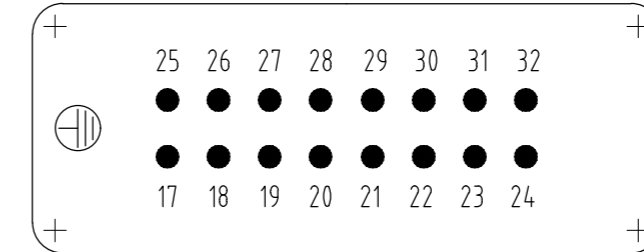


Contact arrangement view from termination side

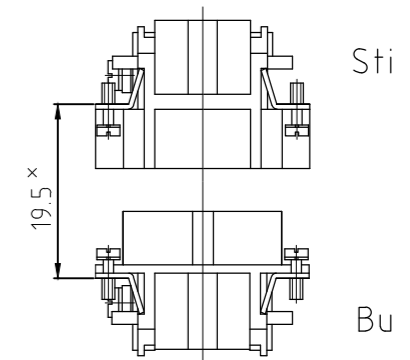
Printing 1-16



Printing 17-32



assembly directions

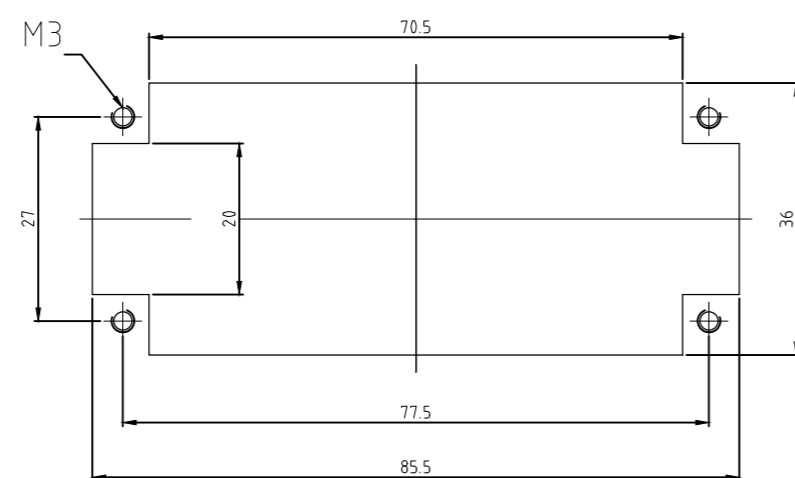


× distance for a safe contact max: max: 21 mm

NOTES:

- SUITABLE CRIMP CONTACTS: SERIES HE/HA  
OUTER DIMENSIONS OF INSULATION: MAX. Ø3,2 mm
- SUITABLE HOOD SIZE 6; 10; SERIES HB; HD;HIP,EMV  
SUITABLE INSERTION AND EXTRACTION TOOL:  
SCREWDRIVER 0,5x3 DIN 5264
- Strip lenght: Screw conection 10mm  
Spring clamp conection 10mm Crimp conection 7.5mm
- STANDARDS:  
DIN EN 61984; DIN EN 60664-1
- PACKAGING:  
5 SETS IN A CARTON, PRE-MOUNTED
- SPECIAL PACKAGING: Krauss-Maffei  
PACKAGING UNIT: 200 PIECES

Panel cut-out for contact insert when used without housing



HE.16.Bu.S.B1-16-KM	OBSOLETE								
HE.16.Bu.S-T-B-8-4-4	OBSOLETE								
HE.16.Bu.S.B-1-16-AU	OBSOLETE								
HE.16.Bu.S.C.B-17-32	SUPERSEDED BY T2040323201-000								
HE.16.Bu.S.C.B-1-16	SUPERSEDED BY T2040163201-000								
HE.16.Bu.C.B-17-32	OBSOLETE								
HE.16.Bu.C.B-1-16									
HE.16.Bu.S.B.17-32									
HE.16.Bu.S-T-B-1-16	OBSOLETE								
HE.16.Bu.S.B-1-16									

DESCRIPTION / BENENNUNG	MATERIAL	COLOR / FARBE	ITEM NO. POS.	REMARKS / BEMERKUNGEN
Deckel Federklemmversion		lichtgrau	4	
Deckel Crimpversion		lichtgrau	3	
Deckel Schraubversion		lichtgrau	2	
Buchseinsatz		lichtgrau	1	

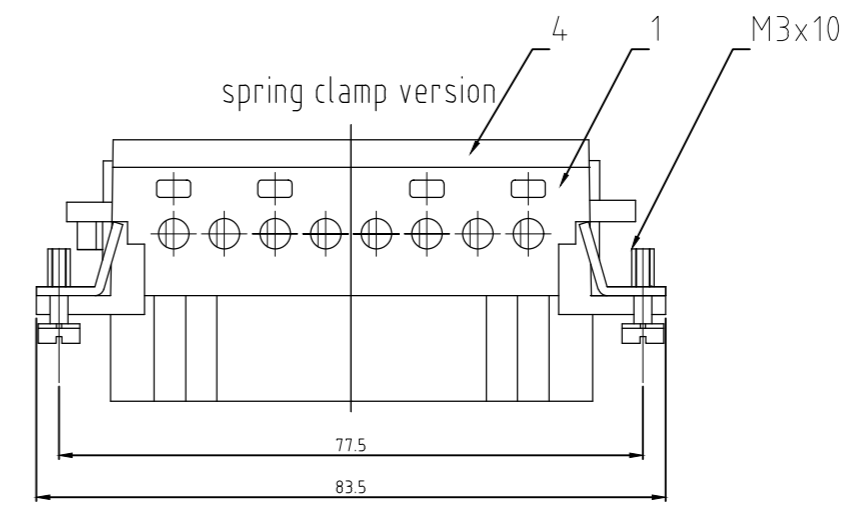
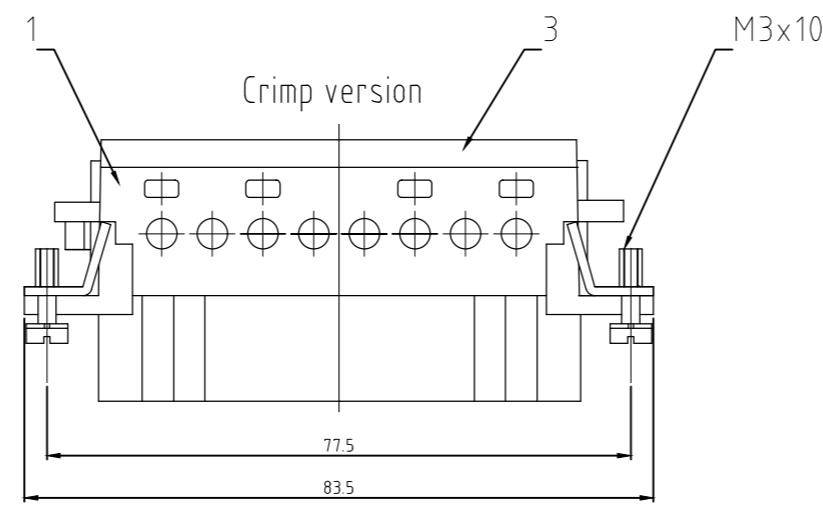
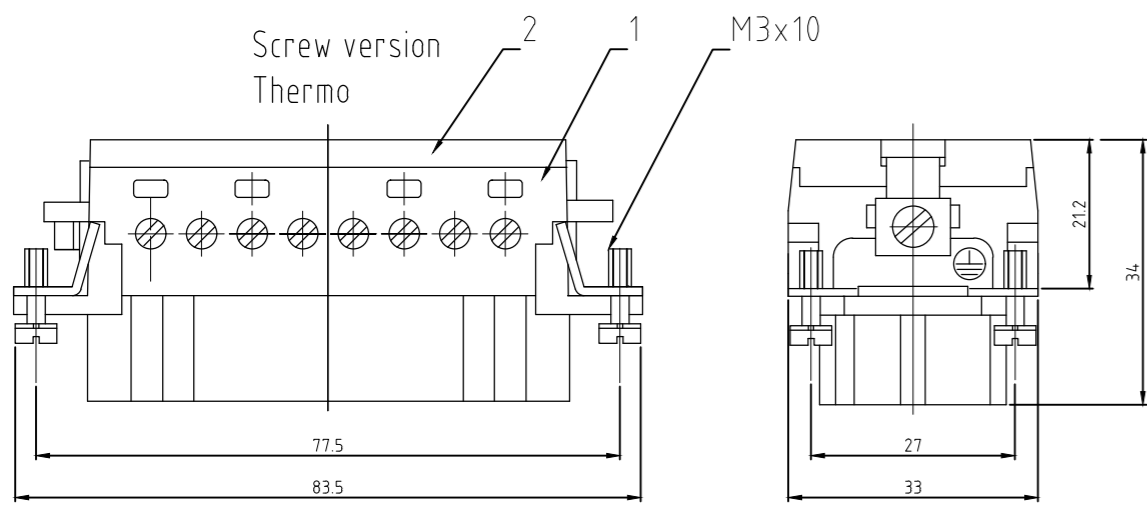
THIS DRAWING IS A CONTROLLED DOCUMENT. DIESE ZEICHNUNG IST EIN KONTROLLIERTES DOKUMENT.		DWN	08.02.2000	 TE Connectivity Female insert HE.16.BU.C/S
DIMENSIONS: MASSENHETEN mm		CHK	08.02.2000	
TOLERANCES UNLESS OTHERWISE SPECIFIED: ALLGEMEINTOLERANZEN		APVD	-	
MATERIAL		NAME	-	
FINISH / OBERFLAECHE / FARBE		PRODUCT SPEC	-	SIZE
MATERIAL		APPLICATION SPEC. VERARBEITUNGSSPEZ.	-	CAGE CODE
MATERIAL		WEIGHT GEWICHT	-	DRAWING NO. ZEICHNUNGS-NR.
MATERIAL		CUSTOMER DRAWING / KUNDENZEICHNUNG	-	SCALE MASSTAB
MATERIAL		SCALE MASSTAB	1:1	SHEET BLATT
MATERIAL		SCALE MASSTAB	1:1	1 von 1
MATERIAL		SCALE MASSTAB	1:1	REV
MATERIAL		SCALE MASSTAB	1:1	C12

THIS DRAWING IS UNPUBLISHED.  
VERTRAULICHE UNVERÖFFENTLICHTE ZEICHNUNG

RELEASED FOR PUBLICATION  
FREI FUER VERÖFFENTLICHUNG  
ALL RIGHTS RESERVED.  
ALLE RECHTE VORBEHALTEN

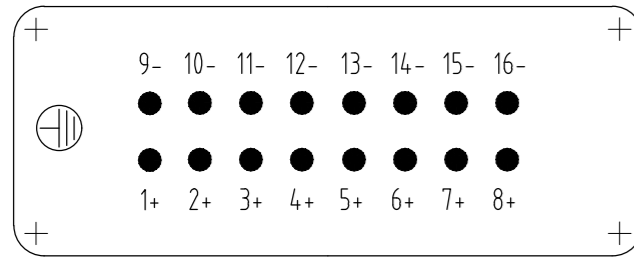
MATED WITH:  
PASSEND ZU:  
HE

REVISIONS ÄNDERUNGEN				DATE	DWN	APVD
P	LTR	DESCRIPTION BESCHREIBUNG				
C10		ECR-17-000919	10AUG2017	RG	MKO	

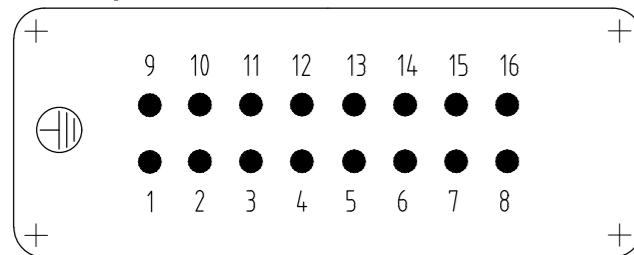


Contact arrangement view from termination side

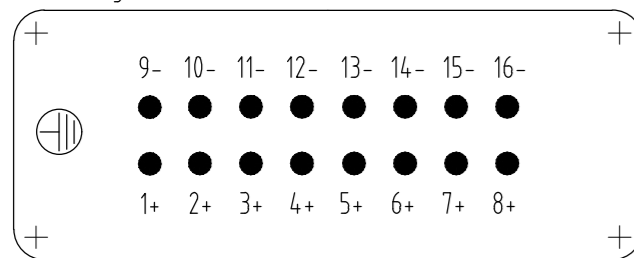
Printing 1-16 Thermo



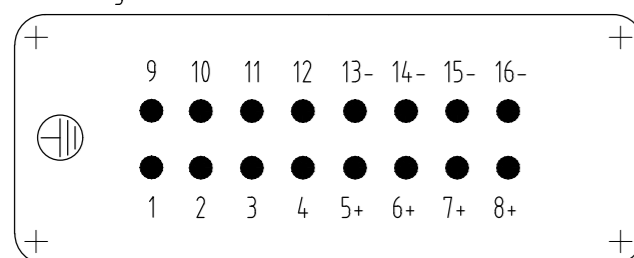
Printing 1-16 Screw



Printing 1-16 Thermo

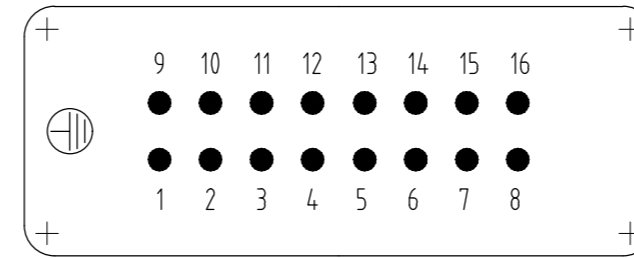


Printing 8+4+4 Screw/Thermo

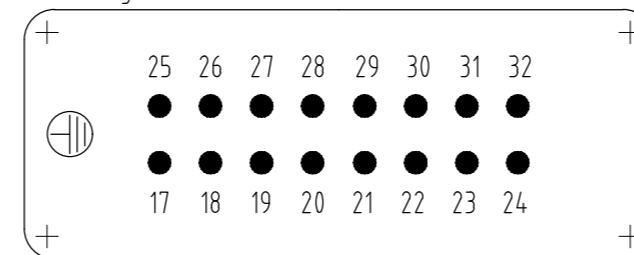


Contact arrangement view from termination side

Printing 1-16

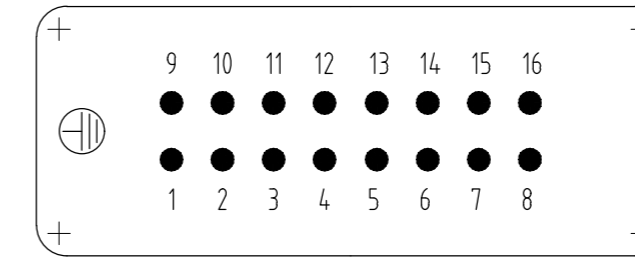


Printing 17-32

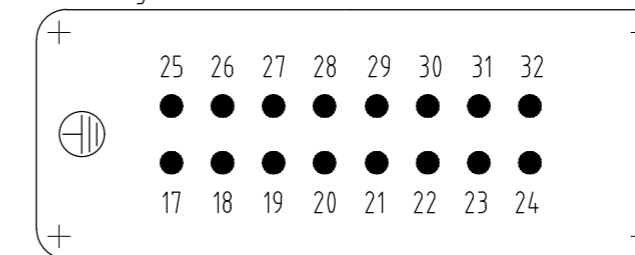


Contact arrangement view from termination side

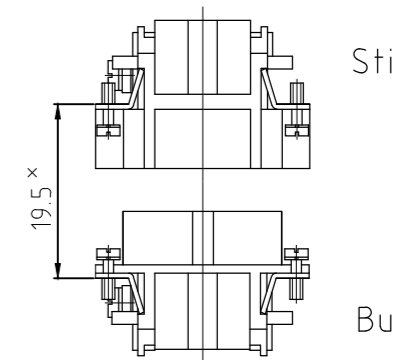
Printing 1-16



Printing 17-32



assembly directions

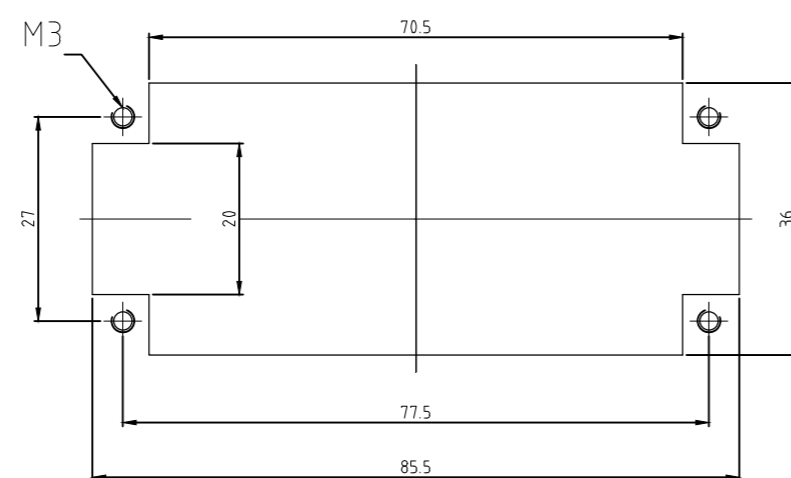


× distance for a safe contact max: max: 21 mm

NOTES:

- SUITABLE CRIMP CONTACTS: SERIES HE/HA  
OUTER DIMENSIONS OF INSULATION: MAX. Ø3,2 MM
- SUITABLE HOOD SIZE 6; 10; SERIES HB; HD;HIP,EMV  
SUITABLE INSERTION AND EXTRACTION TOOL:  
SCREWDRIVER 0,5x3 DIN 5264
- Strip lenght: Screw conection 10mm  
Spring clamp conection 10mm Crimp conection 7.5mm
- STANDARDS:  
DIN EN 61984; DIN EN 60664-1
- PACKAGING:  
5 SETS IN A CARTON, PRE-MOUNTED
- SPECIAL PACKAGING: Krauss-Maffei  
PACKAGING UNIT: 200 PIECES

Panel cut-out for contact insert when used without housing



HE.16.Bu.S.B1-16-KM	OBSOLETE	1								
HE.16.Bu.S.-T.B.8+4+4	OBSOLETE	1								
HE.16.Bu.S.B1-16-AU	OBSOLETE	1								
HE.16.Bu.S.C.B.17-32	OBSOLETE	1								
HE.16.Bu.S.C.B.1-16	OBSOLETE	1								
HE.16.Bu.C.B.17-32	OBSOLETE	1								
HE.16.Bu.C.B.1-16	OBSOLETE	1								
HE.16.Bu.S.B.17-32	OBSOLETE	1								
HE.16.Bu.S.T.B.1-16	OBSOLETE	1								
HE.16.Bu.S.B.1-16	OBSOLETE	1								

DESCRIPTION / BENENNUNG	MATERIAL	COLOR / FARBE	ITEM NO. POS.	REMARKS / BEMERKUNGEN
Deckel Federklemmversion		lichtgrau	4	
Deckel Crimpversion		lichtgrau	3	
Deckel Schraubversion		lichtgrau	2	
Buchseneinsatz		lichtgrau	1	

THIS DRAWING IS A CONTROLLED DOCUMENT. DIESE ZEICHNUNG IST EIN KONTROLLIERTES DOKUMENT.		DWN 08.02.2000		Female insert HE.16.BU.C/S
DIMENSIONS: MASSENHETEN mm		CHK 08.02.2000		
TOLERANCES UNLESS OTHERWISE SPECIFIED: ALLGEMEINTOLERANZEN		APVD		
MATERIAL		NAME		
FINISH / OBERFLAECHE / FARBE		WEIGHT GEWICHT	SIZE A2	CAGE CODE 00779
DRAWING NO. ZEICHNUNGS-NR. C=1103639		SCALE MASSTAB 1:1	SHEET BLATT 1 von 1	RESTRICTED TO NUR FUER
CUSTOMER DRAWING / KUNDENZEICHNUNG		REVISIONS	REV C10	

## X-ON Electronics

Largest Supplier of Electrical and Electronic Components

*Click to view similar products for [Heavy Duty Power Connectors](#) category:*

*Click to view products by [TE Connectivity](#) manufacturer:*

Other Similar products are found below :

[647757-1](#) [6643411-1](#) [6646058-2](#) [6646137-1](#) [6646138-1](#) [6646479-1](#) [6646608-1](#) [6646786-1](#) [6646940-1](#) [6651091-1](#) [6651525-1](#) [6651529-1](#)  
[6651788-1](#) [696475-1](#) [702-32-01109](#) [703-25-02205](#) [73000005059](#) [73000005642](#) [73080255059](#) [73080965046](#) [765-15-0080A](#) [765-16-0080B](#)  
[765-18-0080D](#) [829992-1](#) [902-77-02113](#) [PS00/A0620/6300](#) [PS25/A0420/63](#) [129-1J](#) [1409400](#) [AN0024023](#) [E6374G1](#) [e6389g2](#) [157-43GW8](#)  
[MS3117-14AC](#) [1643543-1](#) [1650540-1](#) [1651811-2](#) [1766260-1](#) [1766282-1](#) [1766966-1](#) [1791340000](#) [NLDFT-3-BL-L-S120-M40A](#) [NLDFT-N-](#)  
[W-L-C240-M40B](#) [NLS-2-R-C240-M40B](#) [NLS-N-W-C240-M40B](#) [NPS-3-BL-T6](#) [1986615-1](#) [2-1589900-8](#) [2199314-1](#) [KA8102](#)