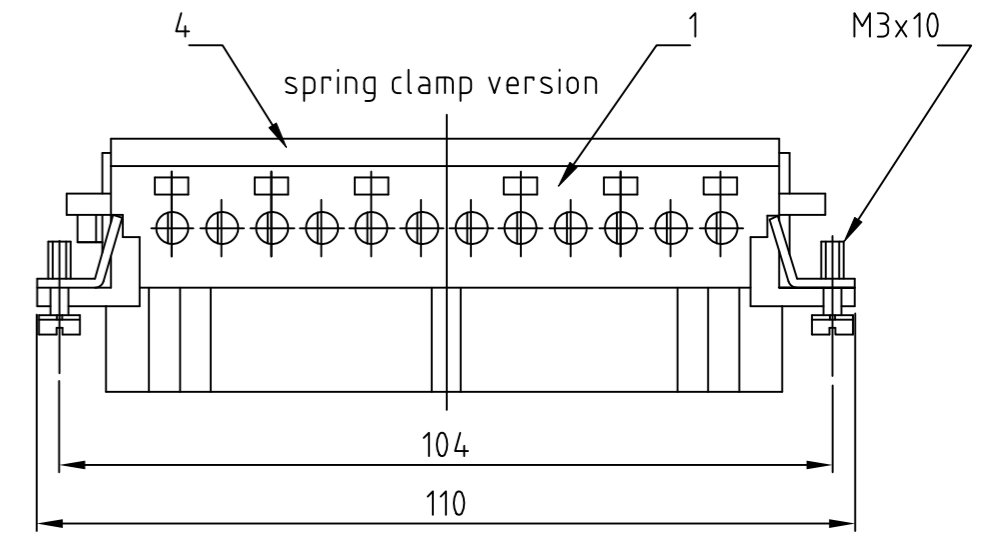
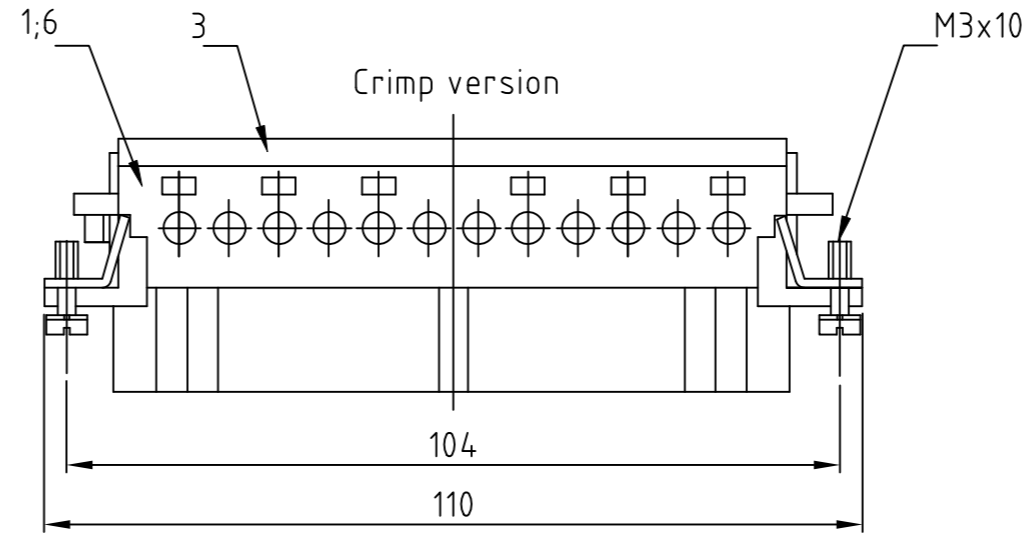
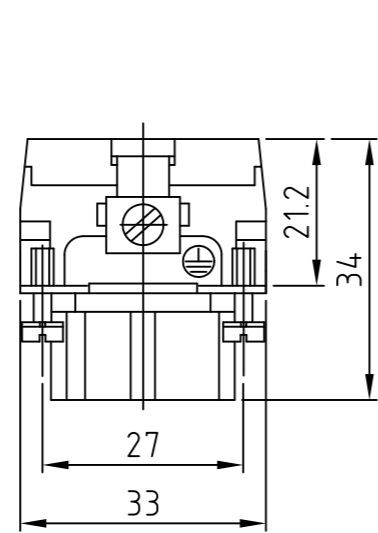
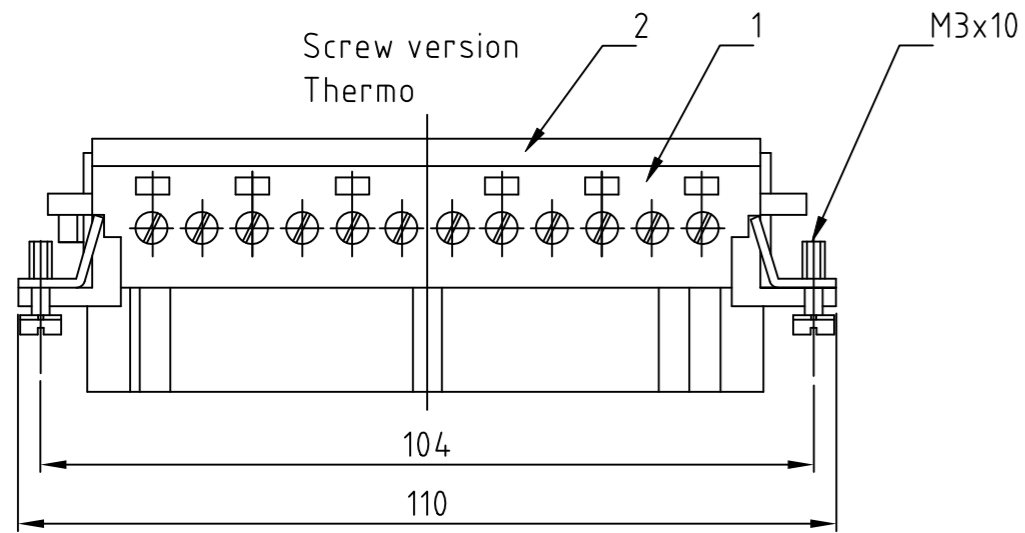


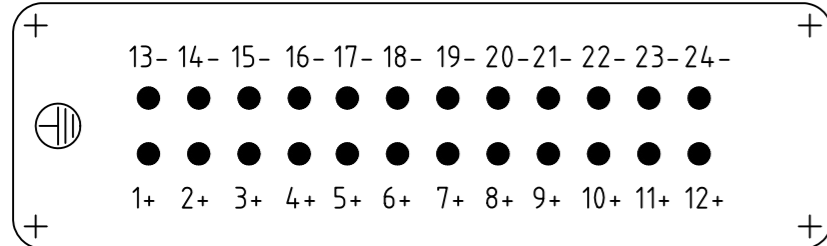
THIS DRAWING IS UNPUBLISHED. RELEASED FOR PUBLICATION. ALL RIGHTS RESERVED.

REVISIONS					
P	LTR	DESCRIPTION	DATE	DWN	APVD
	E4	ECR-17-009069	12FEB2018	SG	MKO

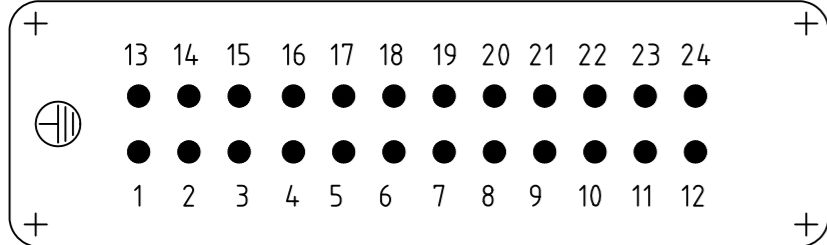


Contact arrangement view from termination side

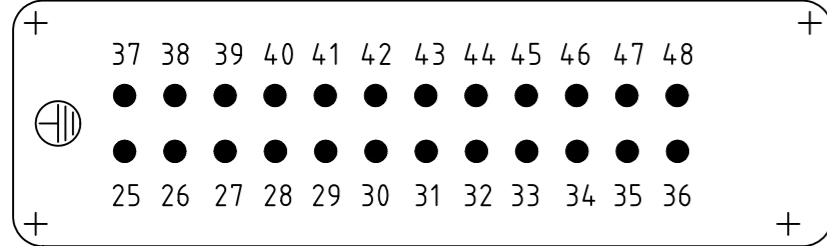
Printing 1-24 Thermo



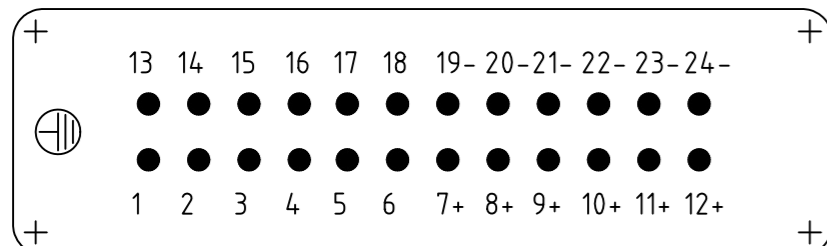
Printing 1-24 Screw



Printing 25-48 Screw

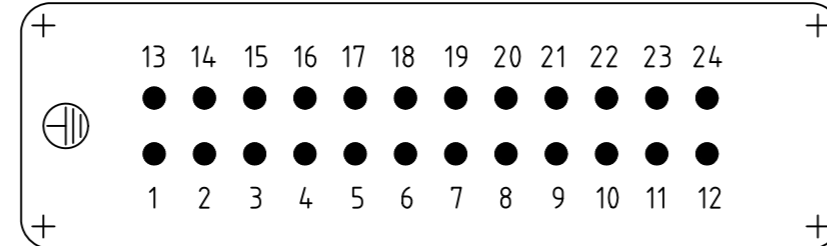


Printing 12+6+6 Screw/Thermo

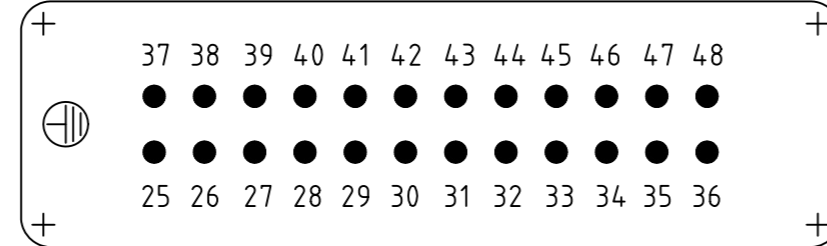


Contact arrangement view from termination side

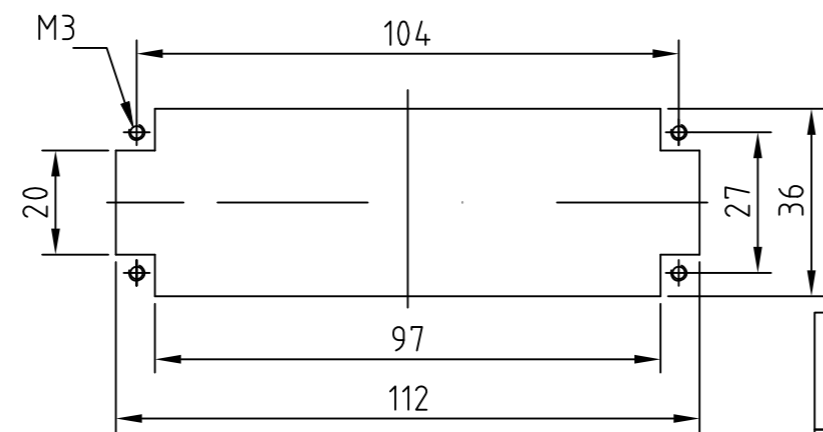
Printing 1-24



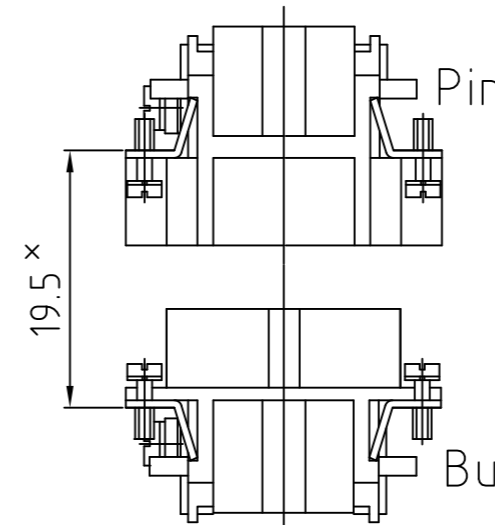
Printing 25-48



Panel cut-out for contact insert when used without housing



assembly directions



x distance for a safe contact max: max: 21 mm

NOTES:

- SUITABLE CRIMP CONTACTS: SERIES HE/HA OUTER DIMENSIONS OF INSULATION: MAX. $\phi 3,2$ MM
- SUITABLE HOOD SIZE 8; 12: SERIES HB; HD; HIP; EMV SUITABLE INSERTION AND EXTRACTION TOOL: SCREWDRIVER 0,5x3 DIN 5264
- Strip lenght: Screw conection 10mm Spring clamp conection 10mm Crimp conection 7.5mm
- STANDARDS: DIN EN 61984; DIN EN 60664-1
- PACKAGING: 5 SETS IN A CARTON, PRE-MOUNTED
- SPECIAL PACKAGING: Krauss-Maffei PACKAGING UNIT: 220 PIECES

ITEM NO.	DESCRIPTION / BENENNUNG	MATERIAL	COLOR / FARBE	ITEM NO. POS.
1	Socket contact		light grey	5
1	Deckel Federklemmversion		light grey	4
1	Crimp Crimp version		light grey	3
1	Cover screw version		light grey	2
1	Buchseinsatz		light grey	1

ITEM NO.	DESCRIPTION / BENENNUNG	MATERIAL	COLOR / FARBE	ITEM NO. POS.									
0	10	29	31	89	49	57	97	12	92	31	91	71	1
HE-24-BU-S-B1-24-KM	HE-24-BU-C-3-B1-24	HE-24-BU-SC-AU-B1-24	HE-24-BU-S-T-B12+6+6	HE-24-BU-S-AU-B25-48	HE-24-BU-S-AU-B1-24	HE-24-BU-SC-B-25-48	HE-24-BU-SC-B1-24	HE-24-BU-C-B-25-48	HE-24-BU-C-B1-24	HE-24-BU-S-B-25-48	HE-24-BU-S-T	HE-24-BU-S-B1-24	
OBSOLETE													
SUPERSEDED BY T2040243201-000													
SUPERSEDED BY T2040483201-000													
OBSOLETE													

THIS DRAWING IS A CONTROLLED DOCUMENT.		DWN Schneider 08.02.2000		TE Connectivity	
DIMENSIONS: mm		CHK Schweiger 08.02.2000		NAME	
TOLERANCES UNLESS OTHERWISE SPECIFIED:		APVD	Female insert HE.24.BU.S/C		
0 PLC		PRODUCT SPEC	SIZE		
1 PLC		APPLICATION SPEC	CAGE CODE		
2 PLC		WEIGHT	DRAWING NO		
3 PLC		CUSTOMER DRAWING	SCALE		
4 PLC			SHEET		
ANGLES			REV		

X-ON Electronics

Largest Supplier of Electrical and Electronic Components

Click to view similar products for [Heavy Duty Power Connectors](#) category:

Click to view products by [TE Connectivity](#) manufacturer:

Other Similar products are found below :

[647757-1](#) [6643411-1](#) [6646058-2](#) [6646137-1](#) [6646138-1](#) [6646479-1](#) [6646608-1](#) [6646786-1](#) [6646940-1](#) [6651091-1](#) [6651525-1](#) [6651529-1](#)
[6651788-1](#) [696475-1](#) [702-32-01109](#) [703-25-02205](#) [73000005059](#) [73000005642](#) [73080255059](#) [73080965046](#) [765-15-0080A](#) [765-16-0080B](#)
[765-18-0080D](#) [829992-1](#) [902-77-02113](#) [PS00/A0620/6300](#) [PS25/A0420/63](#) [129-1J](#) [1409400](#) [AN0024023](#) [E6374G1](#) [e6389g2](#) [157-43GW8](#)
[MS3117-14AC](#) [1643543-1](#) [1650540-1](#) [1651811-2](#) [1766260-1](#) [1766282-1](#) [1766966-1](#) [1791340000](#) [NLDFT-3-BL-L-S120-M40A](#) [NLDFT-N-](#)
[W-L-C240-M40B](#) [NLS-2-R-C240-M40B](#) [NLS-N-W-C240-M40B](#) [NPS-3-BL-T6](#) [1986615-1](#) [2-1589900-8](#) [2199314-1](#) [KA8102](#)