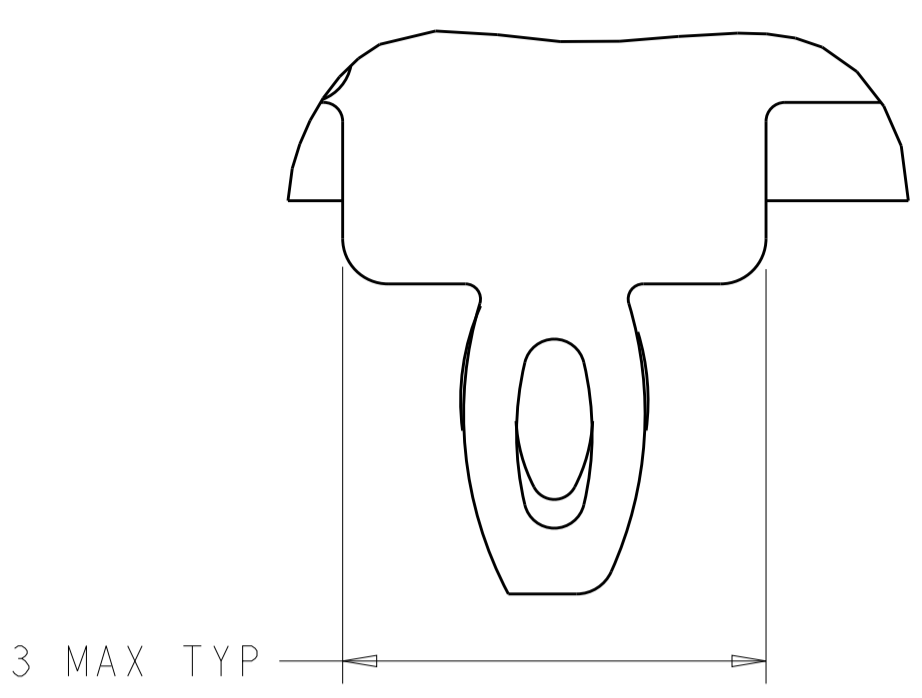


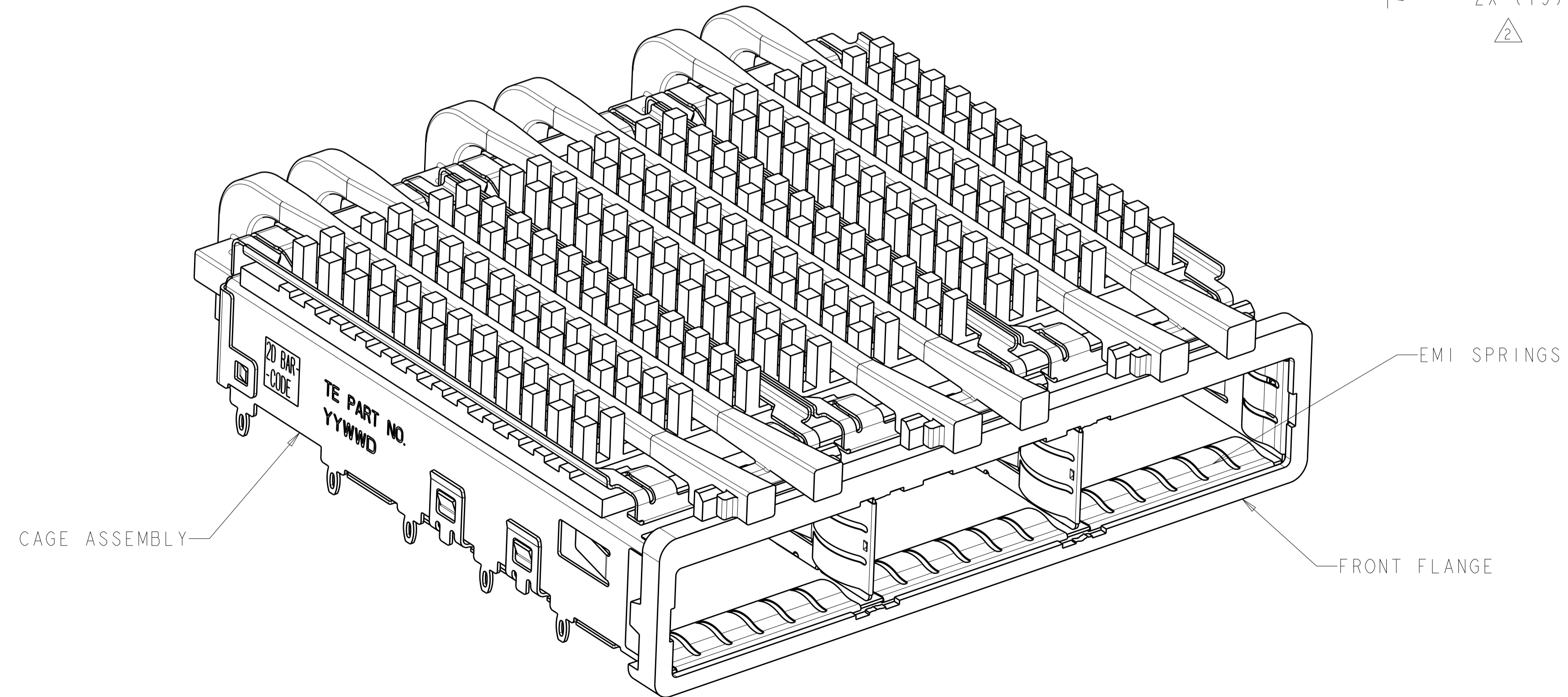
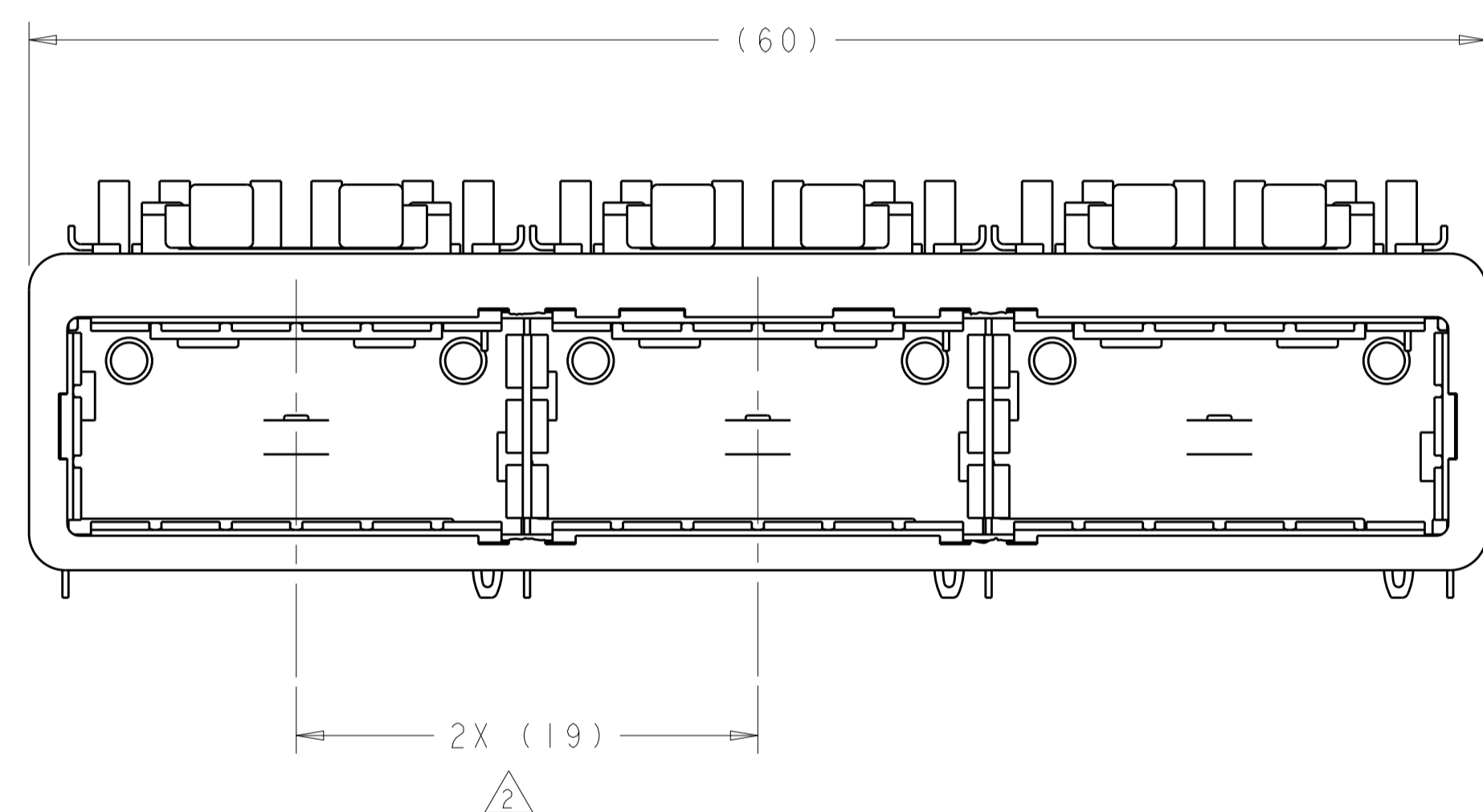
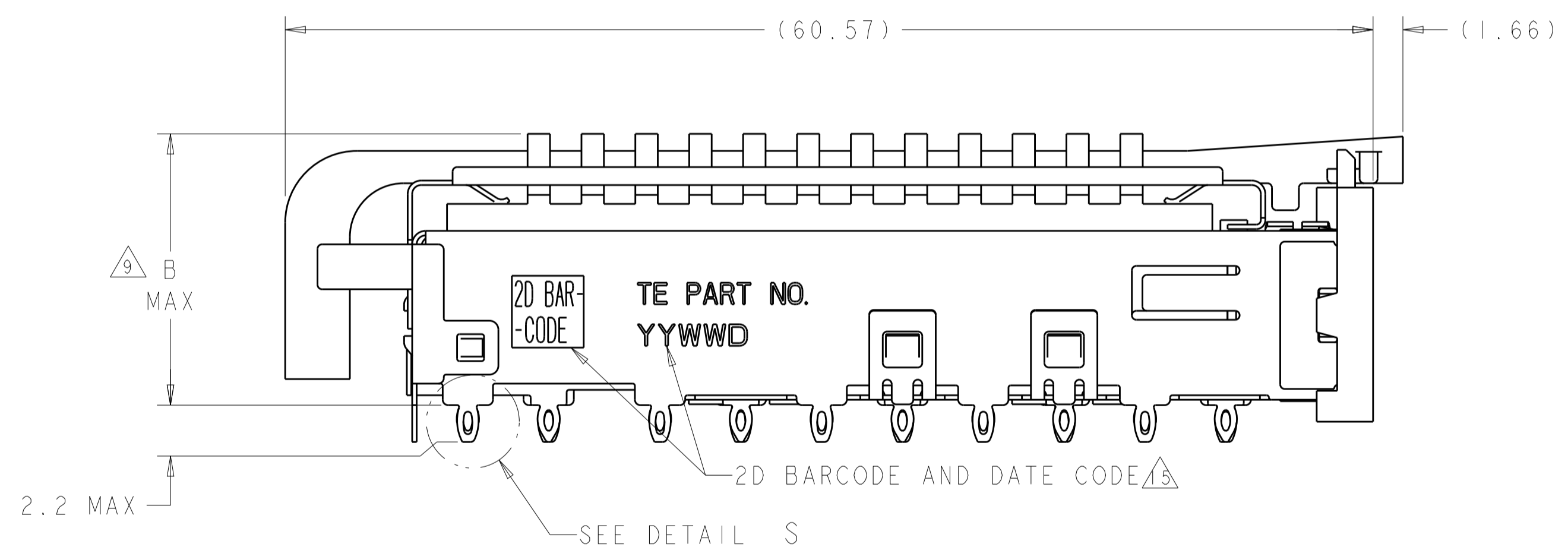
| LOC | DIST | REVISIONS |     |                           |           |     |      |
|-----|------|-----------|-----|---------------------------|-----------|-----|------|
| GP  | 00   | P         | LTN | DESCRIPTION               | DATE      | DWN | APVD |
|     |      | D         |     | REVISED PER ECO-10-018054 | 04NOV2010 | CJV | EJB  |
|     |      | E         |     | REVISED PER ECO-12-005533 | 05APR2012 | JY  | AC   |
|     |      | F         |     | REVISED PER ECO-14-016878 | 03DEC2014 | RG  | MC   |



DETAIL S  
 SCALE 20:1

- 1 MATERIALS:  
 CAGE ASSEMBLY: NICKEL SILVER, 0.25 THICK  
 HEAT SINK: ALUMINUM  
 HEAT SINK CLIP: STAINLESS STEEL  
 EMI SPRING: COPPER ALLOY  
 FRONT FLANGE: ZINC ALLOY  
 LIGHT PIPE: CLEAR POLYCARBONATE
- 2 PITCH BETWEEN PORTS OF ONE 1X3 CAGE ASSEMBLY.
- 3 SPACING BETWEEN CAGES ON THE SAME PC BOARD, TO BE SPECIFIED BY CUSTOMER, MUST COMPLY WITH MINIMUM DIMENSIONS SHOWN.
- 4 REFERENCE APPLICATION SPEC 114-13218 FOR RECOMMENDED DRILL HOLE DIAMETER AND PLATING THICKNESS.
- 5 DATUMS AND BASIC DIMENSIONS ESTABLISHED BY CUSTOMER.
- 6 DIMENSION C IS THE NOMINAL THICKNESS OF CUSTOMER SUPPLIED PC BOARD.  
 SINGLE SIDED PC BOARD MIN THICKNESS = 1.45mm  
 DOUBLE SIDED PC BOARD MIN THICKNESS = 2.2mm.
- 7 HEAT SINKS, LIGHT PIPES, AND CLIP SHIPPED ASSEMBLED TO CAGE ASSEMBLY. CAGE ASSEMBLY MAY BE PRESSED INTO THE PCB AS SHIPPED.
- 8 DATUM -A- IS TOP SURFACE OF PC BOARD.

- 9 DIMENSION APPLIES WITH MODULE INSERTED IN CAGE.
- 10 UNPLATED THRU HOLE.
- 11 MAXIMUM HEIGHT OF LED OFF BOARD: 0.9mm.
- 12. MATES WITH QSFP MSA COMPATIBLE TRANSCEIVER.
- 13 SURFACE TRACES PERMITTED WITHIN THIS AREA EXCEPT WHERE CAGE STANDOFFS, SHOWN IN DETAILS, CONTACT PC BOARD.
- 14 BASELINE FOR THESE DIMENSIONS IS THE CENTER OF COMPLIANT PIN HOLE.
- 15 2D BARCODE AND DATE CODE (YYWWD) MARKED ON SIDE OF CAGE.
- 16 REFERENCE APP SPEC 114-13218 FOR GASKET THICKNESS CALCULATION.
- 17 FINISH:  
 EMI SPRING: 2µm MINIMUM TIN  
 FRONT FLANGE: 3µm MINIMUM TIN OVER 1.27µm MINIMUM NICKEL OVER 5.08µm MINIMUM COPPER  
 HEATSINK: NICKEL
- 18 HEAT SINKS AND CLIPS SHIPPED ASSEMBLED TO CAGE ASSEMBLY. CAGE ASSEMBLY MAY BE PRESSED INTO THE PCB AS SHIPPED. LIGHT PIPES, SHIPPED UNATTACHED, MUST BE ASSEMBLED BY CUSTOMER AFTER THE CAGE IS SEATED IN THE PCB.



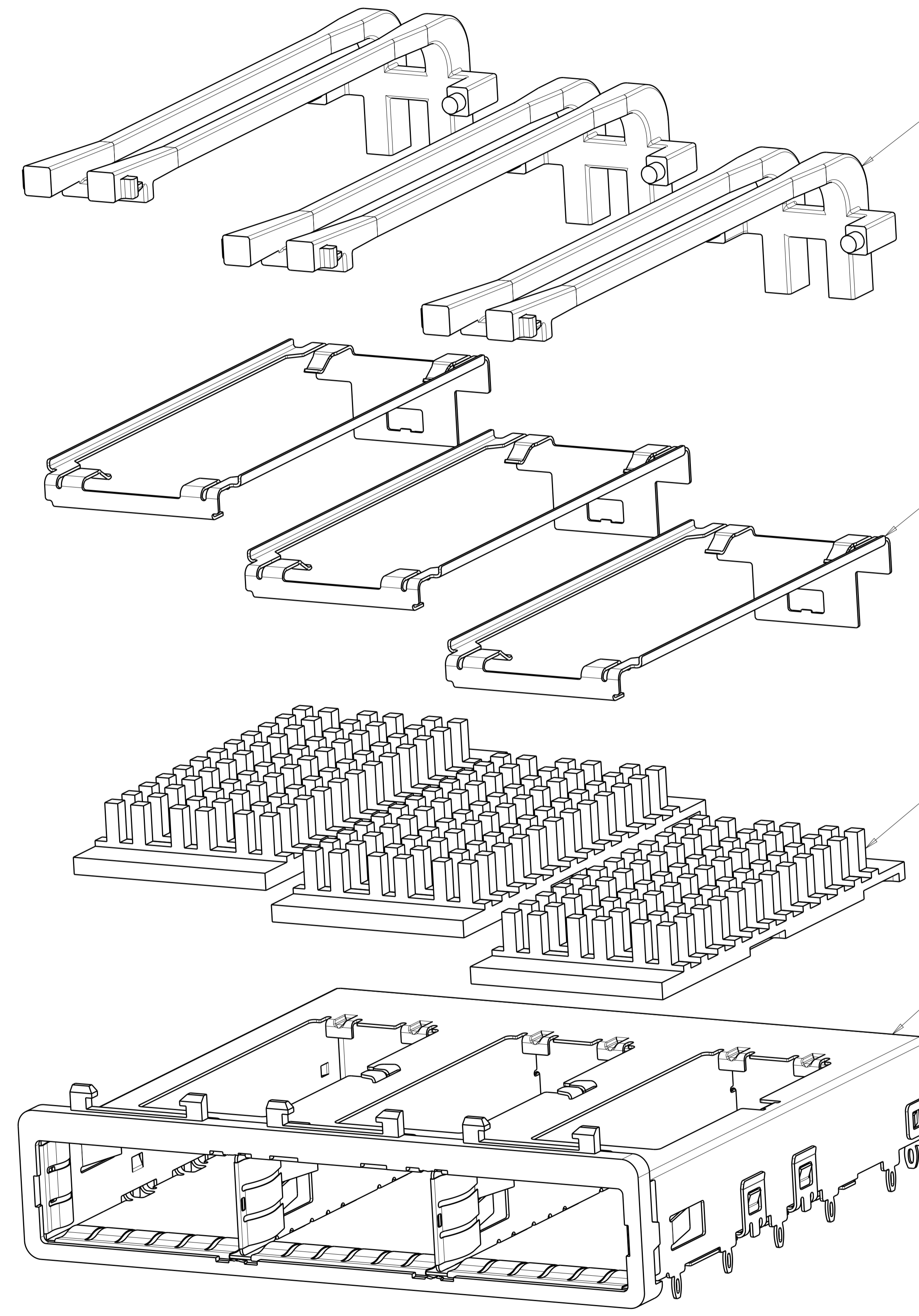
|      |                   |             |
|------|-------------------|-------------|
| 23.0 | NETWORKING        | 2110412-3   |
| 16.0 | SAN               | 2110412-2   |
| 13.7 | PCI               | 2110412-1   |
| B    | HEAT SINK PROFILE | PART NUMBER |

THIS DRAWING IS A CONTROLLED DOCUMENT.

|             |   |                            |                            |                            |
|-------------|---|----------------------------|----------------------------|----------------------------|
| DIMENSIONS: | TOLERANCES UNLESS OTHERWISE SPECIFIED:  | DWN C. VALENTINE 28FEB2008 | CHK J. PETERSON 28FEB2008  | APVD J. PETERSON 28FEB2008 |
| mm          | 0 PLC ±0.1<br>1 PLC ±0.1<br>2 PLC ±0.1<br>3 PLC ±0.1<br>4 PLC ±0.1<br>ANGLES ±0.1 | PRODUCT SPEC 108-2286      | APPLICATION SPEC 114-13218 | WEIGHT                     |
| MATERIAL    | FINISH  | CUSTOMER DRAWING           |                            |                            |

NAME: 1X3 CAGE ASSEMBLY, BEHIND BEZEL, W/ SQUARE LIGHT PIPES AND HEAT SINKS QSFP  
 SIZE: CAGE CODE DRAWING NO: A100779C=2110412  
 RESTRICTED TO: -  
 SCALE: 4:1 SHEET 1 OF 5 REV F

| LOC | DIST | REVISIONS   |      |     |      |
|-----|------|-------------|------|-----|------|
| P   | LTN  | DESCRIPTION | DATE | DMN | APVD |
| -   | -    | SEE SHEET 1 | -    | -   | -    |
|     |      |             |      |     |      |
|     |      |             |      |     |      |



SQUARE DOUBLE LIGHT PIPES  $\triangle$   $\triangle$   
 QUANTITY: 3

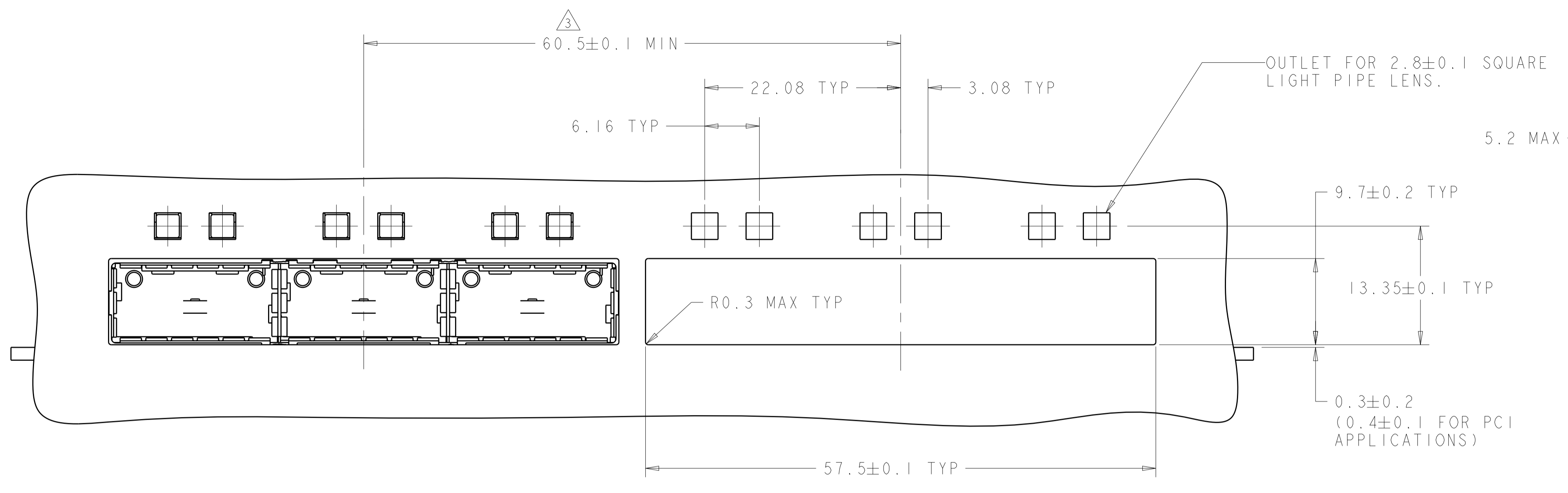
HEAT SINK CLIPS  $\triangle$   $\triangle$   
 QUANTITY: 3

72 PIN HEAT SINKS  $\triangle$   $\triangle$   
 QUANTITY: 3

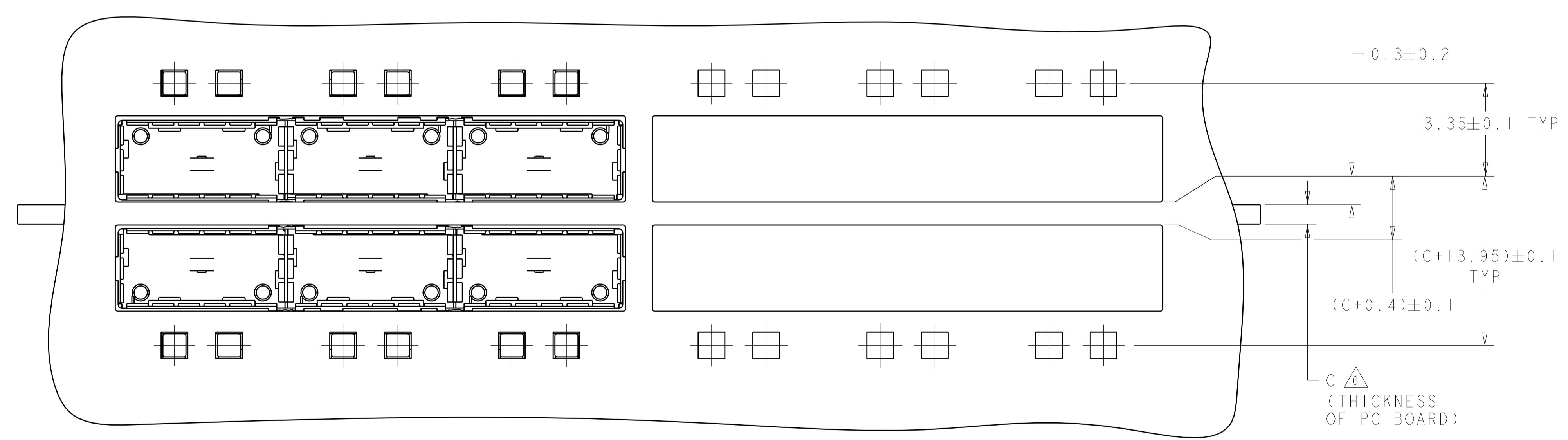
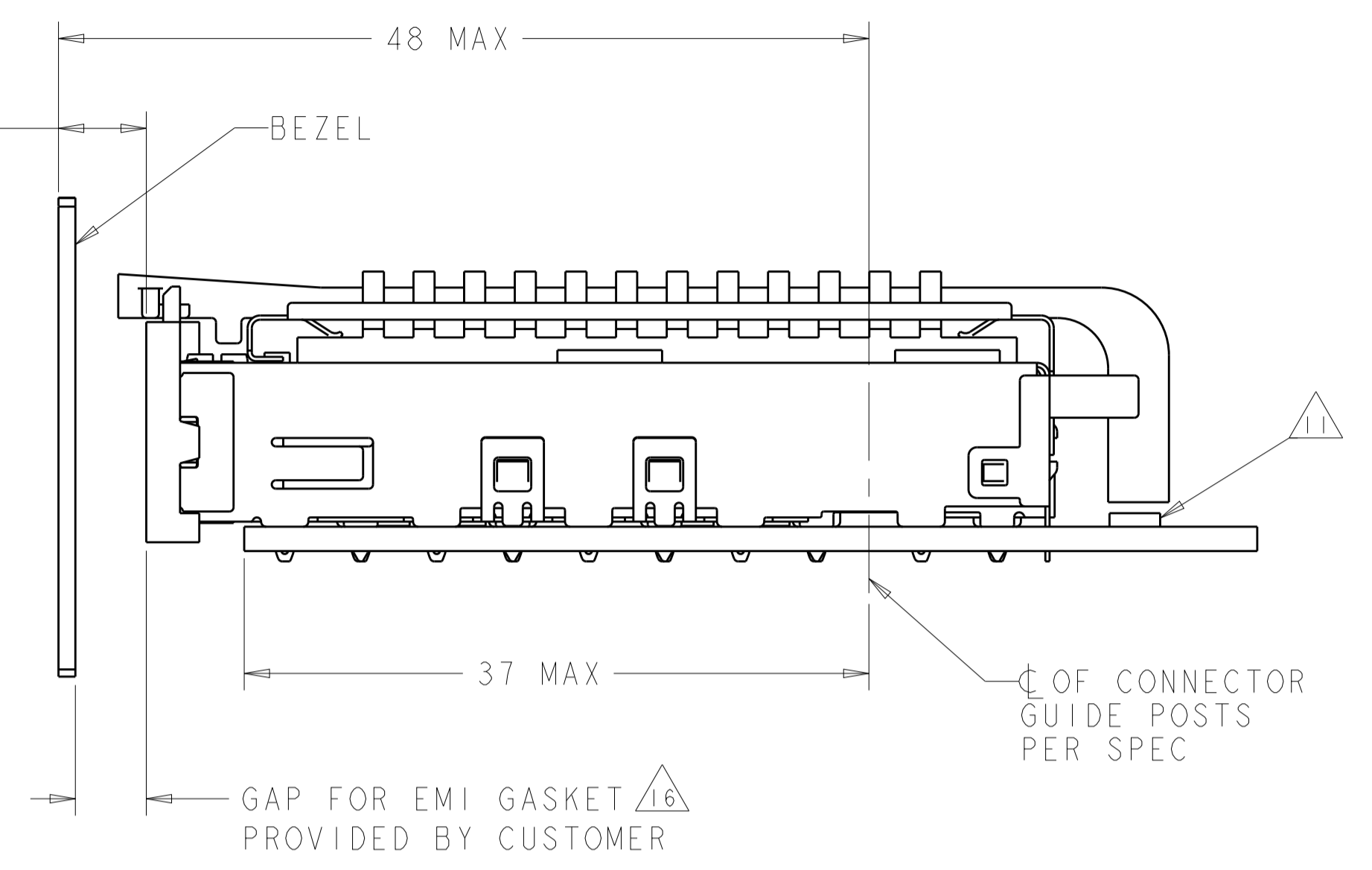
1X3 BEHIND BEZEL QSFP  
 CAGE ASSEMBLY  
 QUANTITY: 1

|   |  |                                  |  |
|---|--|----------------------------------|--|
| THIS DRAWING IS A CONTROLLED DOCUMENT.  |  | DMN<br>C. VALENTINE<br>28FEB2008 | TE Connectivity  |
| DIMENSIONS:<br>mm   |  | CHK<br>J. PETERSON<br>28FEB2008  |  |
| TOLERANCES UNLESS OTHERWISE SPECIFIED:<br>0 PLC ±<br>1 PLC ±0.1<br>2 PLC ±0.1<br>3 PLC ±<br>4 PLC ±<br>ANGLES ±<br>FINISH |  | APVD<br>J. PETERSON<br>28FEB2008 | NAME<br>1X3 CAGE ASSEMBLY, BEHIND BEZEL,<br>W/ SQUARE LIGHT PIPES AND HEAT SINKS<br>QSFP |
| MATERIAL  |  | PRODUCT SPEC<br>108-2286         | RESTRICTED TO  |
| FINISH  |  | APPLICATION SPEC<br>114-13218    | SIZE CAGE CODE DRAWING NO<br>A100779C=2110412  |
| CUSTOMER DRAWING  |  | WEIGHT                           | SCALE 4:1 SHEET 2 OF 5 REV F   |

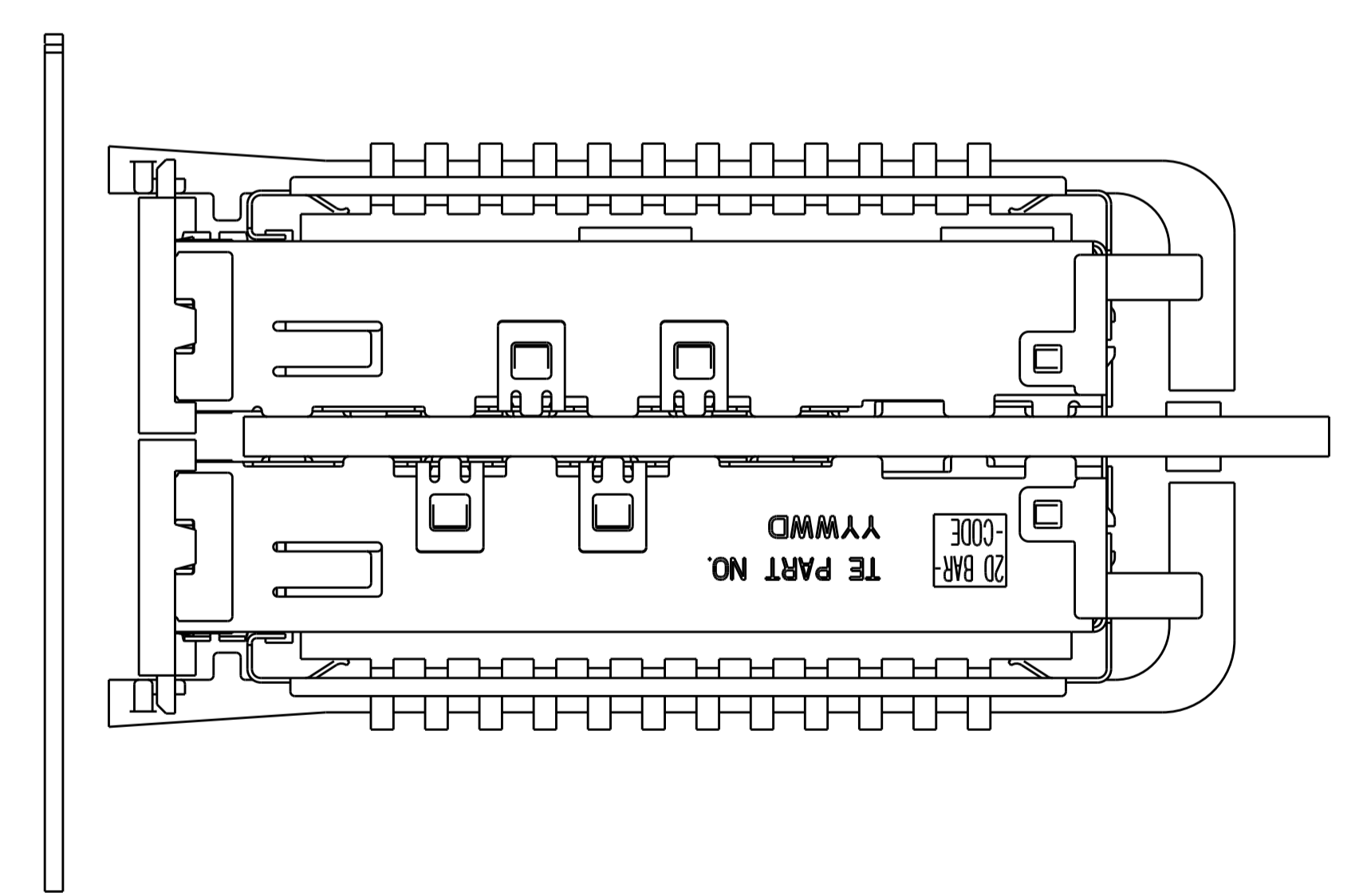
| LOC |    | DIST |     | REVISIONS   |      |     |      |
|-----|----|------|-----|-------------|------|-----|------|
| GP  | 00 | P    | LTN | DESCRIPTION | DATE | DMN | APVD |
| -   | -  | -    | -   | SEE SHEET 1 | -    | -   | -    |



ONE SIDED CONFIGURATION  
 SCALE 3:1

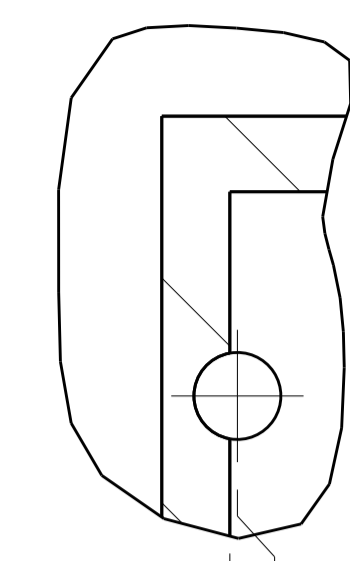


BELLY TO BELLY CONFIGURATION  
 SIMILAR TO ONE SIDED  
 EXCEPT WHERE NOTED  
 SCALE 3:1

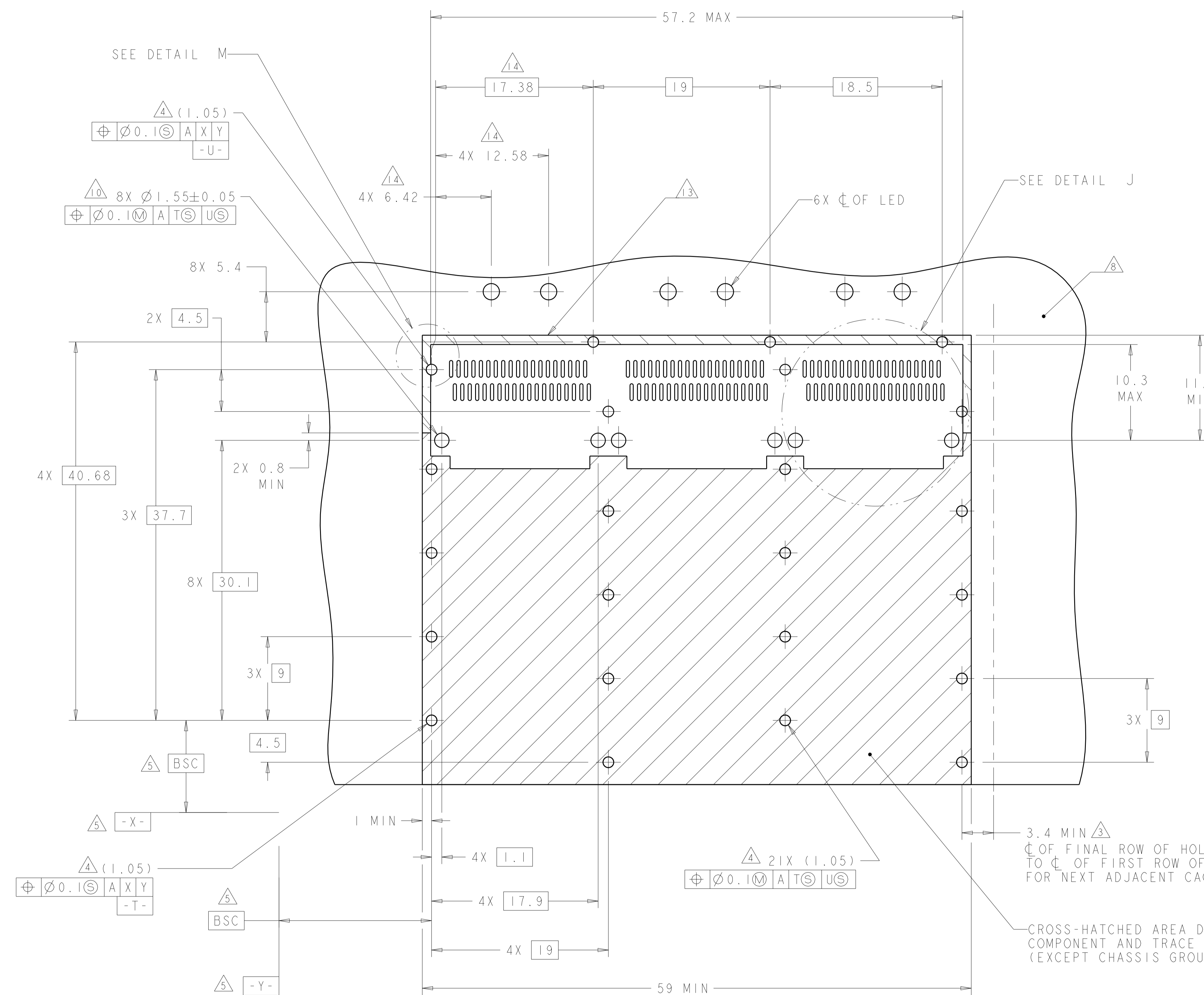


|  |  |                                  |   |
|--|--|----------------------------------|---|
| THIS DRAWING IS A CONTROLLED DOCUMENT. |  | DMN<br>C. VALENTINE<br>28FEB2008 |   |
| DIMENSIONS:                            |  | CHK<br>J. PETERSON<br>28FEB2008  |   |
| mm                                     | TOLERANCES UNLESS OTHERWISE SPECIFIED: | APVD<br>J. PETERSON<br>28FEB2008 | NAME<br>1X3 CAGE ASSEMBLY, BEHIND BEZEL,<br>W/ SQUARE LIGHT PIPES AND HEAT SINKS,<br>QSFP |
| 0 PLC ±                                | 1 PLC ±0.1                             | PRODUCT SPEC                     | SIZE CAGE CODE DRAWING NO   |
| 2 PLC ±0.1                             | 3 PLC ±                                | APPLICATION SPEC                 | RESTRICTED TO   |
| 4 PLC ±                                | ANGLES ±                               | 114-13218                        | A100779C=2110412  |
| MATERIAL                               | FINISH                                 | WEIGHT                           | CUSTOMER DRAWING  |
|  |  | SCALE 4:1                        | SHEET 3 OF 5  |
|  |  | REV F                            |   |

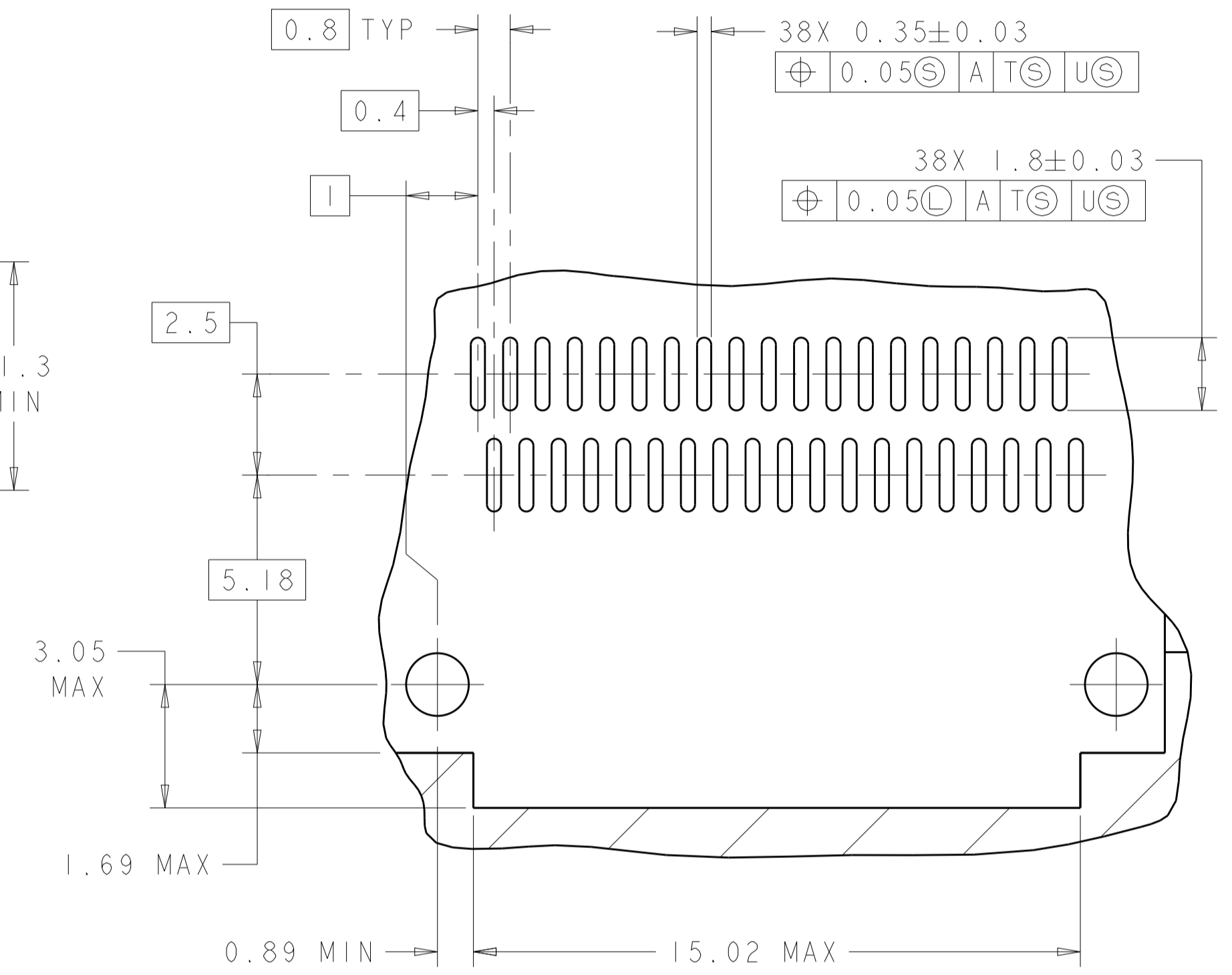
| LOC | DIST | REVISIONS   |      |    |      |
|-----|------|-------------|------|----|------|
| GP  | 00   | REV         | DATE | BY | APPV |
| -   | -    | SEE SHEET 1 | -    | -  | -    |



DETAIL M  
SCALE 10:1



RECOMMENDED PC BOARD LAYOUT  
 SINGLE SIDE MOUNT CONFIGURATION  
 SCALE 4:1



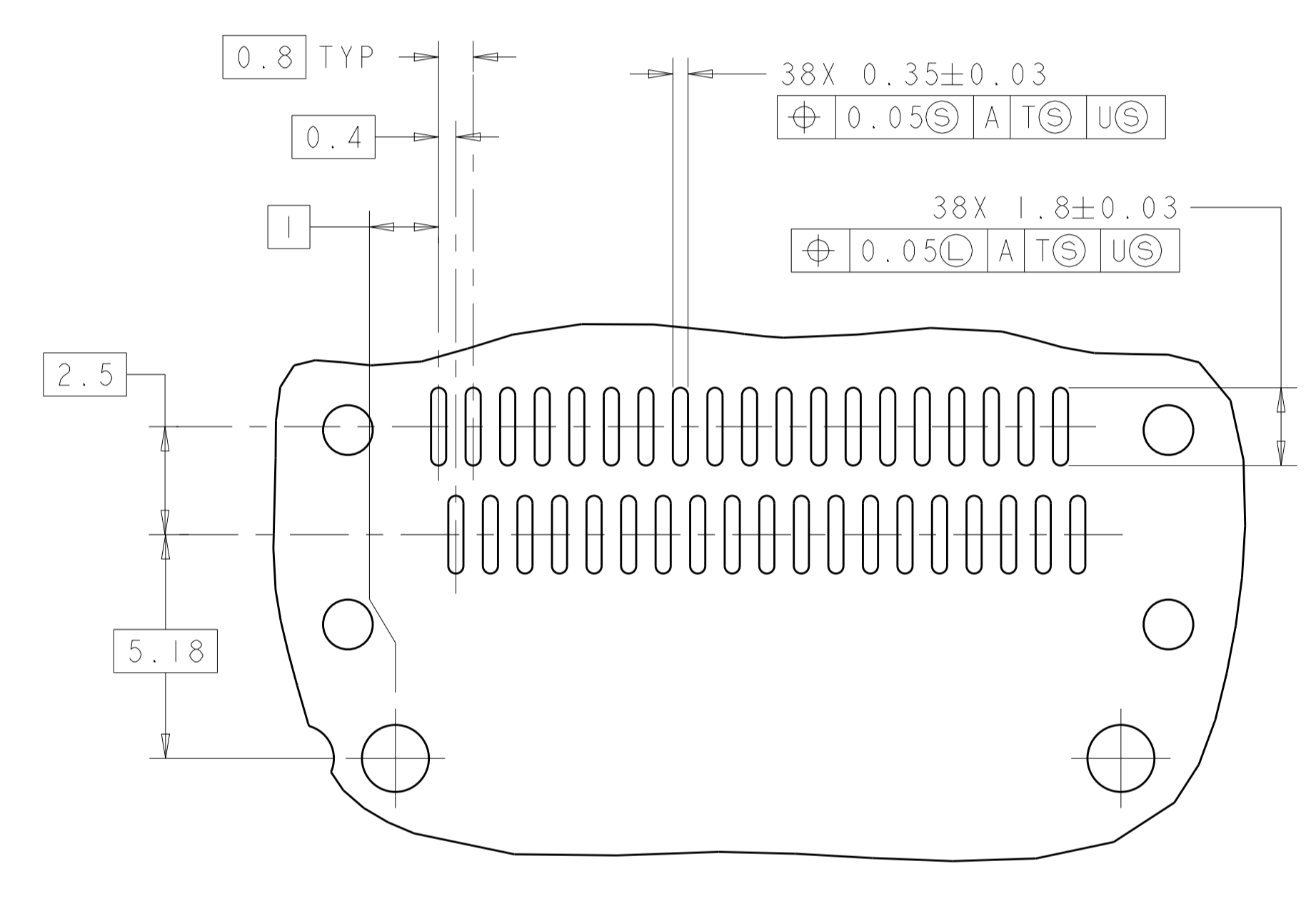
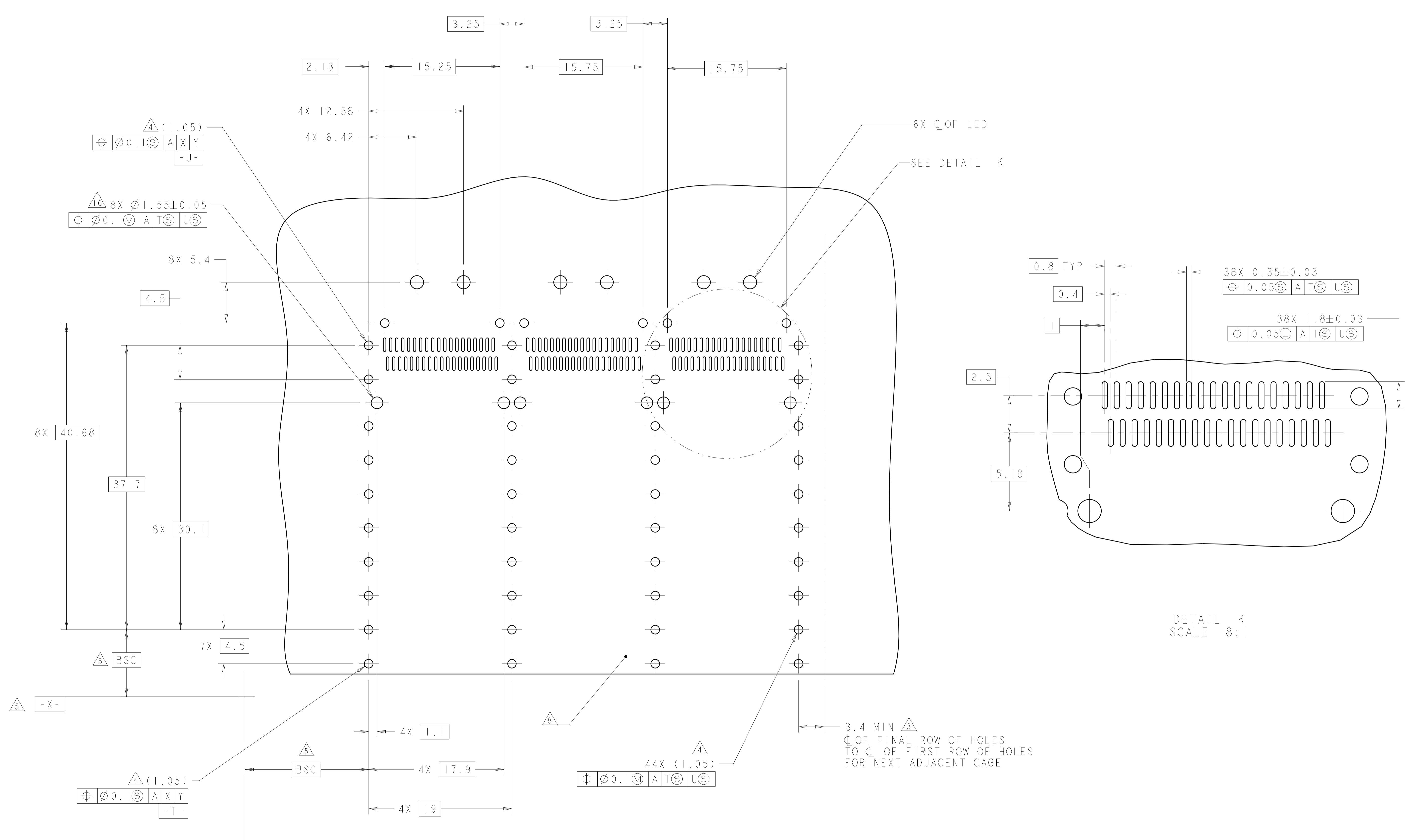
DETAIL J  
 3 PLACES  
 SCALE 8:1

3.4 MIN  $\Delta$   
 CL OF FINAL ROW OF HOLES  
 TO CL OF FIRST ROW OF HOLES  
 FOR NEXT ADJACENT CAGE

CROSS-HATCHED AREA DENOTES  
 COMPONENT AND TRACE KEEP-OUT  
 (EXCEPT CHASSIS GROUND)

|  |            |                             |  |
|--|------------|-----------------------------|--|
| THIS DRAWING IS A CONTROLLED DOCUMENT. |            | OWN: C. VALENTINE 28FEB2008 | TE Connectivity  |
| DIMENSIONS: mm                         |            | CHK: J. PETERSON 28FEB2008  |  |
| TOLERANCES UNLESS OTHERWISE SPECIFIED: |            | APVD: J. PETERSON 28FEB2008 | NAME: 1X3 CAGE ASSEMBLY, BEHIND BEZEL, W/ SQUARE LIGHT PIPES AND HEAT SINKS QSFP |
| 0 PLC ±                                | 1 PLC ±0.1 | PRODUCT SPEC: 108-2286      | SIZE: CAGE CODE: DRAWING NO: A100779C=2110412                                    |
| 2 PLC ±0.1                             | 3 PLC ±    | APPLICATION SPEC: 114-13218 | RESTRICTED TO: -   |
| 4 PLC ±                                | ANGLES ±   | WEIGHT: -                   | CUSTOMER DRAWING   |
| MATERIAL: -                            |            | FINISH: -                   | SCALE: 4:1 SHEET 4 OF 5 REV F  |

| LOC | DIST | REVISIONS |     |             |      |     |      |
|-----|------|-----------|-----|-------------|------|-----|------|
| GP  | 00   | P.        | LTH | DESCRIPTION | DATE | DMN | APVD |
|     |      | -         |     | SEE SHEET 1 | -    | -   | -    |



DETAIL K  
SCALE 8:1

RECOMMENDED PC BOARD LAYOUT  
 BELLY TO BELLY CONFIGURATION  
 SEE SHEET 4 FOR COMPONENT AND TRACE KEEP-OUTS  
 SCALE 4:1

|  |  |                                  |  |
|--|--|----------------------------------|--|
| THIS DRAWING IS A CONTROLLED DOCUMENT. |  | DMN<br>C. VALENTINE<br>28FEB2008 | TE Connectivity  |
| DIMENSIONS: mm                         |  | CHK<br>J. PETERSON<br>28FEB2008  |  |
| TOLERANCES UNLESS OTHERWISE SPECIFIED: |  | APVD<br>J. PETERSON<br>28FEB2008 | NAME<br>1X3 CAGE ASSEMBLY, BEHIND BEZEL,<br>W/ SQUARE LIGHT PIPES AND HEAT SINKS<br>QSFP |
|  |  | PRODUCT SPEC<br>108-2286         | RESTRICTED TO  |
| MATERIAL                               |  | APPLICATION SPEC<br>114-13218    | SIZE CAGE CODE DRAWING NO<br>A100779C=2110412  |
| FINISH                                 |  | WEIGHT                           | SCALE 4:1 SHEET 5 OF 5 REV F   |
|  |  | CUSTOMER DRAWING                 |  |

## X-ON Electronics

Largest Supplier of Electrical and Electronic Components

*Click to view similar products for [I/O Connectors](#) category:*

*Click to view products by [TE Connectivity](#) manufacturer:*

Other Similar products are found below :

[571763P](#) [58098-0628](#) [72.250.1628.2](#) [72.250.2428.2](#) [74720-0505](#) [76.350.0729.0](#) [76871-1403](#) [FCN-244F080-G/1](#) [FCN-260A9920](#) [PCR-E36PM](#) [PCS-XE26MA+](#) [G38A71314B](#) [1571250010](#) [157-22500-3](#) [MS3471L14-19P L/C](#) [172501-4002](#) [172501-6002](#) [FCN-260C008-A/L0](#) [FCN-260C024-AL0](#) [FCN-261Z008](#) [2000314-1](#) [200331-1](#) [PCR-E36FC+](#) [PCS-E28FS+](#) [PCS-XE26SLFD+](#) [PCS-XE26SLFDT+](#) [G730VID08BDC24](#) [U90B2054081210](#) [38113800006](#) [DP3AR020WQ1R200](#) [Z4.102.0680.0](#) [500-1040](#) [500-1052](#) [500-1054](#) [ZP-4008-66L](#) [0709821002](#) [DX40-20P\(55\)](#) [5554841-1](#) [MS3474W18-8P-LC\\*](#) [U90B3054061110](#) [U65-E04-4020](#) [ZPF000000000097891](#) [747360449](#) [10099439-003C-TRLF](#) [10137239-0021LF](#) [E9320-001-01](#) [10137239-0011LF](#) [70289-001LF](#) [70.060.1028.0](#) [109029-ZZ](#)