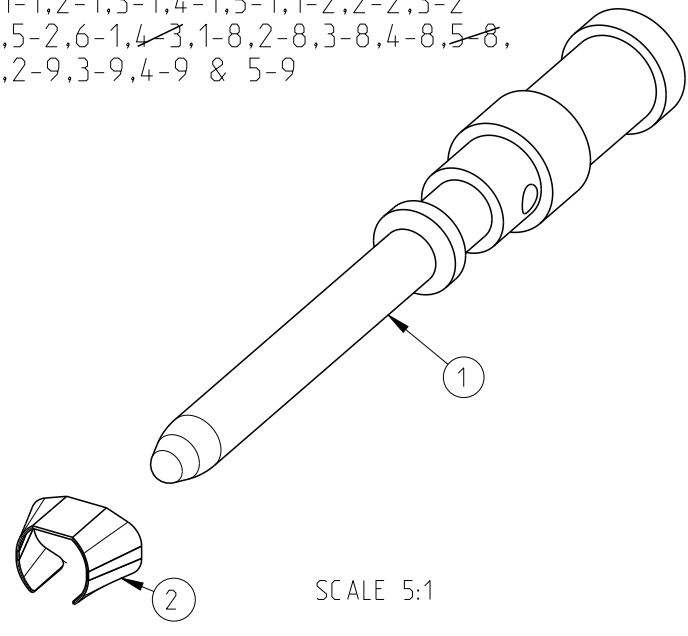
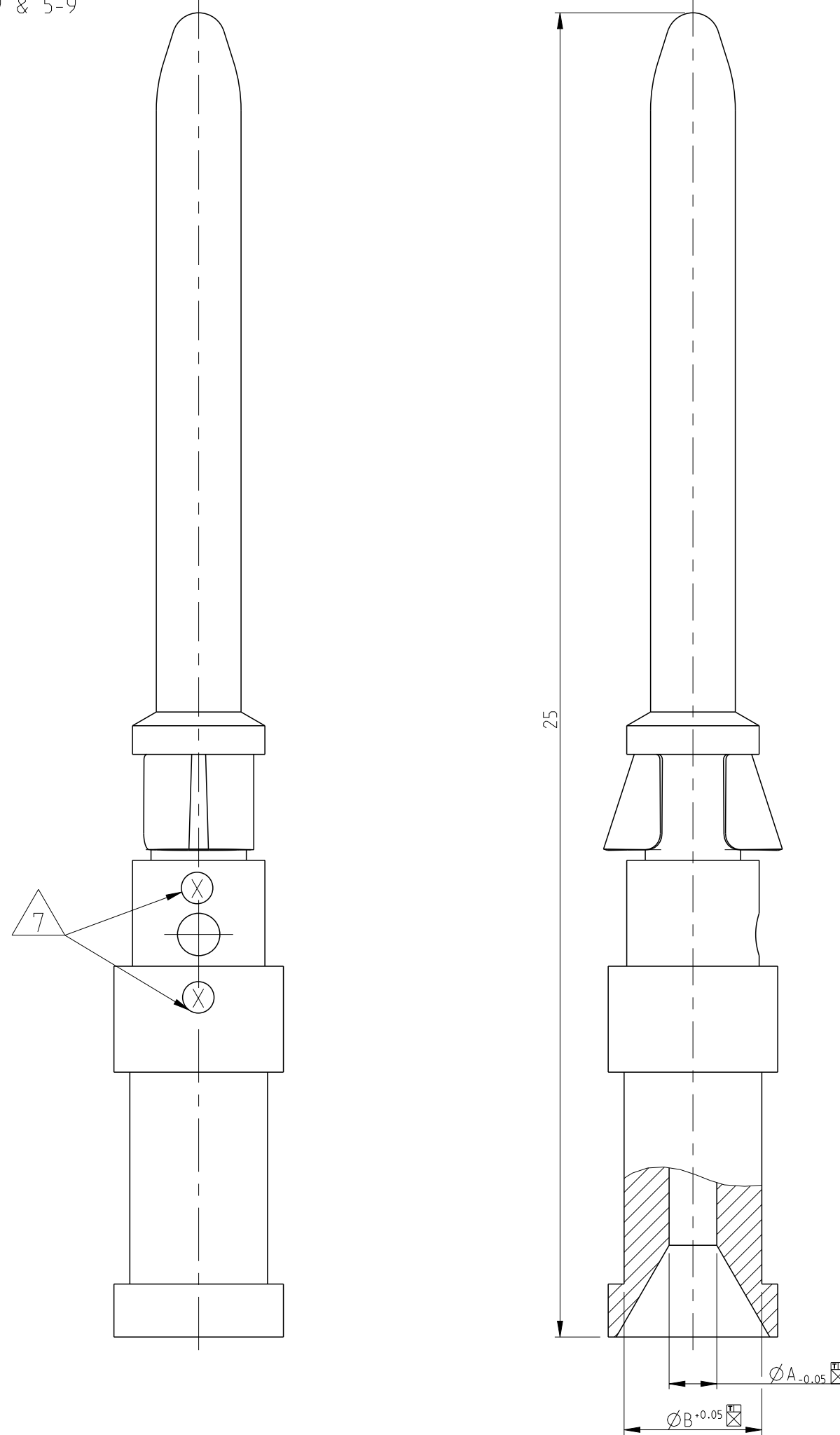


THIS DRAWING IS UNPUBLISHED. RELEASED FOR PUBLICATION 1997  
 © COPYRIGHT 1997 ALL RIGHTS RESERVED.

PN 1-1.2-1.3-1.4-1.5-1.1-2.2-2.3-2  
 4-2.5-2.6-1.4-3.1-8.2-8.3-8.4-8.5-8,  
 4-9.2-9.3-9.4-9 & 5-9

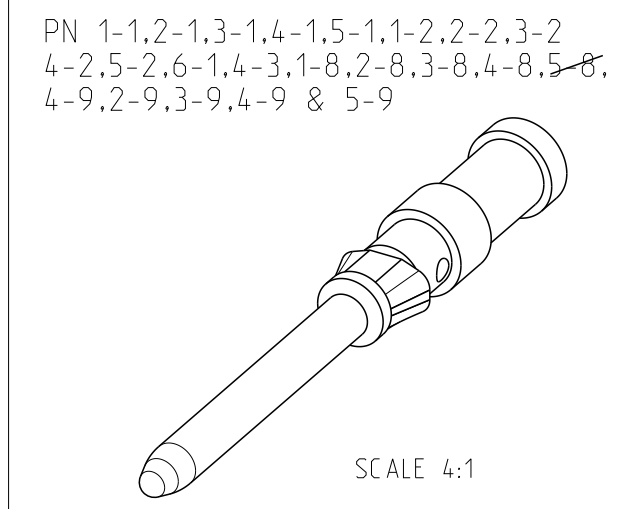


PN 1-1.2-1.3-1.4-1.5-1.1-2.2-2.3-2  
 4-2.5-2.6-1.4-3.1-8.2-8.3-8.4-8.5-8,  
 4-9.2-9.3-9.4-9 & 5-9



LOC		DIST		REVISIONS			
P	LTR	DESCRIPTION	DATE	DWN	APVD		
B13		Released As per ECR-09-005436	9-Mar-2009	CJ	TS		
B14		ECR-11-002636	05APR2011	SR	AR		
B15		REVISED PER ECR-16-016780	19AUG2017	NG	MKO		

- NOTES
- 1 MATERIAL SEE TABLE
  - 2 SURFACE SEE TABLE
  - 3 ASSEMBLY WEIGHT SEE TABLE
  - 4 PACKAGING: 50 PIECES IN POLY-BAG 0-1243085-8
  - 5 PACKAGING: 500 PIECES IN POLY-BAG 0-1243085-8
  - 6 PACKAGING: 10 PIECES IN POLY-BAG 0-1243085-8
  - 7 CROSS-SECTION MARKING



QTY	DESCRIPTION	WEIGHT IN (KG)	MATERIAL	SURFACE	ØA	ØB	CROSS SECTION MARKING	POS
1	Catch Spring		Stainless Steel					2
1	Pin Contact 1.5 mm <sup>2</sup>	0.00062	Ms/Brass	Ag/Ni	1.8	3.0		4
1	Pin Contact 4.0 mm <sup>2</sup>	0.00059	Ms/Brass	Ag/Ni	2.4	3.2		6
1	Pin Contact 2.5 mm <sup>2</sup>	0.00067	Ms/Brass	Au	2.2	3.2		5
1	Pin Contact 1.5 mm <sup>2</sup>	0.00067	Ms/Brass	Au	1.8	3.0		4
1	Pin Contact 0.75-10 mm <sup>2</sup>	0.00063	Ms/Brass	Au	1.45	2.6		3
1	Pin Contact 0.5 mm <sup>2</sup>	0.00062	Ms/Brass	Au	1.1	2.6		2
1	Pin Contact 0.14-0.37 mm <sup>2</sup>	0.00061	Ms/Brass	Au	0.9	2.6		1
1	Pin Contact 2.5 mm <sup>2</sup>	0.00065	Ms/Brass	Ag/Cu	2.2	3.2		5
1	Pin Contact 1.5 mm <sup>2</sup>	0.00067	Ms/Brass	Ag/Cu	1.8	3.0		4
1	Pin Contact 0.75-10 mm <sup>2</sup>	0.00063	Ms/Brass	Ag/Cu	1.45	2.6		3
1	Pin Contact 0.5 mm <sup>2</sup>	0.00062	Ms/Brass	Ag/Cu	1.1	2.6		2
1	Pin Contact 0.14-0.37 mm <sup>2</sup>	0.00061	Ms/Brass		0.9	2.6		1
1	Pin Contact 0.14-0.37 mm <sup>2</sup>	0.00065	Fe	Au	0.9	2.6		1
1	Pin Contact 0.14-0.37 mm <sup>2</sup>	0.00067	Ms/Brass	Ag/Cu	0.9	2.6		1

THIS DRAWING IS A CONTROLLED DOCUMENT.

DWN: Braun 23.07.1997  
 CHK: Schurpfeil 23.07.1997  
 APVD: -

PRODUCT SPEC: 108-74018  
 APPLICATION SPEC: 114-74015  
 WEIGHT: -

NAME: PIN CONTACT SERIES HN.D

SIZE: A2  
 CAGE CODE: 00779  
 DRAWING NO: C-1105050  
 RESTRICTED TO: -

CUSTOMER DRAWING SCALE: 10:1 SHEET: 1 OF 1 REV: B15

## X-ON Electronics

Largest Supplier of Electrical and Electronic Components

*Click to view similar products for [Heavy Duty Power Connectors](#) category:*

*Click to view products by [TE Connectivity](#) manufacturer:*

Other Similar products are found below :

[647757-1](#) [6643411-1](#) [6646058-2](#) [6646137-1](#) [6646138-1](#) [6646479-1](#) [6646608-1](#) [6646786-1](#) [6646940-1](#) [6651091-1](#) [6651525-1](#) [6651529-1](#)  
[6651788-1](#) [696475-1](#) [702-32-01109](#) [703-25-02205](#) [73000005059](#) [73000005642](#) [73080255059](#) [73080965046](#) [765-15-0080A](#) [765-16-0080B](#)  
[765-18-0080D](#) [829992-1](#) [902-77-02113](#) [PS00/A0620/6300](#) [PS25/A0420/63](#) [129-1J](#) [1409400](#) [AN0024023](#) [E6374G1](#) [e6389g2](#) [157-43GW8](#)  
[MS3117-14AC](#) [1643543-1](#) [1650540-1](#) [1651811-2](#) [1766260-1](#) [1766282-1](#) [1766966-1](#) [1791340000](#) [NLDFT-3-BL-L-S120-M40A](#) [NLDFT-N-](#)  
[W-L-C240-M40B](#) [NLS-2-R-C240-M40B](#) [NLS-N-W-C240-M40B](#) [NPS-3-BL-T6](#) [1986615-1](#) [2-1589900-8](#) [2199314-1](#) [KA8102](#)