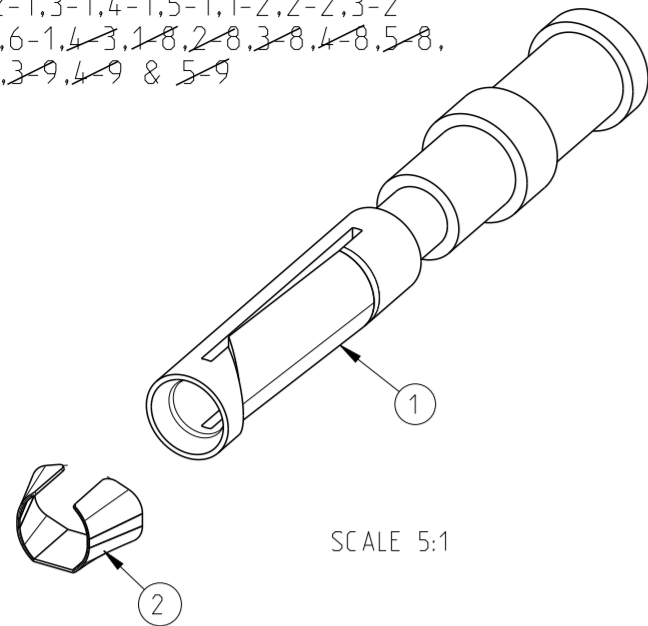
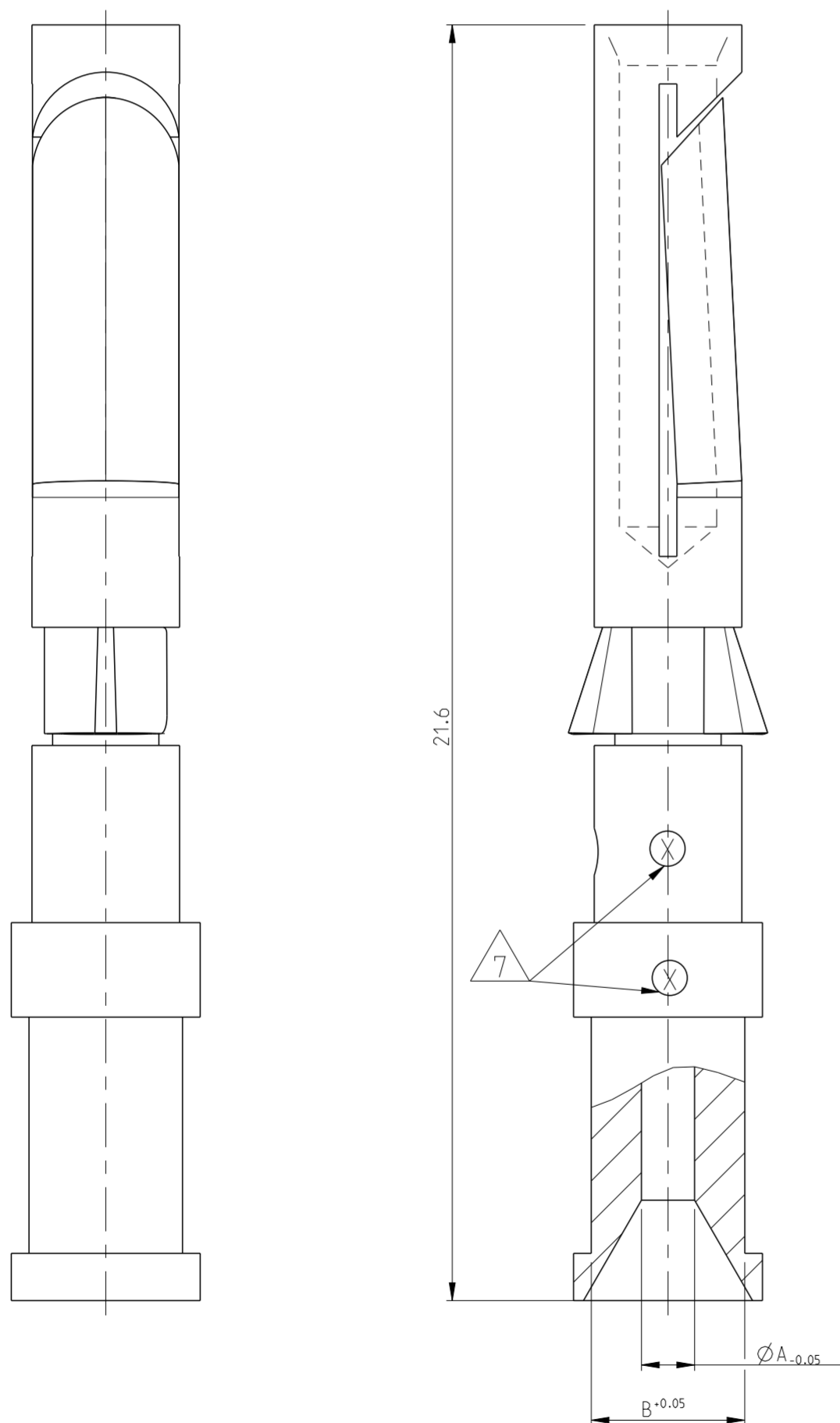


THIS DRAWING IS UNPUBLISHED. RELEASED FOR PUBLICATION 1997  
 © COPYRIGHT 1997 ALL RIGHTS RESERVED.

PN 1-1.2-1.3-1.4-1.5-1.1-2.2-2.3-2  
 4-2.5-2.6-1.4-3.1-8.2-8.3-8.4-8.5-8.  
~~4-9.2-9.3-9.4-9 & 5-9~~



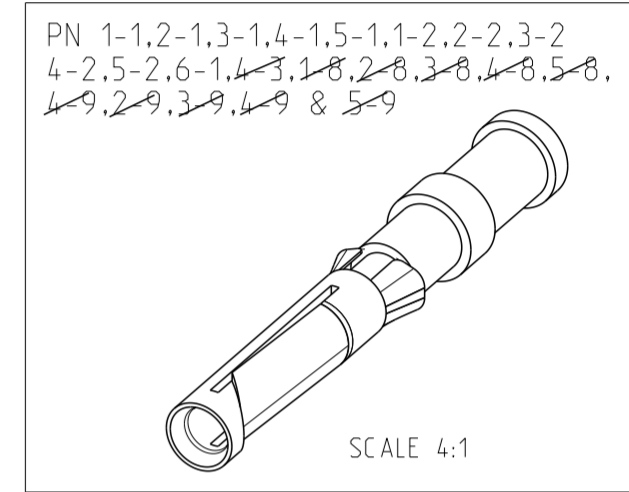
PN 1-1.2-1.3-1.4-1.5-1.1-2.2-2.3-2  
 4-2.5-2.6-1.4-3.1-8.2-8.3-8.4-8.5-8.  
~~4-9.2-9.3-9.4-9 & 5-9~~



| LOC | DIST | REVISIONS |     |                            |           |     |      |
|-----|------|-----------|-----|----------------------------|-----------|-----|------|
|     |      | P         | LTR | DESCRIPTION                | DATE      | DWN | APVD |
| A1  | -    | B3        |     | REWORKED PER ECR 09-026789 | 08DEC2009 | MH  | BR   |
|     |      | B4        |     | ECR-11-002636              | 05APR2011 | SR  | AR   |
|     |      | B5        |     | REVISED PER ECR-16-016780  | 22AUG2017 | NG  | MKO  |

NOTES

- 1 MATERIAL SEE TABLE
- 2 SURFACE SEE TABLE
- 3 ASSEMBLY WEIGHT SEE TABLE
- 4 PACKAGING: 50 PIECES IN POLY-BAG 0-1243085-8
- 5 PACKAGING: 500 PIECES IN POLY-BAG 0-1243085-8
- 6 PACKAGING: 10 PIECES IN POLY-BAG 0-1243085-8
- 7 CROSS-SECTION MARKING



| QTY | DESCRIPTION                              | WEIGHT IN (KG) | MATERIAL        | SURFACE | $\phi A$ | $\phi B$ | CROSS SECTION MARKING | POS |
|-----|--|----------------|-----------------|---------|----------|----------|-----------------------|-----|
| 1   | Catch Spring                             |                | Stainless Steel |         |          |          |                       | 2   |
| 1   | Socket Contact 1.5 mm <sup>2</sup>       | 0.00062        | Brass           | Ag/Ni   | 1.8      | 3.0      | 4                     |     |
| 1   | Socket Contact 4.0 mm <sup>2</sup>       | 0.00059        | Brass           | Ag/Ni   | 2.4      | 3.2      | 6                     |     |
| 1   | Socket Contact 2.5 mm <sup>2</sup>       | 0.00067        | Brass           | Au      | 2.2      | 3.2      | 5                     |     |
| 1   | Socket Contact 1.5 mm <sup>2</sup>       | 0.00067        | Brass           | Au      | 1.8      | 3.0      | 4                     |     |
| 1   | Socket Contact 0.75-10 mm <sup>2</sup>   | 0.00063        | Brass           | Au      | 1.45     | 2.6      | 3                     |     |
| 1   | Socket Contact 0.5 mm <sup>2</sup>       | 0.00062        | Brass           | Au      | 1.1      | 2.6      | 2                     |     |
| 1   | Socket Contact 0.14-0.37 mm <sup>2</sup> | 0.00061        | Brass           | Au      | 0.9      | 2.6      | 1                     |     |
| 1   | Socket Contact 2.5 mm <sup>2</sup>       | 0.00065        | Brass           | Ag/Cu   | 2.2      | 3.2      | 5                     | 1   |
| 1   | Socket Contact 1.5 mm <sup>2</sup>       | 0.00067        | Brass           | Ag/Cu   | 1.8      | 3.0      | 4                     |     |
| 1   | Socket Contact 0.75-10 mm <sup>2</sup>   | 0.00063        | Brass           | Ag/Cu   | 1.45     | 2.6      | 3                     |     |
| 1   | Socket Contact 0.5 mm <sup>2</sup>       | 0.00062        | Brass           | Ag/Cu   | 1.1      | 2.6      | 2                     |     |
| 1   | Socket Contact 0.14-0.37 mm <sup>2</sup> | 0.00061        | Brass           |         | 0.9      | 2.6      | 1                     |     |
| 1   | Socket Contact 0.14-0.37 mm <sup>2</sup> | 0.00065        | Fe              | Au      | 0.9      | 2.6      | 1                     |     |
| 1   | Socket Contact 0.14-0.37 mm <sup>2</sup> | 0.00067        | Brass           | Ag/Cu   | 0.9      | 2.6      | 1                     |     |

THIS DRAWING IS A CONTROLLED DOCUMENT.

DWN Braun 23.07.1997  
 CHK Schurpfeil 23.07.1997

APVD -

NAME -

PRODUCT SPEC 108-74018  
 APPLICATION SPEC 114-74015

WEIGHT -

CUSTOMER DRAWING

SCALE 10:1 SHEET 1 OF 1 REV B5

STE TE Connectivity

SOCKET CONTACT SERIES HN.D

SIZE A2 CAGE CODE 00779 DRAWING NO C-1105051 RESTRICTED TO -

## X-ON Electronics

Largest Supplier of Electrical and Electronic Components

*Click to view similar products for [Heavy Duty Power Connectors](#) category:*

*Click to view products by [TE Connectivity](#) manufacturer:*

Other Similar products are found below :

[647757-1](#) [6643411-1](#) [6646058-2](#) [6646137-1](#) [6646138-1](#) [6646479-1](#) [6646608-1](#) [6646786-1](#) [6646940-1](#) [6651091-1](#) [6651525-1](#) [6651529-1](#)  
[6651788-1](#) [696475-1](#) [702-32-01109](#) [703-25-02205](#) [73000005059](#) [73000005642](#) [73080255059](#) [73080965046](#) [765-15-0080A](#) [765-16-0080B](#)  
[765-18-0080D](#) [829992-1](#) [902-77-02113](#) [PS00/A0620/6300](#) [PS25/A0420/63](#) [129-1J](#) [1409400](#) [AN0024023](#) [E6374G1](#) [e6389g2](#) [157-43GW8](#)  
[MS3117-14AC](#) [1643543-1](#) [1650540-1](#) [1651811-2](#) [1766260-1](#) [1766282-1](#) [1766966-1](#) [1791340000](#) [NLDFT-3-BL-L-S120-M40A](#) [NLDFT-N-](#)  
[W-L-C240-M40B](#) [NLS-2-R-C240-M40B](#) [NLS-N-W-C240-M40B](#) [NPS-3-BL-T6](#) [1986615-1](#) [2-1589900-8](#) [2199314-1](#) [KA8102](#)