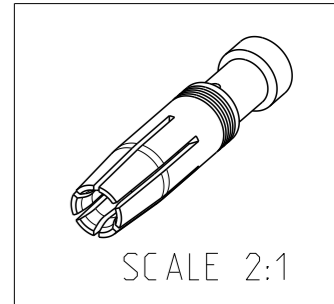
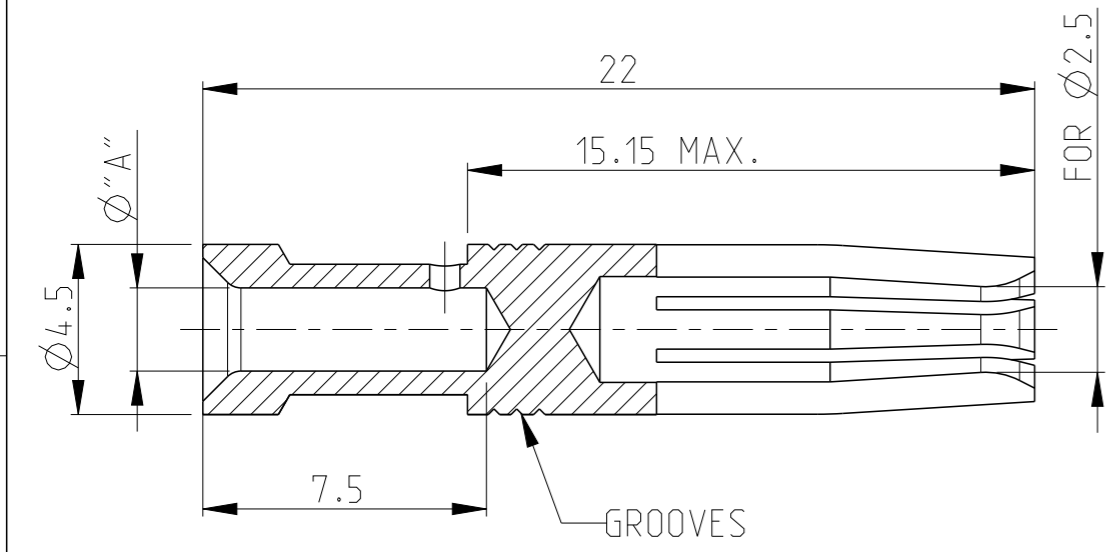


THIS DRAWING IS UNPUBLISHED. RELEASED FOR PUBLICATION 2006
 © COPYRIGHT 2006 BY - ALL RIGHTS RESERVED.

LOC	DIST	REVISIONS					
A1	-	P	LTR	DESCRIPTION	DATE	DWN	APVD
			J5	ECR-15-003938	26MAR2015	RK	MKO
			J6	ECR-16-016696	15SEP2017	GA	MKO
			J7	ECR-16-016780	15NOV2017	GR	MKO
			J8	ECR-17-014011	28MAR2018	SG	MKO



Notes

- 1 MATERIAL: BRASS
- 2 FINISH SILVER PLATING: 2 µm Ag MIN. OVER Cu
- 3 FINISH GOLD PLATING: 0.75 µm Au MIN. OVER Ni
- 4 FINISH TIN PLATING: 0.6 µm Sn. MIN. OVER Cu
- 5 VENTILATION HOLE PRESENT ON ALL PARTS
- 6 WEIGHT: 0.00160 kg, PER PIECE (APPROX.)
- 7 PACKAGING: 50 PIECES IN POLYBAG
- 8 PACKAGING: 500 PIECES IN POLYBAG & CARTON
- 9 PACKAGING: 20000 PIECES IN POLYBAGS & CARTONS
- 10 SUITABLE PIN CONTACT: PN 1105100
- 11 SUITABLE INSERTS: SERIES HA, HE, HVE, HVS
- 12 SUITABLE CRIMP TOOL: PN 1-1105851-8
- 13 SUITABLE INSERTION TOOL: PN 0-1102855-6
- 14 SUITABLE EXTRACTION TOOL: PN 0-1102855-7
- 15 STANDARDS: DIN EN 61984, DIN EN 60664-1
- 16 OBSOLETE

HE/HA-C-Bu.Sn	CROSS SECTION	DIMS	NO.OF GROOVES	P.U.=50	P.U.=500	P.U.=20000
4,0mm ²	TIN 4	4.0	2.8	-	-	5-3
2,5mm ²		2.5	2.2	3	-	4-3
1,5mm ²		1.5	1.7	2	-	3-3
HE/HA-C-Bu.Au	GOLD 3	4.0	2.8	-	5-2	-
2,5mm ²		2.5	2.2	3	4-2	-
1,5mm ²		1.5	1.7	2	3-2	-
HE/HA-C-Bu.Au	SILVER 2	0.75-1.0	1.4	1	2-2	-
0,5mm ²		0.5	1.1	-	1-2	-
0,14-0,37mm ²		0.14-0.37	0.9	3	6-2	-
HE/HA-C-Bu.Ag	SILVER 2	4.0	2.8	-	5-1	-
2,5mm ²		2.5	2.2	3	4-1	-
1,5mm ²		1.5	1.7	2	3-1	-
HE/HA-C-Bu.Ag	SILVER 2	0.75-1.0	1.4	1	2-1	-
0,5mm ²		0.5	1.1	-	1-1	-
0,14-0,37mm ²		0.14-0.37	0.9	3	6-1	-
		[MM ²]	"A"	MARKINGS	PACKAGING UNIT	
ORDERING TEXT	PLATING	CROSS SECTION	DIMS	NO.OF GROOVES	BAG	BOX

THIS DRAWING IS A CONTROLLED DOCUMENT.

DWN G.WROBLEWSKI 20SEP2007
 CHK H.BRAUN 20SEP2007
 APVD T.SCHNURPFIL 20SEP2007

TE Connectivity

SOCKET CONTACT SERIES HA, HE, HVE

PRODUCT SPEC 108-74004
 APPLICATION SPEC 114-74003

SIZE A3 CAGE CODE 00779 DRAWING NO C=1105101 RESTRICTED TO -

Customer Drawing SCALE 5:1 SHEET 1 OF 1 REV J8

X-ON Electronics

Largest Supplier of Electrical and Electronic Components

Click to view similar products for [Heavy Duty Power Connectors](#) category:

Click to view products by [TE Connectivity](#) manufacturer:

Other Similar products are found below :

[1424439](#) [1424438](#) [09330062652](#) [605601-1](#) [6340G1](#) [6341G1](#) [6360G1](#) [6373G1](#) [6374g2](#) [6396G1](#) [647757-1](#) [6643411-1](#) [6646058-2](#) [6646137-1](#)
[6646138-1](#) [6646348-1](#) [6646479-1](#) [6646608-1](#) [6646786-1](#) [6646940-1](#) [6651525-1](#) [6651529-1](#) [6651778-1](#) [6651788-1](#) [696465-1](#) [696475-1](#)
[73000005059](#) [73000005349](#) [73000005642](#) [73080965046](#) [765-15-0080A](#) [765-16-0080B](#) [789.700-44](#) [789.700-54](#) [80-1010](#) [80-9](#) [827381-1](#)
[829992-1](#) [902-77-02113](#) [PL00U-301-10D10](#) [PM103MOOLOO](#) [PM212MOOLOO](#) [PM309FOOLOO](#) [PM324FOOLCH](#) [PMHPAF11S03](#)
[PMHPAF14S01](#) [PMHPAM14P05](#) [PMHPAS06](#) [PMHPBF14S01](#) [PP45PC12S](#)