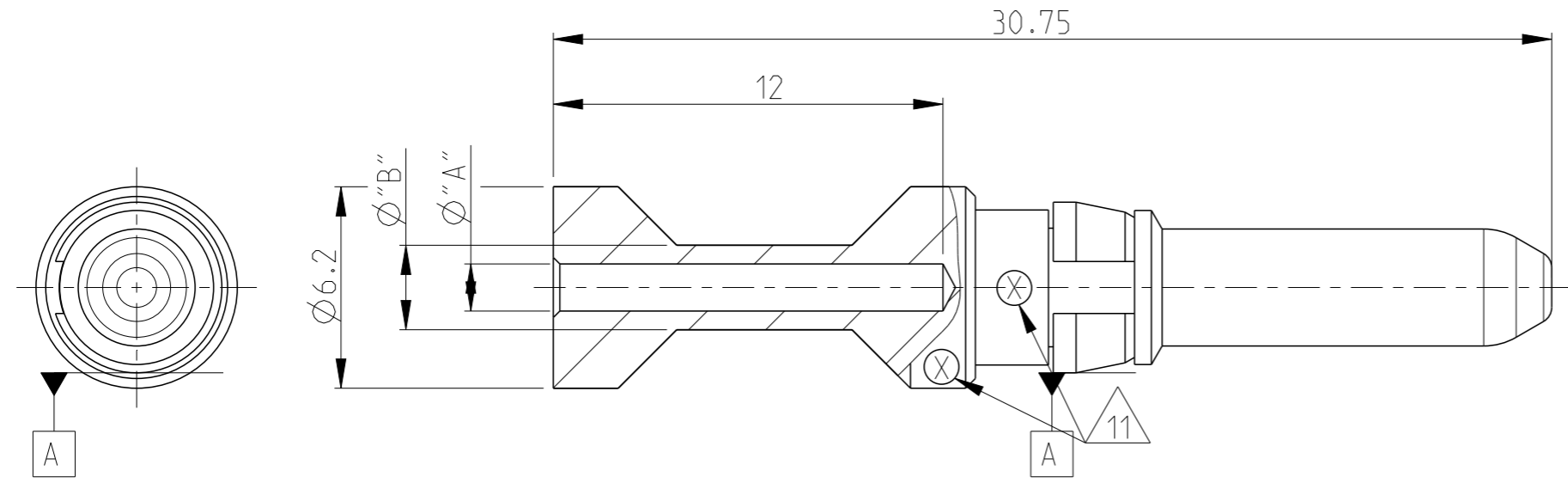


THIS DRAWING IS UNPUBLISHED. RELEASED FOR PUBLICATION 2006
 © COPYRIGHT 2006 BY - ALL RIGHTS RESERVED.

REVISIONS					
P	LTR	DESCRIPTION	DATE	DWN	APVD
	A2	PN3-2; 5-2; 6-2 OBSOLETE	Eg00-1426-03	17.04.03	SR SM
	A3	ECR-09-005436		10MAR2010	VG MH
	A4	ECR-16-016696		23AUG2017	GCM MKO



- Notes
- 1 MATERIAL: BRASS
 - 2 FINISH SILVER PLATING: 2 μ m Ag MIN. OVER Cu
 - 3 FINISH GOLD PLATING: 0.75 μ m Au MIN. OVER Ni
 - 4 NO VENTILATION HOLE REQUIRED AT CROSS-SECTION >4.0 MM²
 - 5 WEIGHT: 3.33 g, VOLUME: 394mm³ (APPROX.)
 - 6 SUITABLE SOCKET CONTACT: CUSTOMER DRAWING 1105251
 - 7 SUITABLE INSERTS: SERIES HSM, CUSTOMER DRAWING
 - 8 SUITABLE CRIMP TOOL: PN 1-1105850-8
 - 9 SUITABLE INSERTION TOOL: PN 0-1102855-6
 - 10 SUITABLE EXTRACTION TOOL: PN 0-1102855-4
 - 11 CROSS-SECTION MARKING
 - 12 STANDARDS: DIN EN 61984, DIN EN 60664-1

OBSOLETE	HSM.Sti.C.Au 10.0mm ²	GOLD 3	10	4.35	5.9	8	12
OBSOLETE	HSM.Sti.C.Au 6.0mm ²		6.0	3.5	4.9	7	12
OBSOLETE	HSM.Sti.C.Au 4.0mm ²		4.0	2.85	3.9	6	12
OBSOLETE	HSM.Sti.C.Au 2.5mm ²		2.5	2.2	3.2	5	12
OBSOLETE	HSM.Sti.C.Au 1.5mm ²		1.5	1.8	3.0	4	12
OBSOLETE	HSM.Sti.C.Au 0.75mm ²		0.75-1.0	1.45	2.6	3	12
	HSM.Sti.C.Ag 10.0mm ²	SILBER 2	10	4.35	5.9	8	12
	HSM.Sti.C.Ag 6.0mm ²		6.0	3.5	4.9	7	12
	HSM.Sti.C.Ag 4.0mm ²		4.0	2.85	3.9	6	12
	HSM.Sti.C.Ag 2.5mm ²		2.5	2.2	3.2	5	12
	HSM.Sti.C.Ag 1.5mm ²		1.5	1.8	3.0	4	12
	HSM.Sti.C.Ag 0.75mm ²		0.75-1.0	1.45	2.6	3	12
			[MM ²]	"A"	"B"	CROSS-SECTION MARKINGS	[mm]
	ORDERING TEXT	PLATING	CROSS SECTION	DIMENSIONS			STRIPPING-LENGTH

THIS DRAWING IS A CONTROLLED DOCUMENT.

DWN V.GLUMM 10MAR2010
 CHK H.BRAUN 10MAR2010
 APVD T.SCHNURPFIL 10MAR2010

NAME: PIN CONTACT SERIES HSM

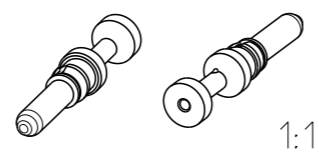
PRODUCT SPEC APPLICATION SPEC

WEIGHT: A3 00779 C=1105250

CUSTOMER DRAWING

SCALE: 5:1 SHEET: 1 OF 1 REV: A4

RESTRICTED TO: -



X-ON Electronics

Largest Supplier of Electrical and Electronic Components

Click to view similar products for [Heavy Duty Power Connectors](#) category:

Click to view products by [TE Connectivity](#) manufacturer:

Other Similar products are found below :

[647757-1](#) [6643411-1](#) [6646058-2](#) [6646137-1](#) [6646138-1](#) [6646479-1](#) [6646608-1](#) [6646786-1](#) [6646940-1](#) [6651091-1](#) [6651525-1](#) [6651529-1](#)
[6651788-1](#) [696475-1](#) [702-32-01109](#) [703-25-02205](#) [73000005059](#) [73000005642](#) [73080255059](#) [73080965046](#) [765-15-0080A](#) [765-16-0080B](#)
[765-18-0080D](#) [829992-1](#) [902-77-02113](#) [PS00/A0620/6300](#) [PS25/A0420/63](#) [129-1J](#) [1409400](#) [AN0024023](#) [E6374G1](#) [e6389g2](#) [157-43GW8](#)
[MS3117-14AC](#) [1643543-1](#) [1650540-1](#) [1651811-2](#) [1766260-1](#) [1766282-1](#) [1766966-1](#) [1791340000](#) [NLDFT-3-BL-L-S120-M40A](#) [NLDFT-N-](#)
[W-L-C240-M40B](#) [NLS-2-R-C240-M40B](#) [NLS-N-W-C240-M40B](#) [NPS-3-BL-T6](#) [1986615-1](#) [2-1589900-8](#) [2199314-1](#) [KA8102](#)