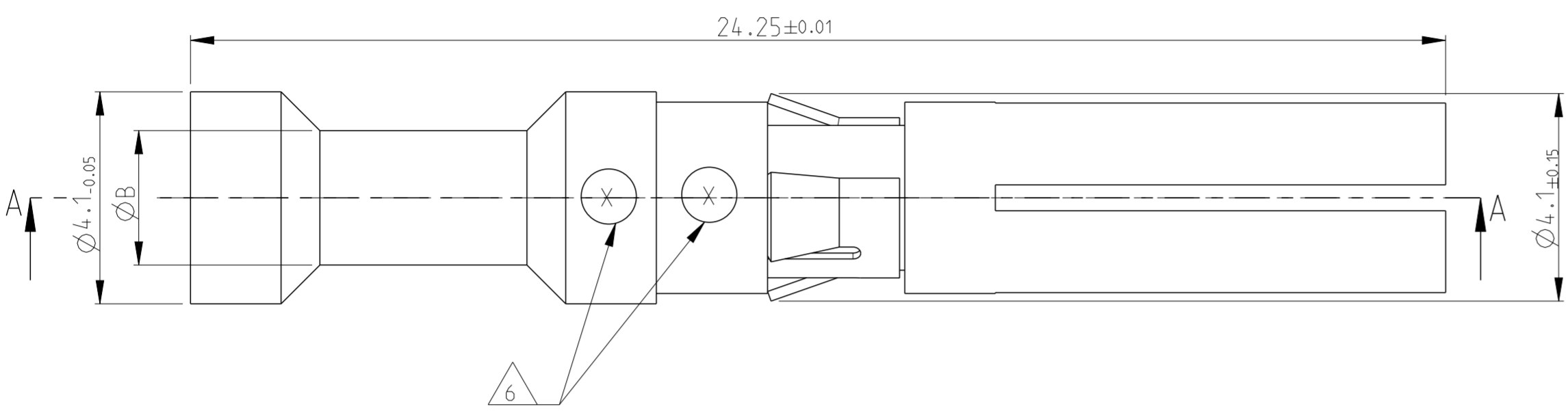


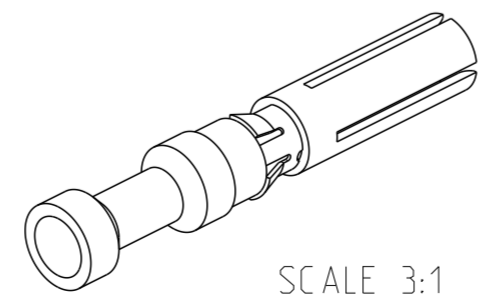
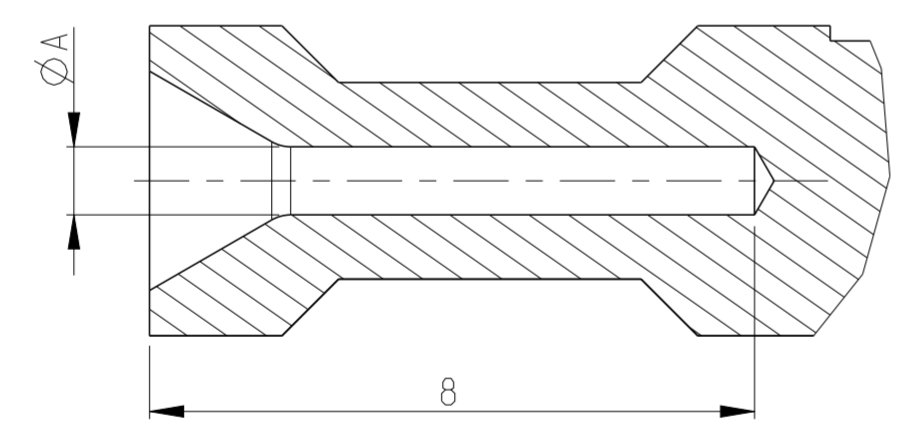
THIS DRAWING IS UNPUBLISHED. RELEASED FOR PUBLICATION  
 © COPYRIGHT - ALL RIGHTS RESERVED.

LOC		DIST		REVISIONS			
P	LTR	DESCRIPTION	DATE	DWN	APVD		
G2		REVISED PER ECO-11-005150	31MAR2011	RK	HMR		
G3		ECR-16-016696	31AUG2017	GR	MKO		



- NOTES
- 1 MATERIAL SEE TABLE
  - 2 SURFACE SEE TABLE
  - 3 ASSEMBLY WEIGHT SEE TABLE
  - 4 PACKAGING: 50 PIECES IN POLYBAG
  - 5 PACKAGING: 500 PIECES IN POLYBAG & CARTON
  - 6 CROSS-SECTION MARKING
  - 7 NO VENTILATION HOLE REQUIRED AT CROSS SECTION >4.0mm<sup>2</sup>
  - 8 SUITABLE PIN CONTACT: PN 1105300
  - 9 SUITABLE INSERTS: SERIES HVT
  - 10 SUITABLE CRIMP TOOL: PN 1-1105851-8
  - 11 SUITABLE INSERTION TOOL: PN 0-1102855-6
  - 12 SUITABLE EXTRACTION TOOL: PN 0-1102855-3
  - 13 STANDARDS: DIN EN 61984, DIN EN 60664-1

SECTION A-A



OBSOLETE												ASSEMBLY WEIGHT IN (Kg) 3				ITEM NO		
1	0.00142	0.00144	0.00148	0.00145	0.00149	0.00150	0.00144	0.00148	0.00145	0.00149	0.00150	Cuzn39Pb3 F50			1			
												Socket Contact 4.0 mm <sup>2</sup>				2.85	3.9	6
		1										Socket Contact 2.5 mm <sup>2</sup>			2.2	3.2	5	
			1									Socket Contact 1.5 mm <sup>2</sup>			1.8	3.0	4	
				1								Socket Contact 0.75-1.0 mm <sup>2</sup>			1.45	2.6	3	
					1							Socket Contact 0.5 mm <sup>2</sup>			1.1	2.6	2	
						1						Socket Contact 0.13-0.4 mm <sup>2</sup>			0.9	2.6	1	
							1					Socket Contact 14 AWG			2.0	3.2	8	
								1				Socket Contact 12 AWG			2.55	3.6	9	
									1			Socket Contact 10 AWG			3.2	4.1	7	
										1		Socket Contact 4.0 mm <sup>2</sup>			2.85	3.9	6	
											1	Socket Contact 2.5 mm <sup>2</sup>			2.2	3.2	5	
											1	Socket Contact 1.5 mm <sup>2</sup>			1.8	3.0	4	
											1	Socket Contact 0.75-1.0 mm <sup>2</sup>			1.45	2.6	3	
											1	Socket Contact 0.5 mm <sup>2</sup>			1.1	2.6	2	
											1	Socket Contact 0.13-0.4 mm <sup>2</sup>			0.9	2.6	1	

5-2	4-2	3-2	2-2	1-2	6-2	8-2	9-1	7-2	5-1	4-1	3-1	2-1	1-1	6-1	DESCRIPTION	MATERIAL 1	SURFACE 2	ØA	ØB	CROSS SECTION MARKING 6	ITEM NO
5-2	4-2	3-2	2-2	1-2	6-2	8-2	9-1	7-2	5-1	4-1	3-1	2-1	1-1	6-1							

THIS DRAWING IS A CONTROLLED DOCUMENT.

DWN: G. WROBLEWSKI 04 SEP. 2007  
 CHK: T. SCHNURPFELT 04 SEP. 2007  
 APVD: T. SCHNURPFELT 04 SEP. 2007

STE TE Connectivity

SOCKET CONTACT SERIES HVT

SIZE: A2 CAGE CODE: 100779 DRAWING NO: C-1105301 RESTRICTED TO: -

CUSTOMER DRAWING SCALE: 10:1 SHEET: 1 OF 1 REV: G3

## X-ON Electronics

Largest Supplier of Electrical and Electronic Components

*Click to view similar products for [Heavy Duty Power Connectors](#) category:*

*Click to view products by [TE Connectivity](#) manufacturer:*

Other Similar products are found below :

[647757-1](#) [6643411-1](#) [6646058-2](#) [6646137-1](#) [6646138-1](#) [6646479-1](#) [6646608-1](#) [6646786-1](#) [6646940-1](#) [6651091-1](#) [6651525-1](#) [6651529-1](#)  
[6651788-1](#) [696475-1](#) [702-32-01109](#) [703-25-02205](#) [73000005059](#) [73000005642](#) [73080255059](#) [73080965046](#) [765-15-0080A](#) [765-16-0080B](#)  
[765-18-0080D](#) [829992-1](#) [902-77-02113](#) [PS00/A0620/6300](#) [PS25/A0420/63](#) [129-1J](#) [1409400](#) [AN0024023](#) [E6374G1](#) [e6389g2](#) [157-43GW8](#)  
[MS3117-14AC](#) [1643543-1](#) [1650540-1](#) [1651811-2](#) [1766260-1](#) [1766282-1](#) [1766966-1](#) [1791340000](#) [NLDFT-3-BL-L-S120-M40A](#) [NLDFT-N-](#)  
[W-L-C240-M40B](#) [NLS-2-R-C240-M40B](#) [NLS-N-W-C240-M40B](#) [NPS-3-BL-T6](#) [1986615-1](#) [2-1589900-8](#) [2199314-1](#) [KA8102](#)