

THIS DRAWING IS UNPUBLISHED.

RELEASED FOR PUBLICATION

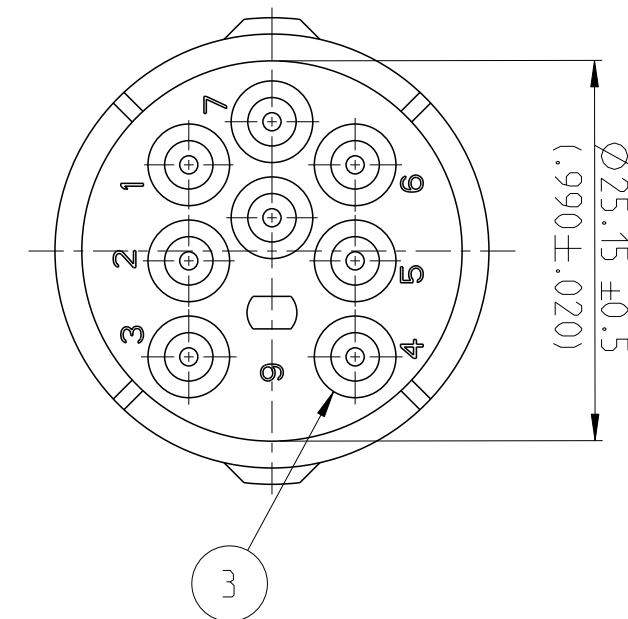
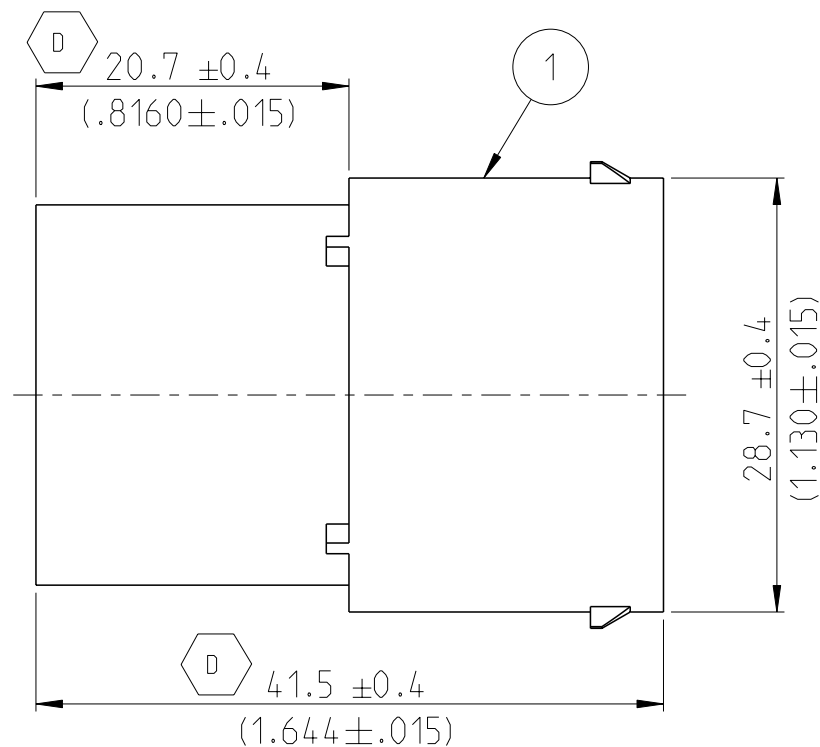
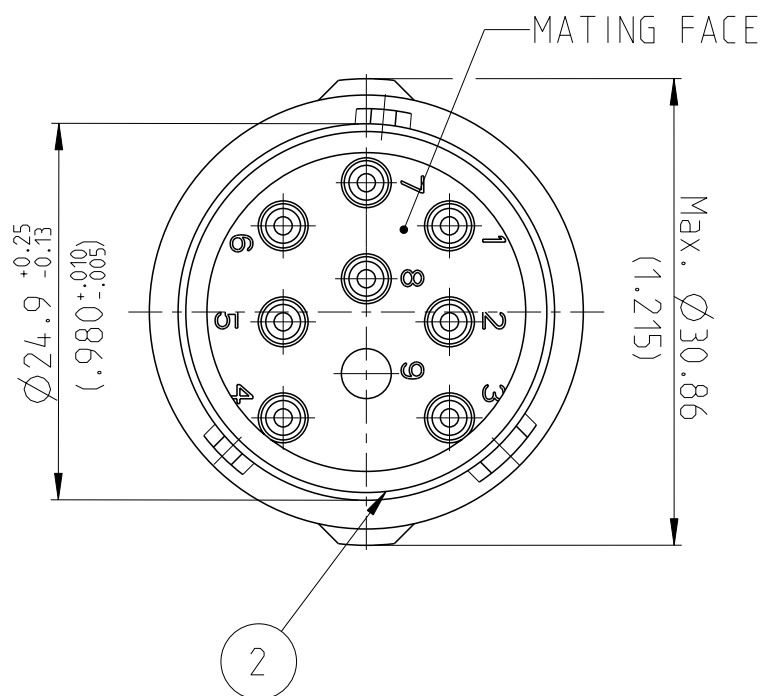
20

© COPYRIGHT 20 BY -

ALL RIGHTS RESERVED.

REVISIONS

P	LTR	DESCRIPTION	DATE	DWN	APVD
	D	Drawing Update, Dim. correction	14SEP2016	JJH	GB



1. WIRE INSULATION SEALING RANGE 1.78-2.9 (.070-.115 Inch.) DIA.
2. MATES WITH 208678-1.
3. TOTAL LENGTH OF MATED CONNECTORS IS LESS THAN 63.5mm (2.500 Inch.)
4. THIN MEMBRANE PERMISSIBLE ON SMALL DIAMETER OF WIRE SEALS.
5. ROTATION OF CAVITY CIRCUIT KEY FROM PART TO PART IS PERMISSIBLE.

-	8x	VMQ Silicone rubber	WIRE SEAL	BLACK/Schwarz	3
-	1x	VMQ Silicone rubber	PERIPHERAL SEAL	BLACK/Schwarz	2
-	1x	PA 66	HOUSING	BLACK/Schwarz	1
-	211068-1	MATERIAL Werkstoff	DESCRIPTION Beschreibung	COLOR/SURFACE Farbe/Oberflaeche	ITEM NO.
-	D	← REVISION OF EACH ASSY NO. (WHEN BLANK, USE DWG REVISION)			
QTY REGD PER ASSY					

TOLERANCES UNLESS OTHERWISE SPECIFIED ACC. TO DIN 16901-140<sup>©</sup> CENTRIC TO NOMINAL DIMENSION. EDITION 1982-11 SHALL APPLY.  
Freimass toleranzen nach DIN 16901-140<sup>©</sup>. Es gilt die Ausgabe 1982-11.

THIS DRAWING IS A CONTROLLED DOCUMENT.  
DIMENSIONING AND TOLERANCING PER GPS (ISO STANDARDS)

DIMENSIONS:	TOLERANCES UNLESS OTHERWISE SPECIFIED:
mm	
	0 PLC $\pm$
	1 PLC $\pm$
	2 PLC $\pm$
	3 PLC $\pm$
	4 PLC $\pm$
	ANGLES $\pm$
MATERIAL	FINISH
-	-
-	-

DWN	J. JAGADEESH	08SEP2016
CHK	G. Benczur	09SEP2016
APVD	G. Benczur	09SEP2016
PRODUCT SPEC	-	-
APPLICATION SPEC	-	-
WEIGHT	-	-

**TE** TE Connectivity

NAME: RECEPTACLE, 8 POSITION STD ECONOSEAL CONNECTOR ASSY

SIZE	CAGE CODE	DRAWING NO	RESTRICTED TO
A3	00779	C-211068	-

CUSTOMER DRAWING SCALE 2:1 SHEET 1 OF 1 REV D

## X-ON Electronics

Largest Supplier of Electrical and Electronic Components

*Click to view similar products for [Automotive Connectors](#) category:*

*Click to view products by [TE Connectivity](#) manufacturer:*

Other Similar products are found below :

[003-018-000](#) [600858](#) [60403001](#) [60993906-B](#) [60993913-B](#) [629515004020001](#) [M83723/71R1808N L/C](#) [M902-2131](#) [M902-2161](#) [M902-2344](#)  
[72.330.1035.1](#) [73.353.4028.0](#) [F118010](#) [F119300-B](#) [F132210](#) [F166900](#) [F180100](#) [F258300](#) [F258300-B](#) [F294300-B](#) [F339100](#) [F339700](#)  
[F358300-B](#) [F374110](#) [F407400](#) [F412210](#) [F444110](#) [F487000](#) [F495100](#) [F500900-B](#) [F509500B-B](#) [770444-1](#) [827153-1](#) [881735-1](#)  
[8N1515-32-24P](#) [9-1326729-8](#) [925467-1](#) [925474-1](#) [928905-1](#) [936398-2](#) [964562-4](#) [964731-2](#) [968782-1](#) [GT17SA-8DS-HU](#) [GT17VS-10DP-](#)  
[5.2CF](#) [98315-0001](#) [98315-0010](#) [98891-1012](#) [98895-2014](#) [98936-1039](#)