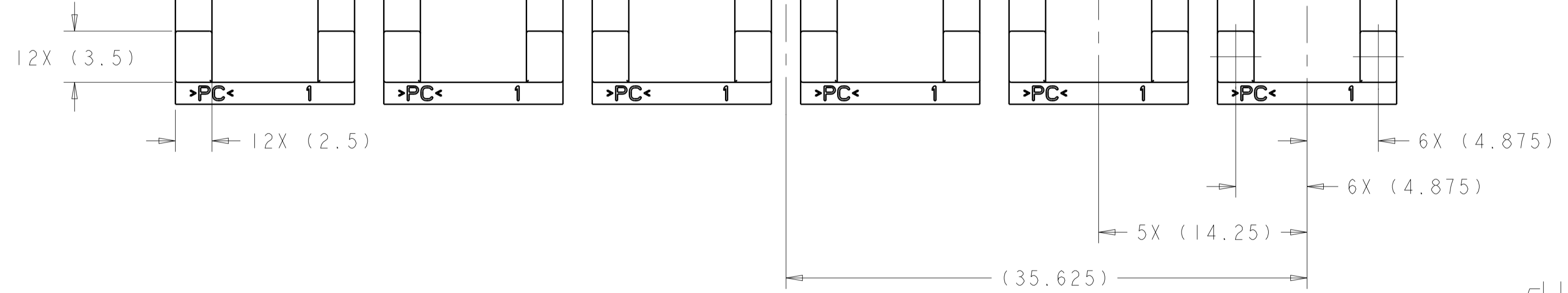
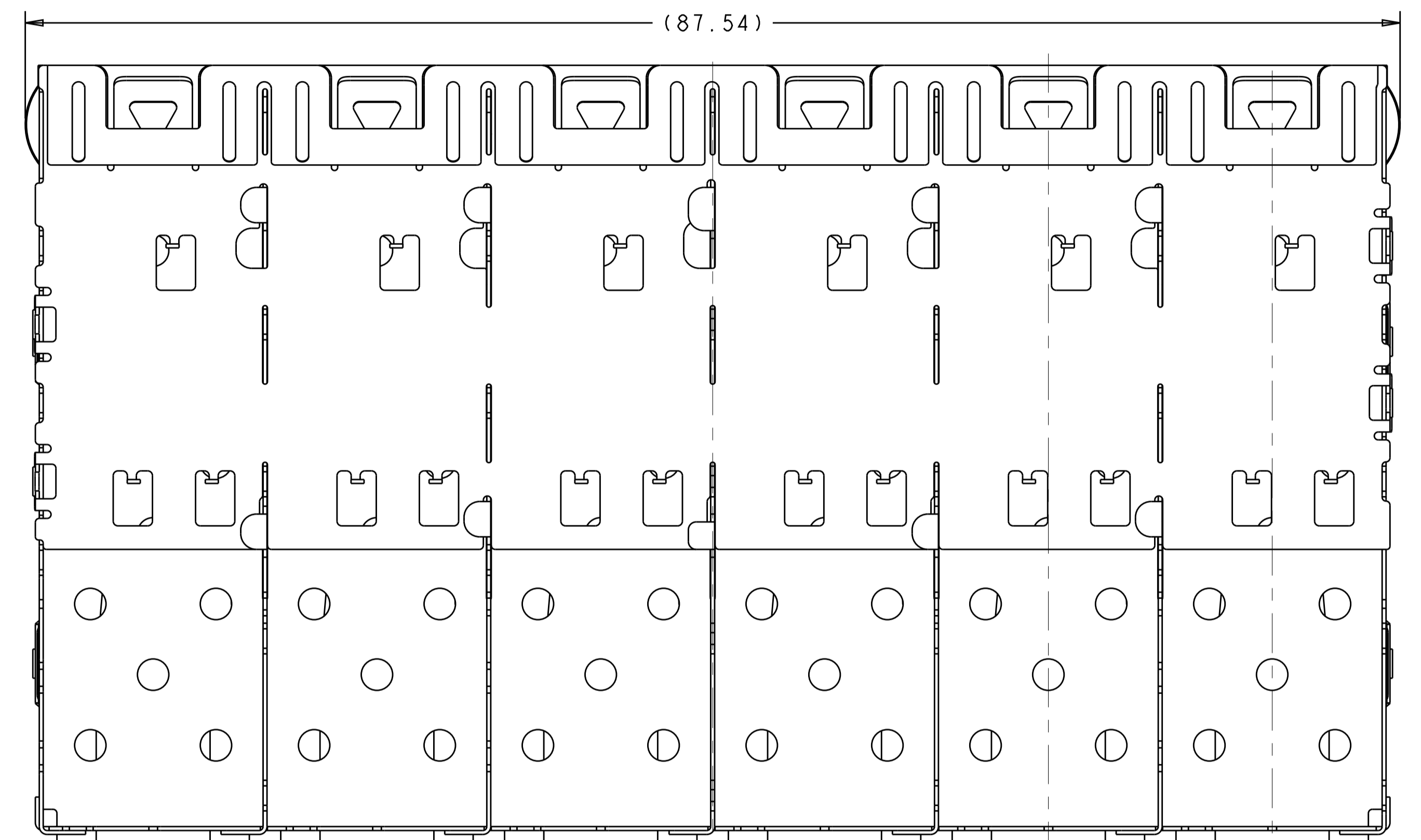
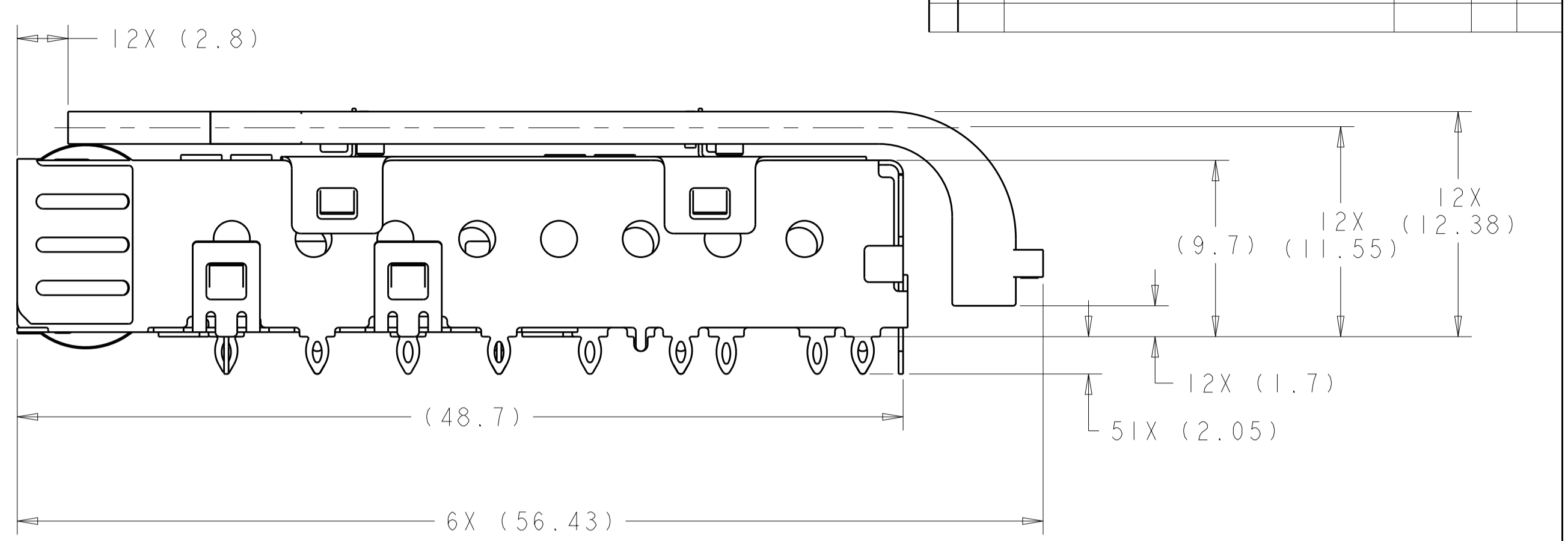
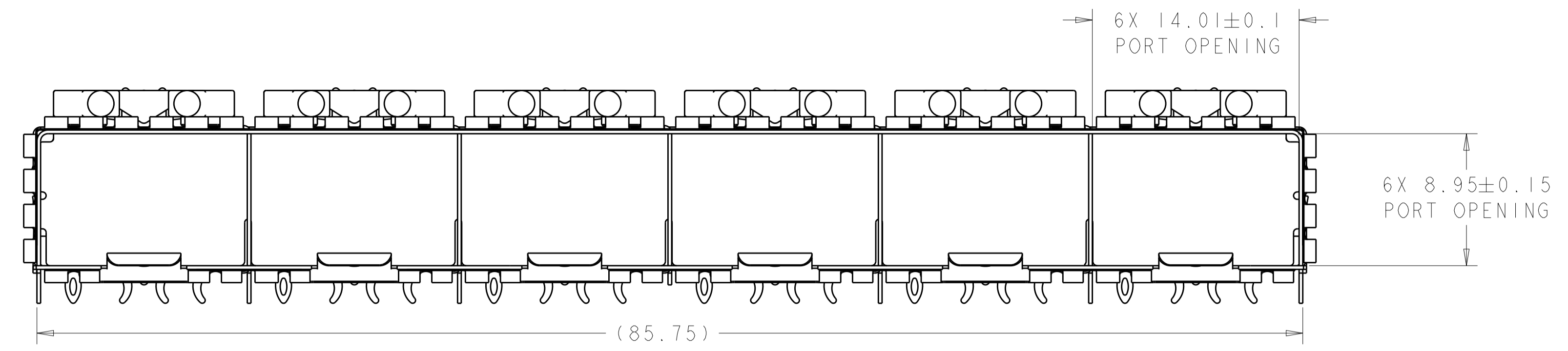
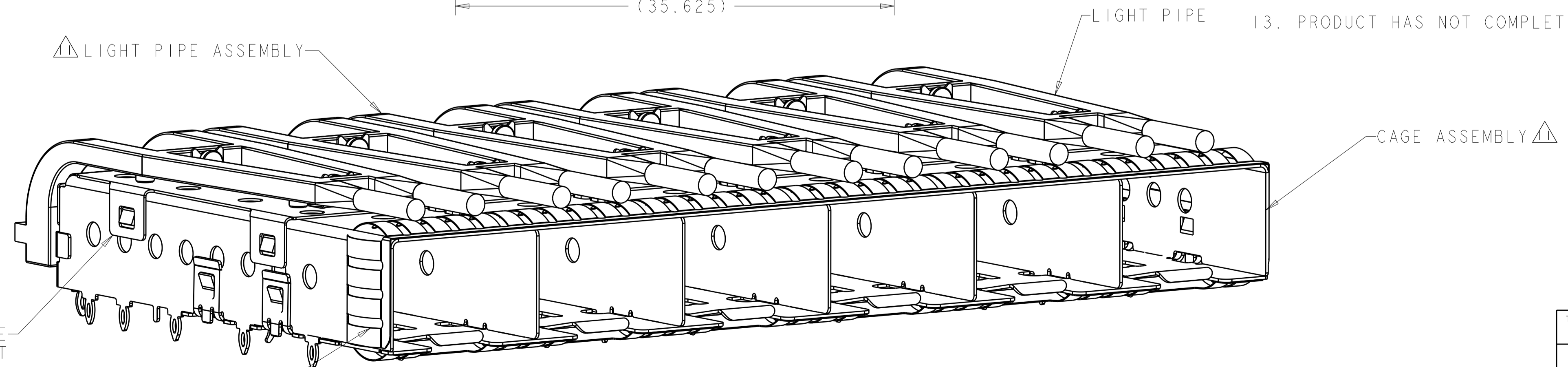


GP 00

REVISIONS				
REV	DATE	DESCRIPTION	BY	CHK
A	26FEB2016	RELEASED	JW	SH



- 1. MATERIAL:
CAGE ASSEMBLY: 0.25mm THICK NICKEL SILVER ALLOY.
LIGHT PIPE CLIP: STAINLESS STEEL
LIGHT PIPE: POLYCARBONATE, CLEAR
- 2. FINISH:
SPRINGS: MINIMUM OF 0.8um TIN PLATE OVER A MINIMUM OF 0.8um NICKEL UNDERPLATE.
NON-PLATED EDGES PERMISSIBLE.
- 3. MATES WITH SFP MSA COMPLIANT TRANSCEIVERS.
- 4. PADS AND VIAS CHASSIS GROUND.
- 5. INTERPRETATION OF DATUM REFERENCE FRAME IN ACCORDANCE WITH SECT 4.4.1.1 OF ASME Y14.5M-1994.
- 6. MINIMUM PC BOARD THICKNESS:
SINGLE SIDED = 1.50
DOUBLE SIDED = 2.25
- 7. HOLE PATTERN REPEATS FOR EACH PORT. SPACING BETWEEN PORTS IS 14.25mm.
- 8. DATUM AND BASIC DIMENSION ESTABLISHED BY CUSTOMER.
- 9. REFERENCE APPLICATION SPEC. 114-13120, HOLE A, FOR RECOMMENDED DRILL HOLE DIAMETER AND PLATING THICKNESS.
- 10. REFERENCE APPLICATION SPEC. 114-13120, HOLE B, FOR RECOMMENDED DRILL HOLE DIAMETER AND PLATING THICKNESS.
- 11. LIGHT PIPE ASSEMBLY SHIPPED UNASSEMBLED TO CAGE ASSEMBLY. CAGE ASSEMBLY TO BE PRESSED INTO THE PCB PRIOR TO ATTACHING THE LIGHT PIPE ASSEMBLY TO THE CAGE.
- 12. CERTAIN MATING TRANSCEIVERS MAY REQUIRE ADDITIONAL PCB THICKNESS THAT WOULD NEED TO BE DETERMINED BY THE CUSTOMER.
- 13. PRODUCT HAS NOT COMPLETED VALIDATION/QUALIFICATION TESTING.



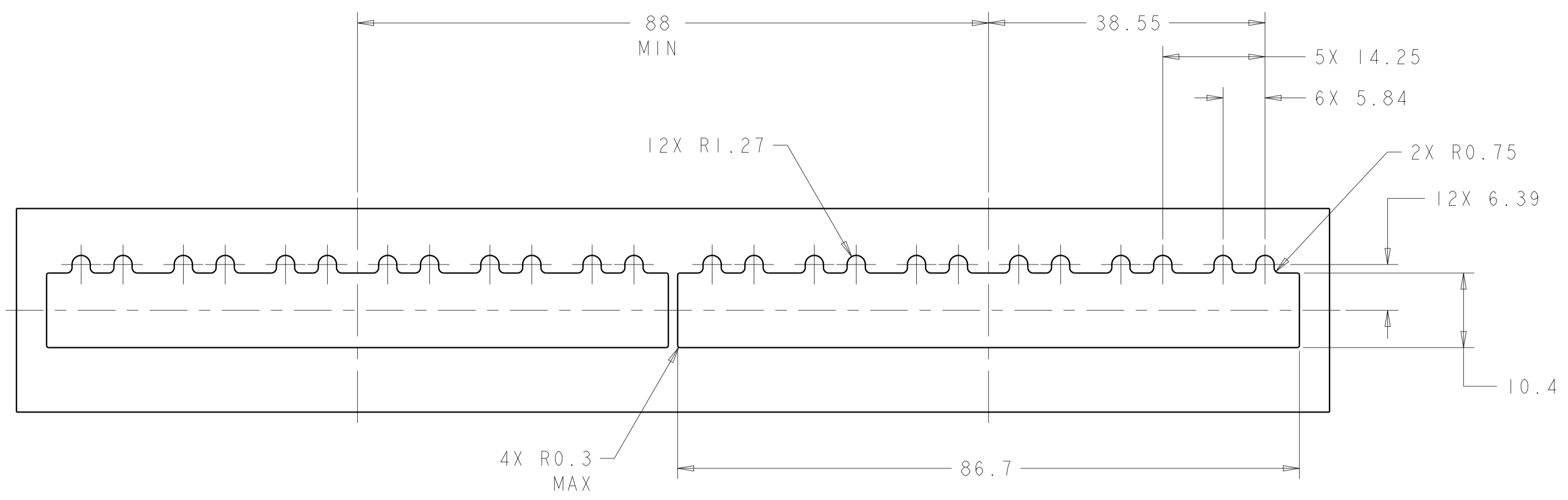
2110742-1
FINISHED ASSEMBLY
SCALE 4:1

2110742-1
PART NUMBER

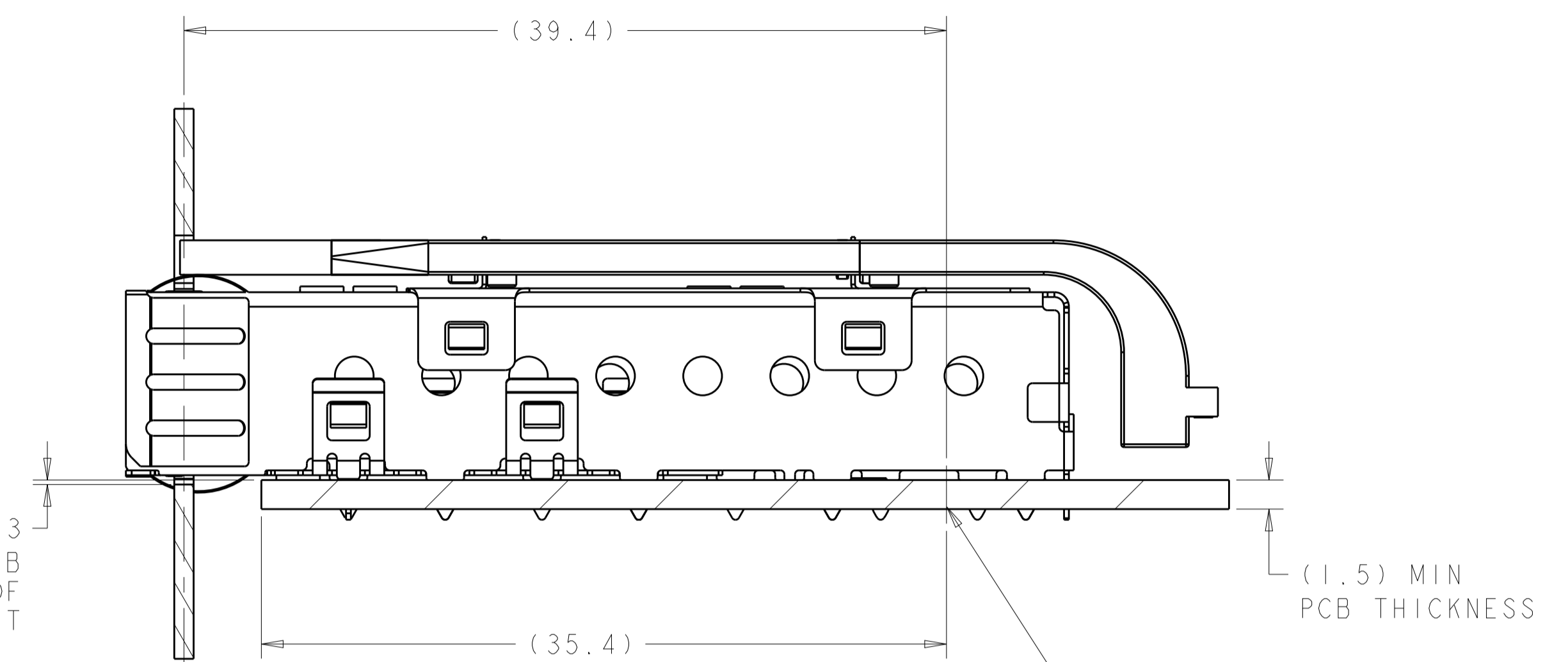
THIS DRAWING IS A CONTROLLED DOCUMENT.		DWN: C. ROHLER 03JUN2009	TE Connectivity	
DIMENSIONS: mm		CHK: M. SCHMITT 03JUN2009	NAME: SFP+ 1X6 CAGE ASSEMBLY PRESS FIT, EXTERNAL EMI SPRINGS WITH LOW PROFILE LIGHT PIPES	
TOLERANCES UNLESS OTHERWISE SPECIFIED:		APVD: B. WERTZ 03JUN2009	PRODUCT SPEC: 108-2364	
0 PLC ±0.1		APPLICATION SPEC: 114-13120		
1 PLC ±0.1		SIZE: A1		
2 PLC ±0.1		CAGE CODE: C=2110742		
3 PLC ±0.1		DRAWING NO: 2110742-1		
4 PLC ±0.1		RESTRICTED TO: Customer Drawing		
ANGLES ±0.1		SCALE: 2:1		
FINISH: ±1°		SHEET: 1 of 4		
MATERIAL: △		REV: A		

GP 00

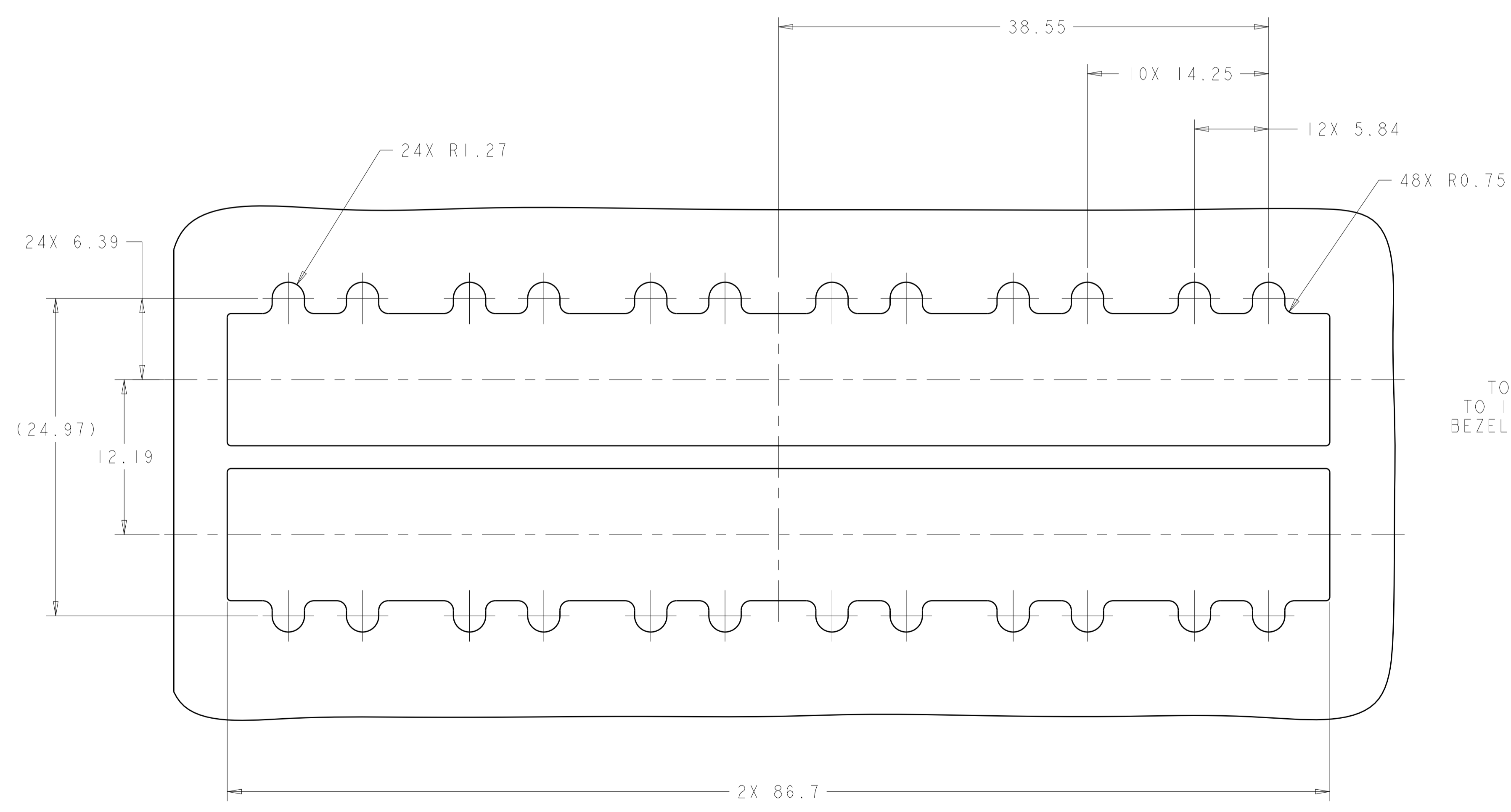
REVISIONS				
REV	DATE	DESCRIPTION	BY	APP'D
-	-	SEE SHEET 1	-	-



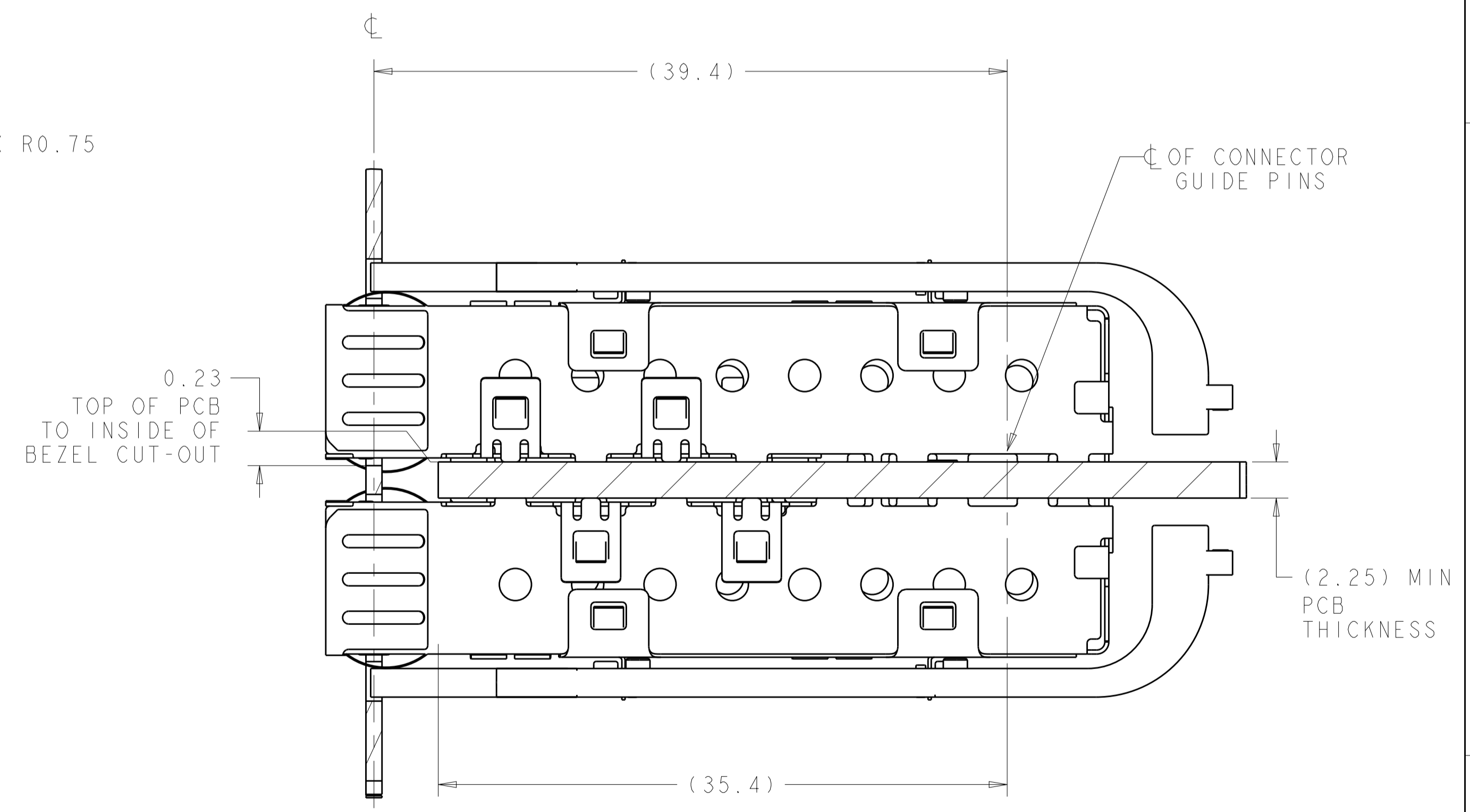
RECOMMENDED BEZEL CUT-OUT
SINGLE SIDED APPLICATIONS
SCALE 2:1



2110742-1
MOUNTED ON PC BOARD
SHOWN THRU RECOMMENDED BEZEL



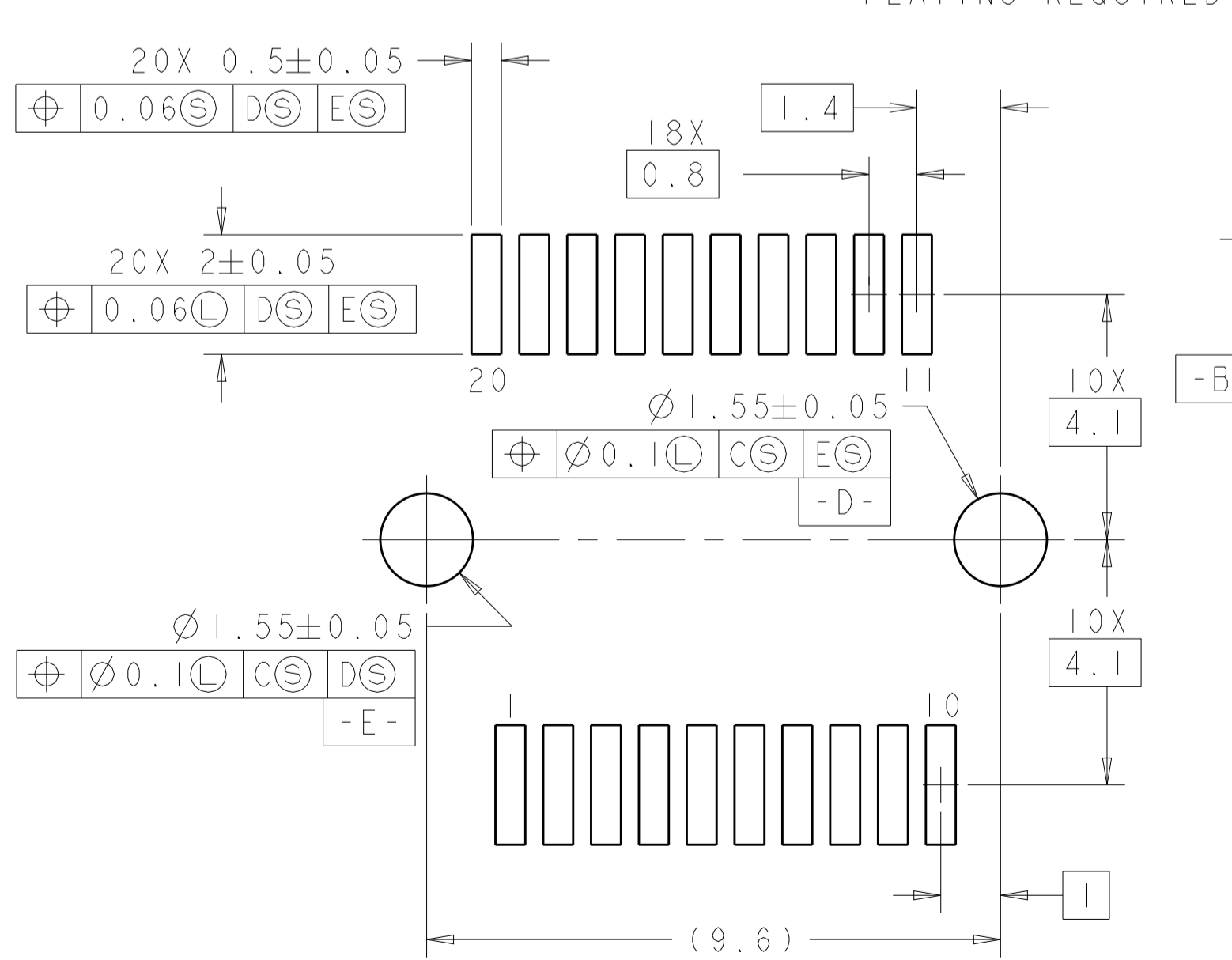
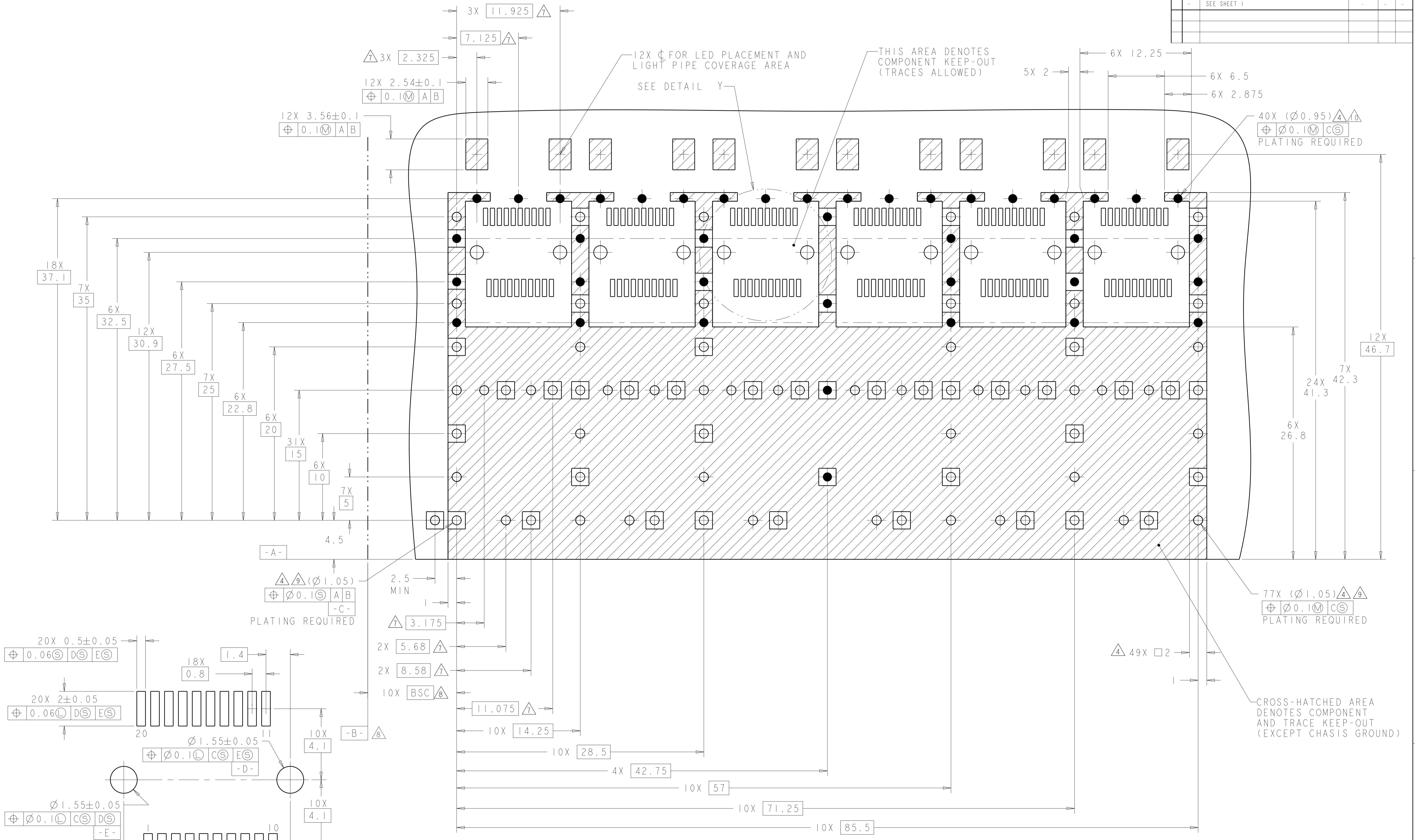
RECOMMENDED BEZEL CUT-OUT
BELLY TO BELLY APPLICATIONS



2110742-1
MOUNTED BELLY TO BELLY ON PC BOARD
SHOWN THRU RECOMMENDED BEZEL

THIS DRAWING IS A CONTROLLED DOCUMENT.		DWN C. ROHLER 03JUN2009 CHK M. SCHMITT 03JUN2009 APVD B. WERTZ 03JUN2009	STE TE Connectivity	
DIMENSIONS: mm 		TOLERANCES UNLESS OTHERWISE SPECIFIED: 0 PLC ±0.1 1 PLC ±0.1 2 PLC ±0.1 3 PLC ±0.1 4 PLC ±0.1 ANGLES ±1°		NAME: SFP+ 1X6 CAGE ASSEMBLY PRESS FIT, EXTERNAL EMI SPRINGS WITH LOW PROFILE LIGHT PIPES PRODUCT SPEC: 108-2364 APPLICATION SPEC: 114-13120 WEIGHT: - Customer Drawing
MATERIAL: -		SIZE: A1 CAGE CODE: 2110742 SCALE: 4:1 SHEET 2 OF 4 REV A		RESTRICTED TO

REVISIONS				
REV	DATE	BY	APP'D	DESCRIPTION
GP 00				SEE SHEET 1



DETAIL Y
RECOMMENDED PT CONNECTOR LAYOUT
12X INDIVIDUALLY
SCALE 10:1

RECOMMENDED PC BOARD CONFIGURATION
WITH KEEP-OUT AREAS
BELLY TO BELLY APPLICATIONS
SCALE 5:1

THIS DRAWING IS A CONTROLLED DOCUMENT.		DWN: C. ROHLER 03JUN2009	TE Connectivity
DIMENSIONS: mm		CHK: M. SCHMITT 03JUN2009	
TOLERANCES UNLESS OTHERWISE SPECIFIED:		APVD: B. WERTZ 03JUN2009	NAME: SFP+ 1X6 CAGE ASSEMBLY
0 PLC	±0.1	PRODUCT SPEC	108-2364
1 PLC	±0.1	APPLICATION SPEC	114-13120
2 PLC	±0.1	WEIGHT	114-13120
3 PLC	±0.1	Customer Drawing	SCALE 2:1 SHEET 4 OF 4 REV A
4 PLC	±0.1		
ANGLES	±1°		

X-ON Electronics

Largest Supplier of Electrical and Electronic Components

Click to view similar products for [I/O Connectors](#) category:

Click to view products by [TE Connectivity](#) manufacturer:

Other Similar products are found below :

[571763P](#) [72.250.1628.2](#) [72.250.2428.2](#) [74720-0505](#) [76.350.0729.0](#) [76871-1403](#) [FCN-244F080-G/1](#) [FCN-260A9920](#) [MP-5T180MUNNA-005](#)
[PCR-E36PM](#) [PCS-XE26MA+](#) [G38A71314B](#) [1571250010](#) [157-22500-3](#) [MS3471L14-19P L/C](#) [91-569786-35H](#) [172501-4002](#) [172501-6002](#)
[FCN-260C008-A/L0](#) [FCN-260C024-AL0](#) [FCN-261Z008](#) [2000314-1](#) [200331-1](#) [PCR-E36FC+](#) [PCS-E28FS+](#) [PCS-XE26SLFD+](#) [PCS-](#)
[XE26SLFDT+](#) [G730VID08BDC24](#) [U90B2054081210](#) [UE86K842720321](#) [38113800006](#) [DP3AR020WQ1R200](#) [Z4.102.0680.0](#) [500-1040](#)
[500-1052](#) [500-1054](#) [ZP-4008-66L](#) [0709821002](#) [10-565995-597N](#) [DX40-20P\(55\)](#) [5554841-1](#) [MS3474W18-8P-LC*](#) [U90B3054061110](#) [U65-](#)
[E04-4020](#) [ZPF000000000097891](#) [557-262M2-06C](#) [747360449](#) [10099439-003C-TRLF](#) [10137239-0021LF](#) [E9320-001-01](#)