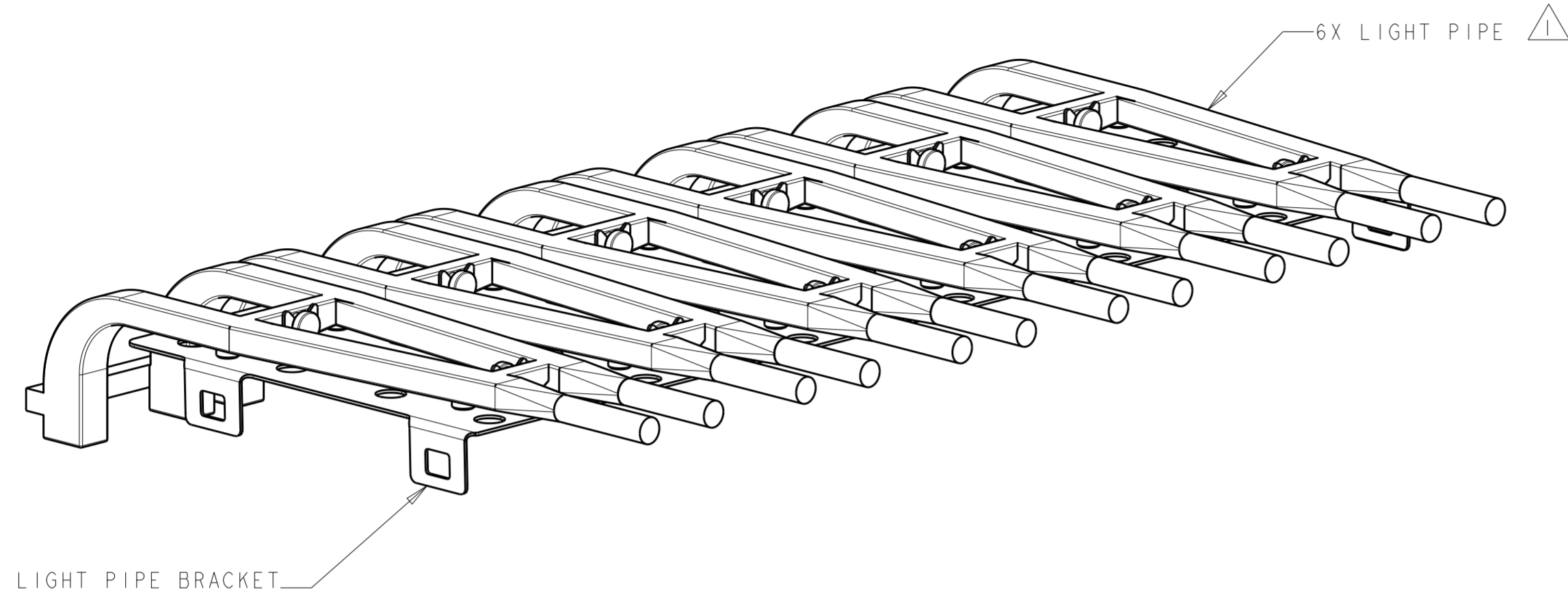
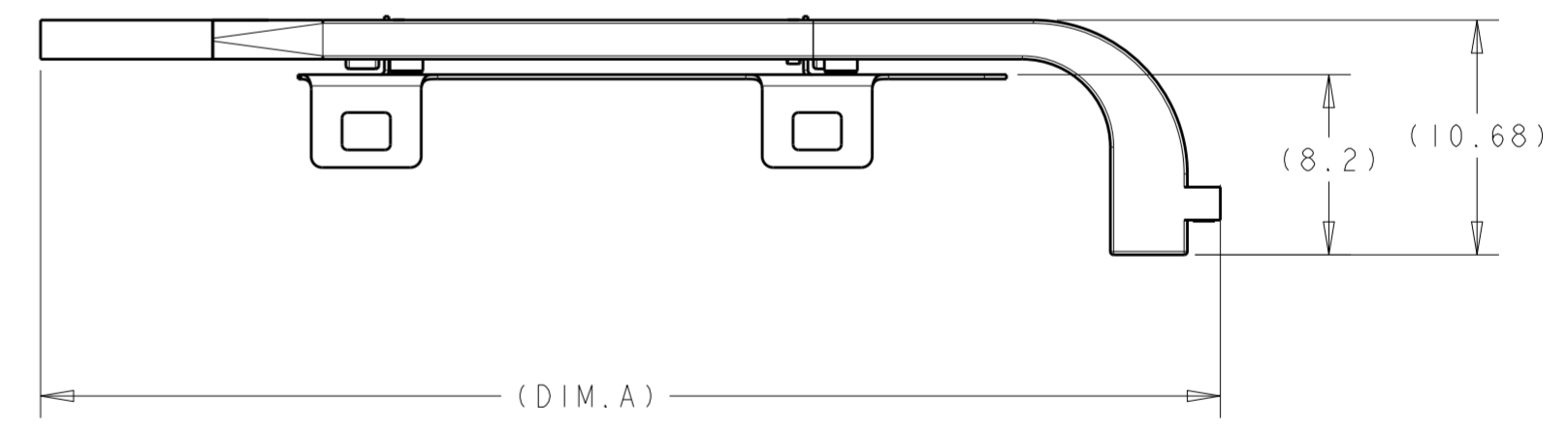
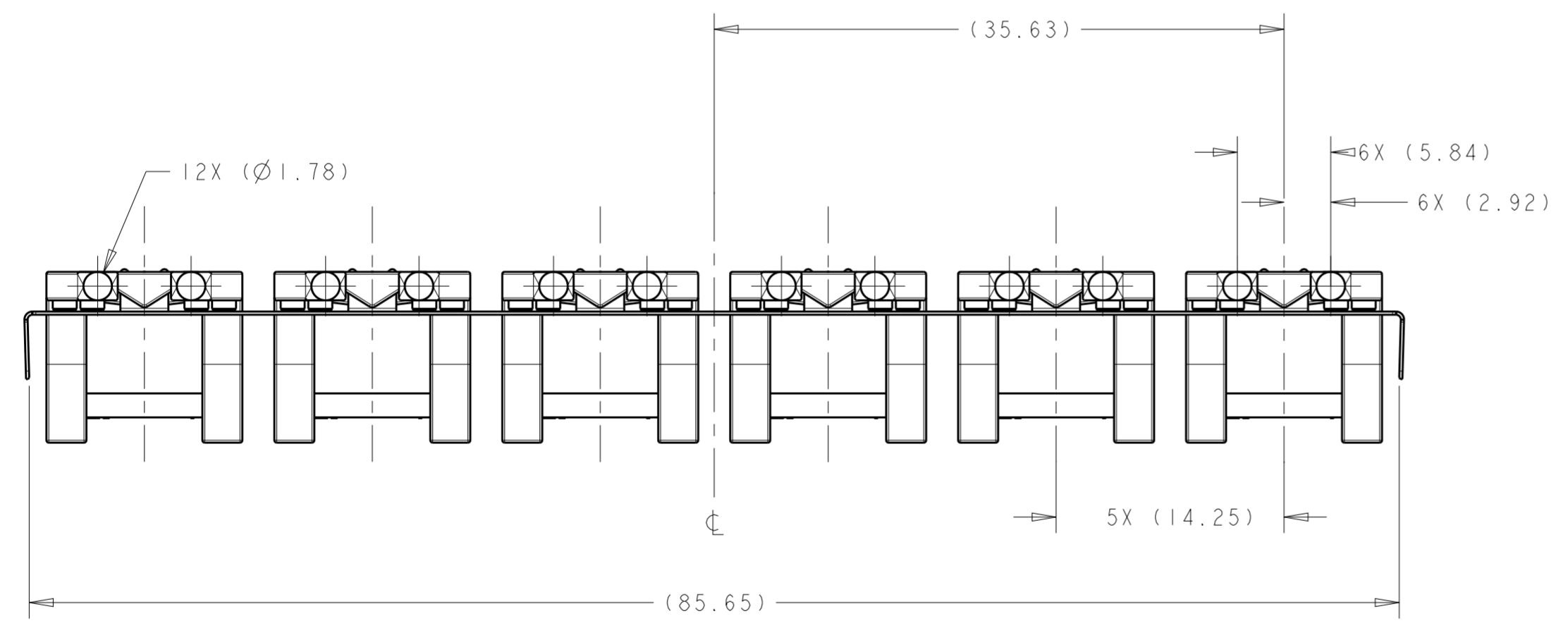


THIS DRAWING IS UNPUBLISHED. RELEASED FOR PUBLICATION 20
 © COPYRIGHT 20 BY - ALL RIGHTS RESERVED.

LOC	DIST	REVISIONS			
P	LTR	DESCRIPTION	DATE	DWN	APVD
GP	00	A	RELEASED	26FEB2016	JW SH



- 1 LIGHT PIPE: POLYCARBONATE, CLEAR UL 94V-2
- 2 LIGHT PIPE BRACKET: STAINLESS STEEL PER ASTM A 666



52.63	2110743-3
53.63	2110743-1
DIM. A	PART NUMBER

THIS DRAWING IS A CONTROLLED DOCUMENT.		DWN C. ROHLER 03JUN2009	STE TE Connectivity	
DIMENSIONS: mm		CHK M. SCHMITT 03JUN2009		
TOLERANCES UNLESS OTHERWISE SPECIFIED:		APVD R. WERTZ 03JUN2009	NAME 1X6 LOW PROFILE LIGHT PIPE ASSM SFP+	
0 PLC ±		PRODUCT SPEC 108-2364	SIZE A2	
1 PLC ±		APPLICATION SPEC	CAGE CODE 00779	DRAWING NO C-2110743
2 PLC ±		WEIGHT	RESTRICTED TO	
3 PLC ±			-	
4 PLC ±			-	
ANGLES ±			-	
FINISH			-	
MATERIAL 1 2 -		CUSTOMER DRAWING		SCALE 3:1 SHEET 1 OF 1 REV A

X-ON Electronics

Largest Supplier of Electrical and Electronic Components

Click to view similar products for [I/O Connectors](#) category:

Click to view products by [TE Connectivity](#) manufacturer:

Other Similar products are found below :

[571763P](#) [58098-0628](#) [72.250.1628.2](#) [72.250.2428.2](#) [74720-0505](#) [76.350.0729.0](#) [76871-1403](#) [FCN-244F080-G/1](#) [FCN-260A9920](#) [PCR-E36PM](#) [PCS-XE26MA+](#) [G38A71314B](#) [1571250010](#) [157-22500-3](#) [MS3471L14-19P L/C](#) [172501-4002](#) [172501-6002](#) [FCN-260C008-A/L0](#) [FCN-260C024-AL0](#) [FCN-261Z008](#) [2000314-1](#) [200331-1](#) [PCR-E36FC+](#) [PCS-E28FS+](#) [PCS-XE26SLFD+](#) [PCS-XE26SLFDT+](#) [G730VID08BDC24](#) [U90B2054081210](#) [38113800006](#) [DP3AR020WQ1R200](#) [Z4.102.0680.0](#) [500-1040](#) [500-1052](#) [500-1054](#) [ZP-4008-66L](#) [0709821002](#) [DX40-20P\(55\)](#) [5554841-1](#) [MS3474W18-8P-LC*](#) [U90B3054061110](#) [U65-E04-4020](#) [ZPF000000000097891](#) [747360449](#) [10099439-003C-TRLF](#) [10137239-0021LF](#) [E9320-001-01](#) [10137239-0011LF](#) [70289-001LF](#) [70.060.1028.0](#) [109029-ZZ](#)