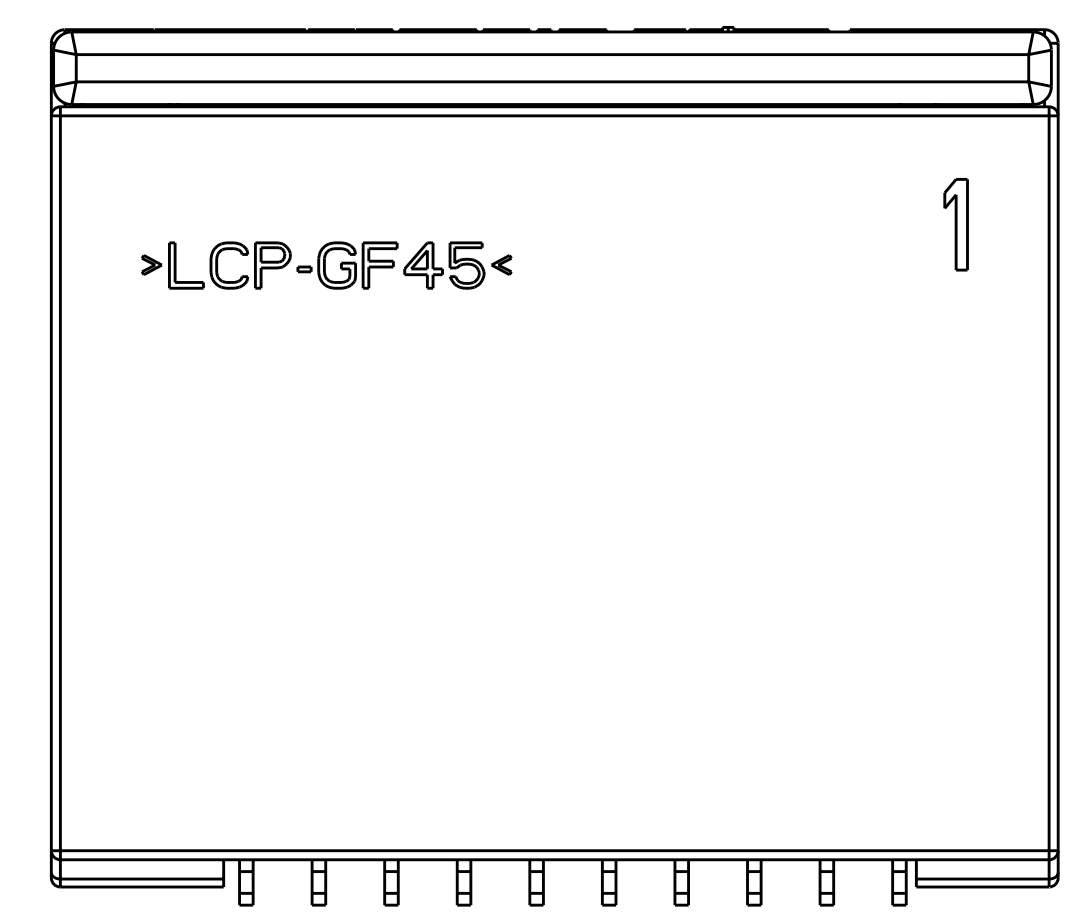
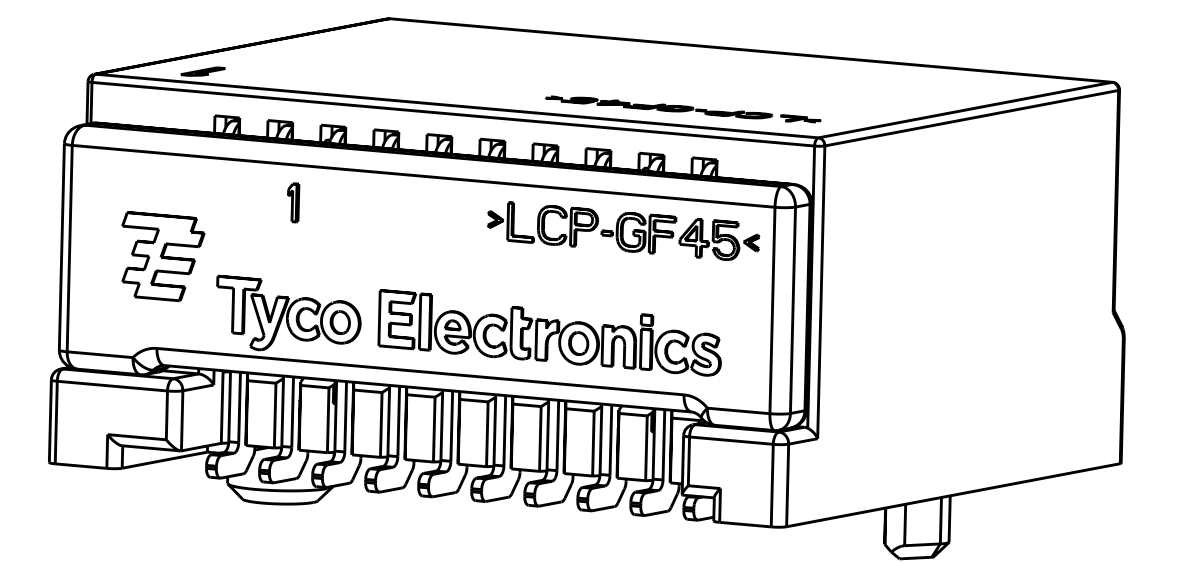
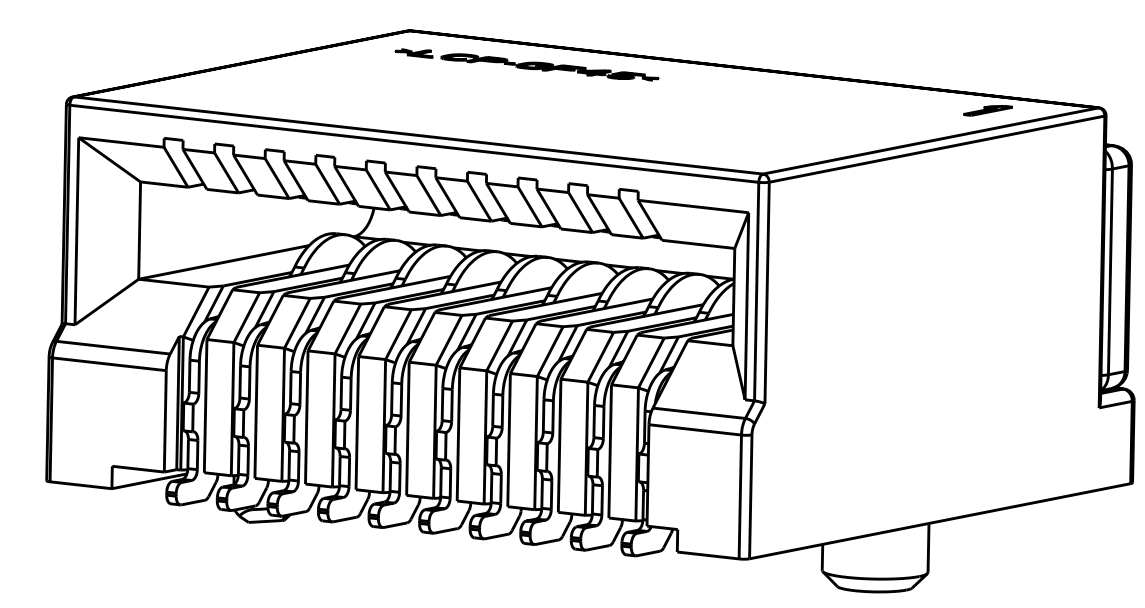
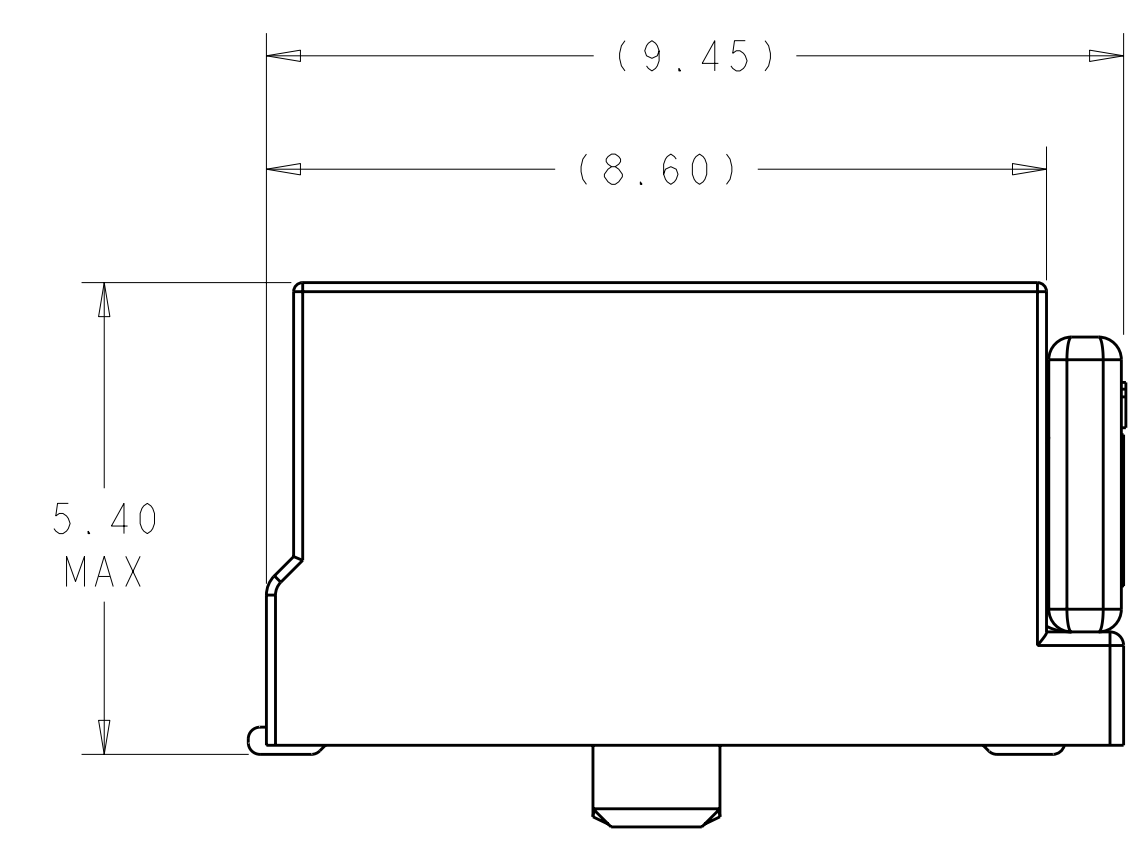
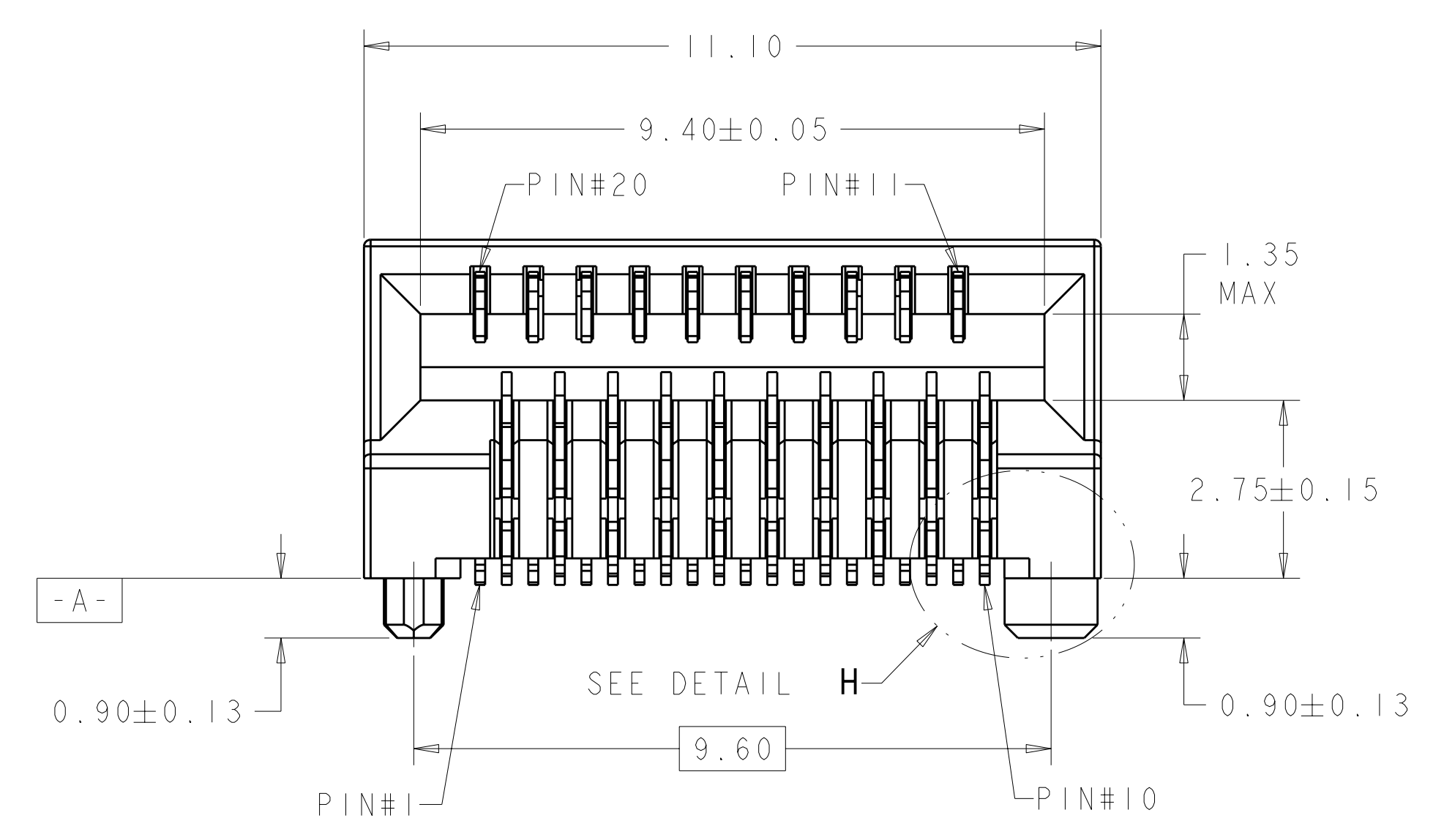


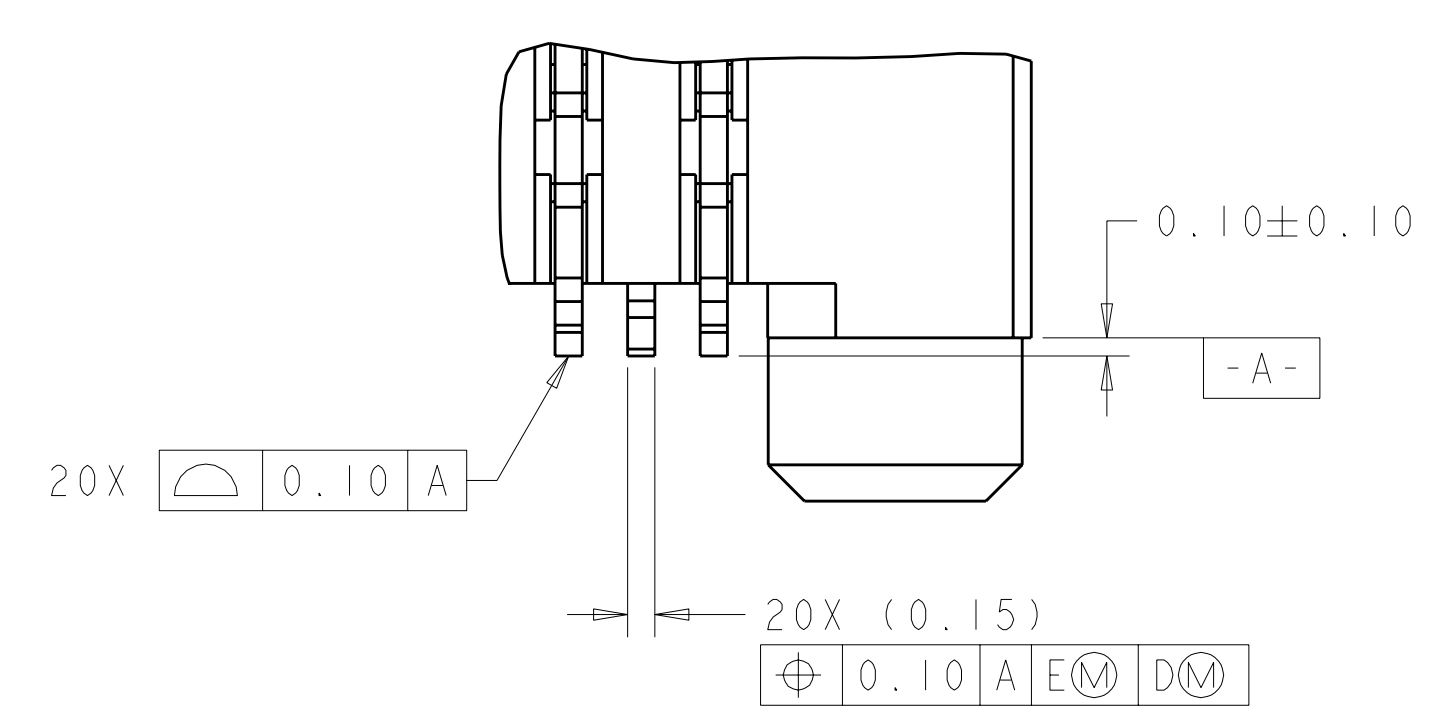
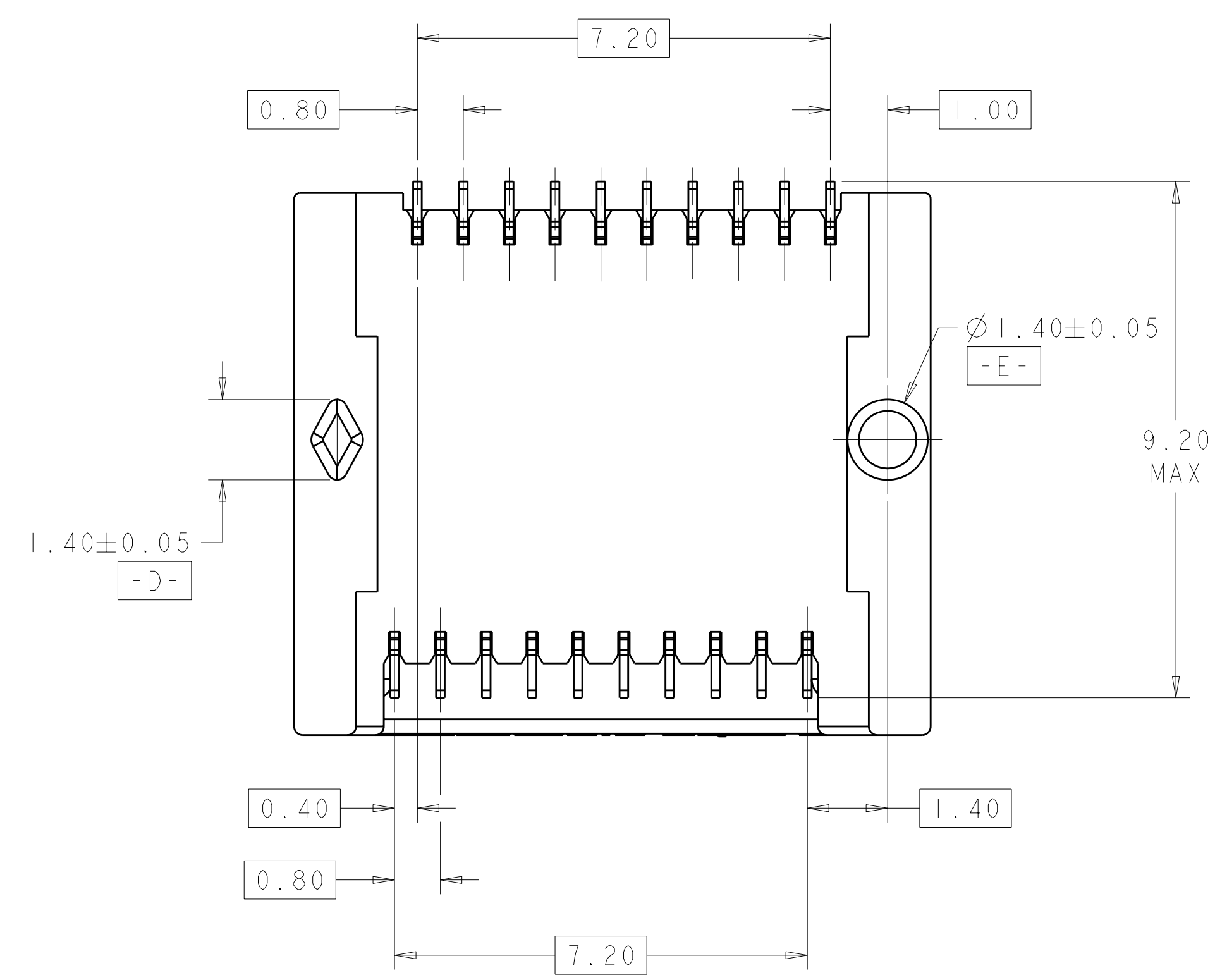
LOC	DIST	REVISIONS				
REV	LTG	DESCRIPTION	DATE	DWN	APVD	
GP	00	A	RELEASED PER ECO-12-001478	17FEB2012	BM	MS



- 1 MATERIAL:
HOUSING AND RETENTION PLUG: POLYESTER LCP, UL 94V-0, BLACK
CONTACTS: COPPER ALLOY.
- 2 FINISH:
CONTACT: CONFORMS TO TE PRODUCT SPEC 108-2424, BASED ON
EIA/ECA-364-1000 O1A. (CONTROLLED ENVIROMENT APPLICATIONS)
ON MATING END, GOLD FLASH OVER NICKEL ON SOLDER TAILS.
- 3 DATUMS AND BASIC DIMENSIONS ARE TO BE ESTABLISHED BY
CUSTOMER.



2110759-1
SCALE 10:1

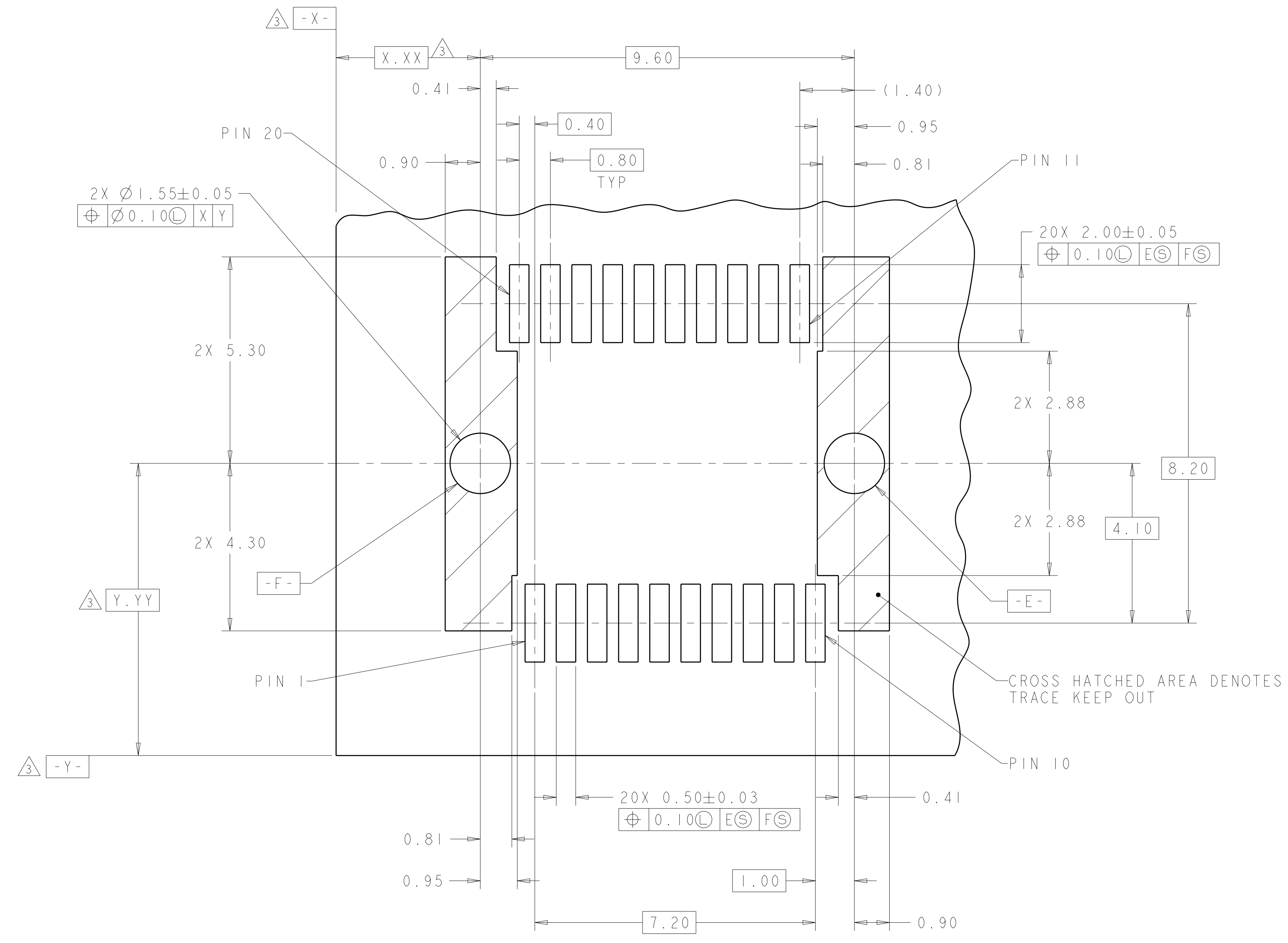


DETAIL H
SCALE 24:1

2110759-1
PART
NUMBER

<small>THIS DRAWING IS UNPUBLISHED. RELEASED FOR PUBLICATION. THIS IS SUBJECT TO CHANGE WITHOUT NOTICE. THE CUSTOMER IS RESPONSIBLE FOR VERIFYING THE DIMENSIONS AND TOLERANCES OF THE PARTS AND ASSEMBLIES. CONTACT THE TYCO ELECTRONICS CORPORATION FOR THE LATEST REVISION.</small>		DWN: B. MCMASTER 16 JUN 09 CHK: J. WESTMAN 16 JUN 09 APVD: J. WESTMAN 16 JUN 09	Tyco Electronics Harrisburg, PA 17105-3608
DIMENSIONS: mm 	TOLERANCES UNLESS OTHERWISE SPECIFIED: 9 PLC ± 8 PLC ±0.10 5 PLC ± 4 PLC ± ANGLES ±	NAME: PT CONNECTOR ASSEMBLY, 20 POS. RIGHT ANGLE, 0.8mm PITCH, 16G SFP PRODUCT SPEC: 108-2424 APPLICATION SPEC: 114-13120	SIZE: CAGE CODE DRAWING NO: A1100779C=2110759 RESTRICTED TO:
MATERIAL: 1	FINISH: 2	WEIGHT: -	CUSTOMER DRAWING
SCALE 12:1		SHEET 1 OF 3	REV A

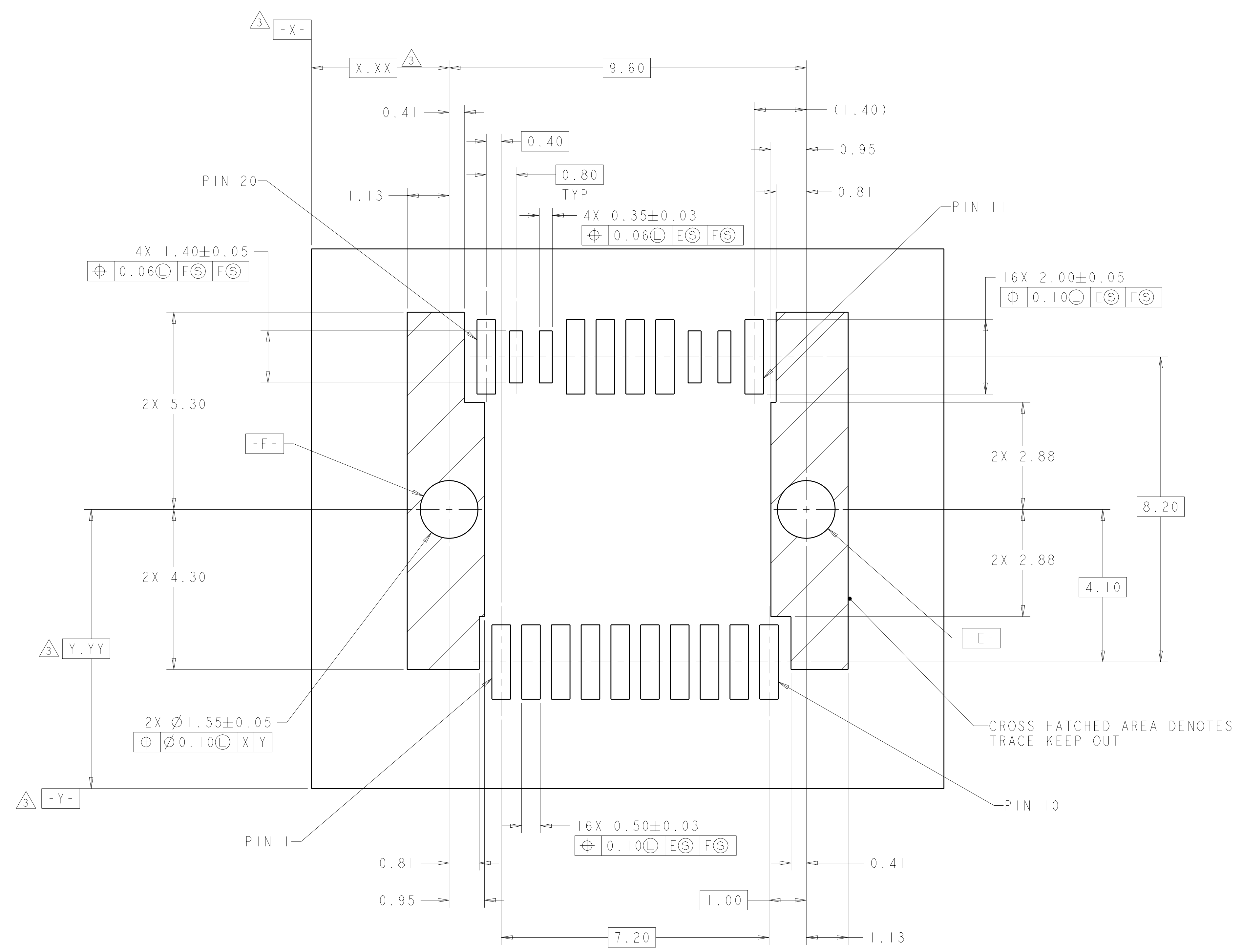
LOC	DIST	REVISIONS			
GP	00	REV	DATE	BY	APPD
		-	SEE SHEET 1	-	-



RECOMMENDED PCB LAYOUT DETAIL
 CONNECTOR MOUNTING SIDE
 SCALE 14:1

<small>THIS DRAWING IS UNPUBLISHED. RELEASED FOR PUBLICATION 20. THIS IS SUBJECT TO CHANGE WITHOUT NOTICE AND WITHOUT OBLIGATION. TOLERANCES UNLESS OTHERWISE SPECIFIED: DIMENSIONS IN MILLIMETERS UNLESS OTHERWISE SPECIFIED.</small>		DWN: B. MCMASTER CHK: J. WESTMAN APVD: J. WESTMAN	16 JUN 09 16 JUN 09 16 JUN 09	Tyco Electronics Harrisburg, PA 17105-3608
DIMENSIONS: mm 		TOLERANCES UNLESS OTHERWISE SPECIFIED: 0 PLC ± 1 PLC ± 2 PLC ±0.10 3 PLC ± 4 PLC ± ANGLES ±		NAME: PT CONNECTOR ASSEMBLY, 20 POS. RIGHT ANGLE, 0.8mm PITCH, 16G SFP PRODUCT SPEC: 108-2424 APPLICATION SPEC: 114-13120
MATERIAL: FINISH:		WEIGHT: 114-13120 CUSTOMER DRAWING	SIZE: A CAGE CODE: 100779 DRAWING NO: C=2110759	RESTRICTED TO:
AMP 4805 REV 31MAR2000		SCALE: 12:1	SHEET: 2 OF 3	REV: A

LOC	DIST	REVISIONS					
GP	00	P	LTB	DESCRIPTION	DATE	DWN	APVD
		-	-	SEE SHEET 1	-	-	-



OPTIONAL LAYOUT FOR IMPROVED
 SIGNAL INTEGRITY, MOUNTING SIDE
 SCALE 15:1

<small>THIS DRAWING IS UNPUBLISHED. RELEASED FOR PUBLICATION BY TYCO ELECTRONICS CORPORATION. ALL RIGHTS RESERVED.</small>		DWN: B. MCMASTER CHK: J. WESTMAN APVD: J. WESTMAN	16 JUN 09 16 JUN 09 16 JUN 09	Tyco Electronics Harrisburg, PA 17105-3608
DIMENSIONS: mm 		TOLERANCES UNLESS OTHERWISE SPECIFIED: 9 PLG ± 2 PLG ±0.10 5 PLG ± 4 PLG ± ANGLES ±		NAME: PT CONNECTOR ASSEMBLY, 20 POS. RIGHT ANGLE, 0.8mm PITCH, 16G SFP PRODUCT SPEC: 108-2424 APPLICATION SPEC: 114-13120 WEIGHT: - FINISH: -
MATERIAL: - FINISH: -		CUSTOMER DRAWING		SIZE: A 00779 C=2110759 SCALE: 12:1 SHEET: 3 OF 3 REV: A

X-ON Electronics

Largest Supplier of Electrical and Electronic Components

Click to view similar products for [I/O Connectors](#) category:

Click to view products by [TE Connectivity](#) manufacturer:

Other Similar products are found below :

[571763P](#) [58098-0628](#) [72.250.1628.2](#) [72.250.2428.2](#) [74720-0505](#) [76.350.0729.0](#) [76871-1403](#) [FCN-244F080-G/1](#) [FCN-260A9920](#) [PCR-E36PM](#) [PCS-XE26MA+](#) [G38A71314B](#) [1571250010](#) [157-22500-3](#) [MS3471L14-19P L/C](#) [172501-4002](#) [172501-6002](#) [FCN-260C008-A/L0](#) [FCN-260C024-AL0](#) [FCN-261Z008](#) [2000314-1](#) [200331-1](#) [PCR-E36FC+](#) [PCS-E28FS+](#) [PCS-XE26SLFD+](#) [PCS-XE26SLFDT+](#) [G730VID08BDC24](#) [U90B2054081210](#) [38113800006](#) [DP3AR020WQ1R200](#) [Z4.102.0680.0](#) [500-1040](#) [500-1052](#) [500-1054](#) [ZP-4008-66L](#) [0709821002](#) [DX40-20P\(55\)](#) [5554841-1](#) [MS3474W18-8P-LC*](#) [U90B3054061110](#) [U65-E04-4020](#) [ZPF000000000097891](#) [747360449](#) [10099439-003C-TRLF](#) [10137239-0021LF](#) [E9320-001-01](#) [10137239-0011LF](#) [70289-001LF](#) [70.060.1028.0](#) [109029-ZZ](#)