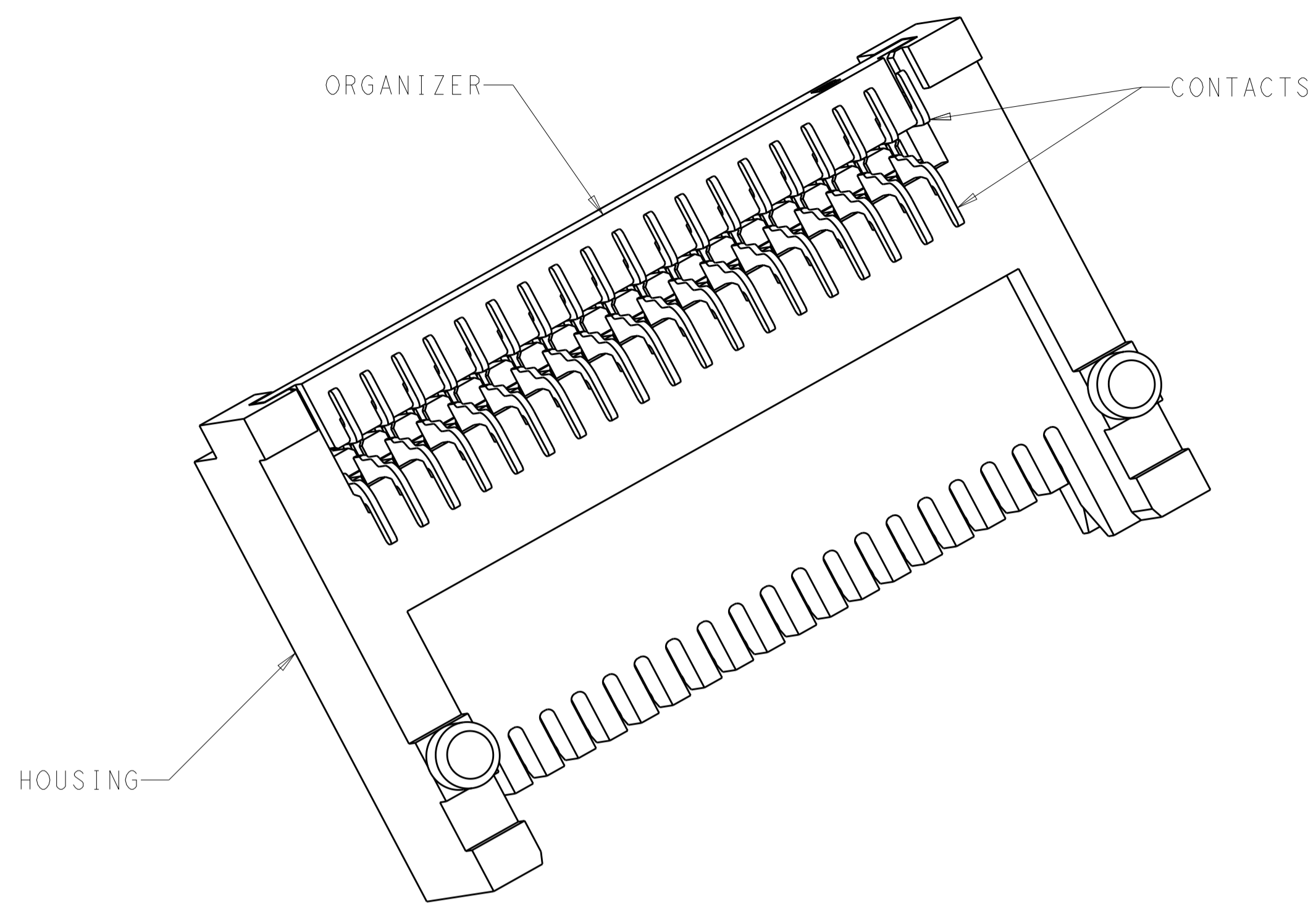
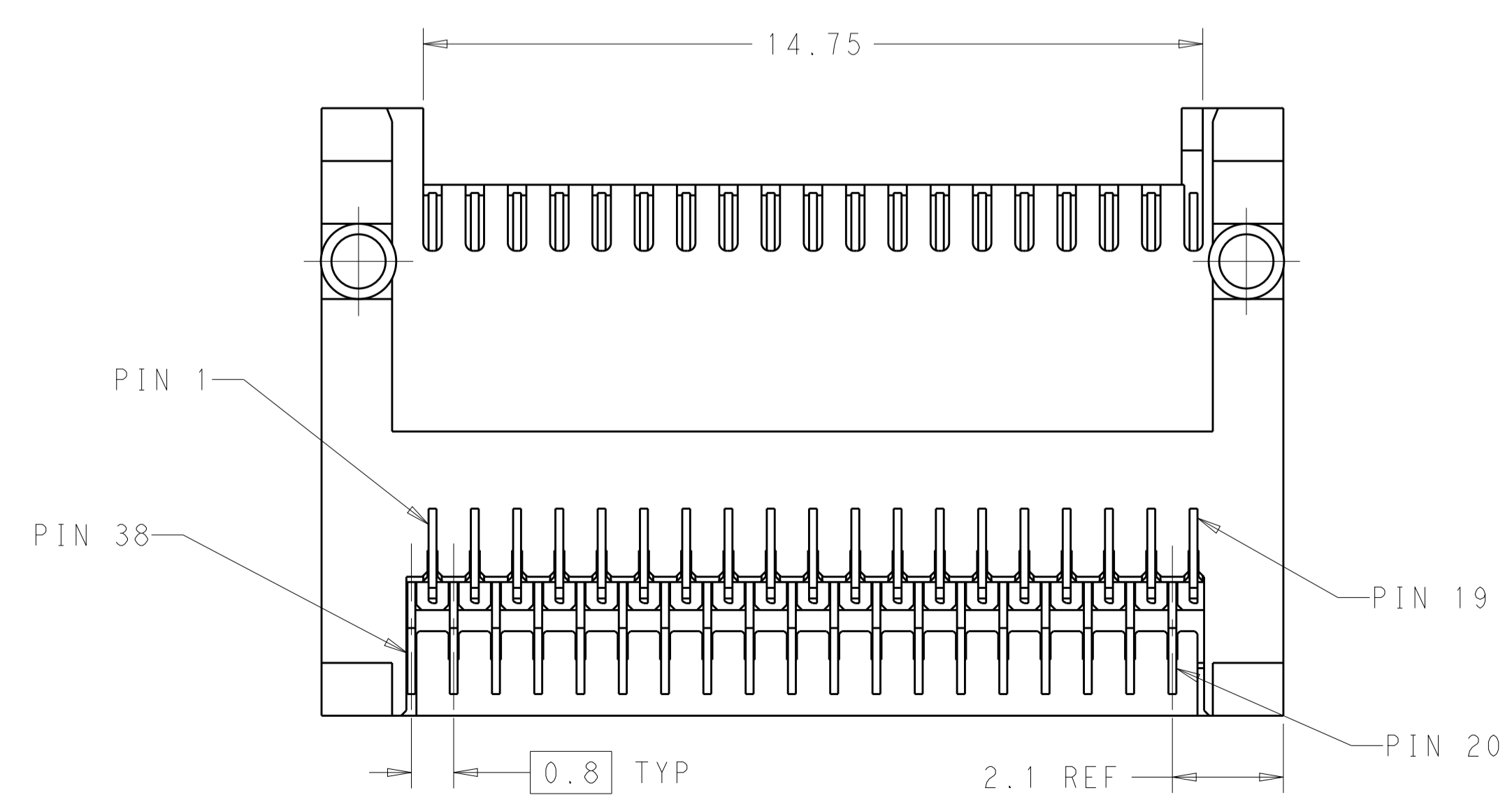
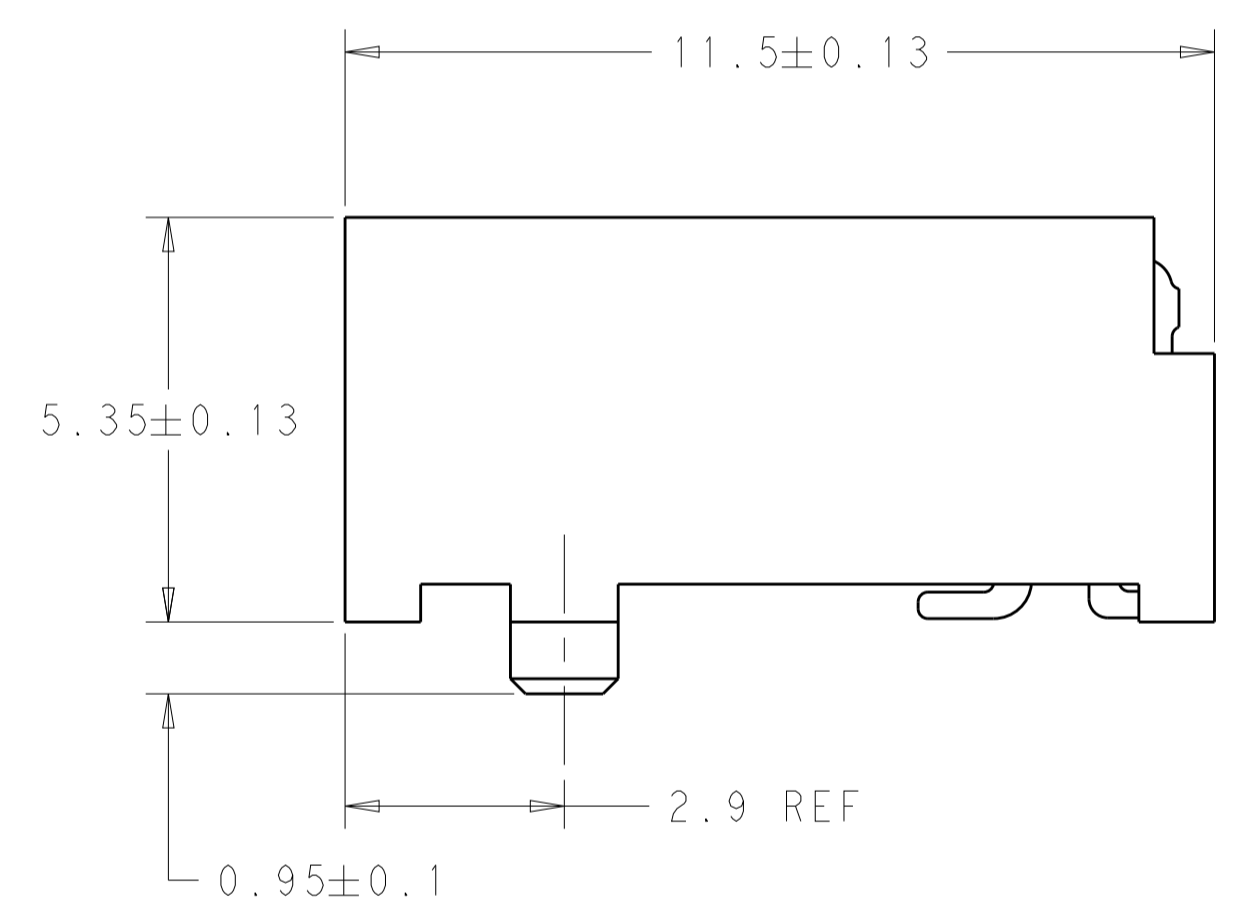
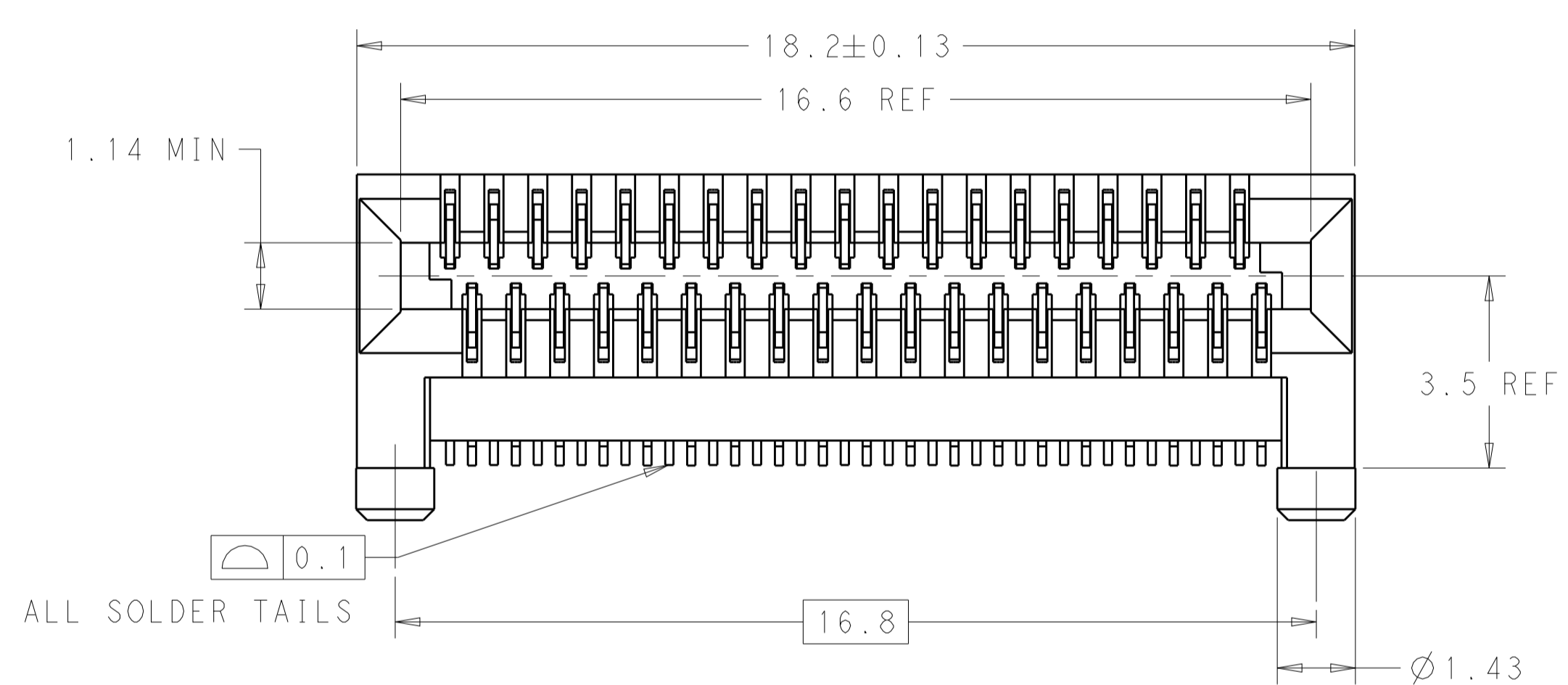


| LOC | DIST | REVISIONS | | | | | |
|-----|------|-----------|-----|----------------------------|-----------|-----|------|
| GP | 00 | P | LTN | DESCRIPTION | DATE | DWN | APVD |
| | | E | | PER ECR-12-015568 | 03SEP2012 | DZ | JY |
| | | F | | RELEASED PER ECO-13-010325 | 19JUN2013 | RG | AC |
| | | F1 | | REVISED PER ECR-15-013279 | 8SEP2015 | RG | SH |
| | | F2 | | REVISED PER ECO-16-013640 | 9SEP2016 | RG | SH |



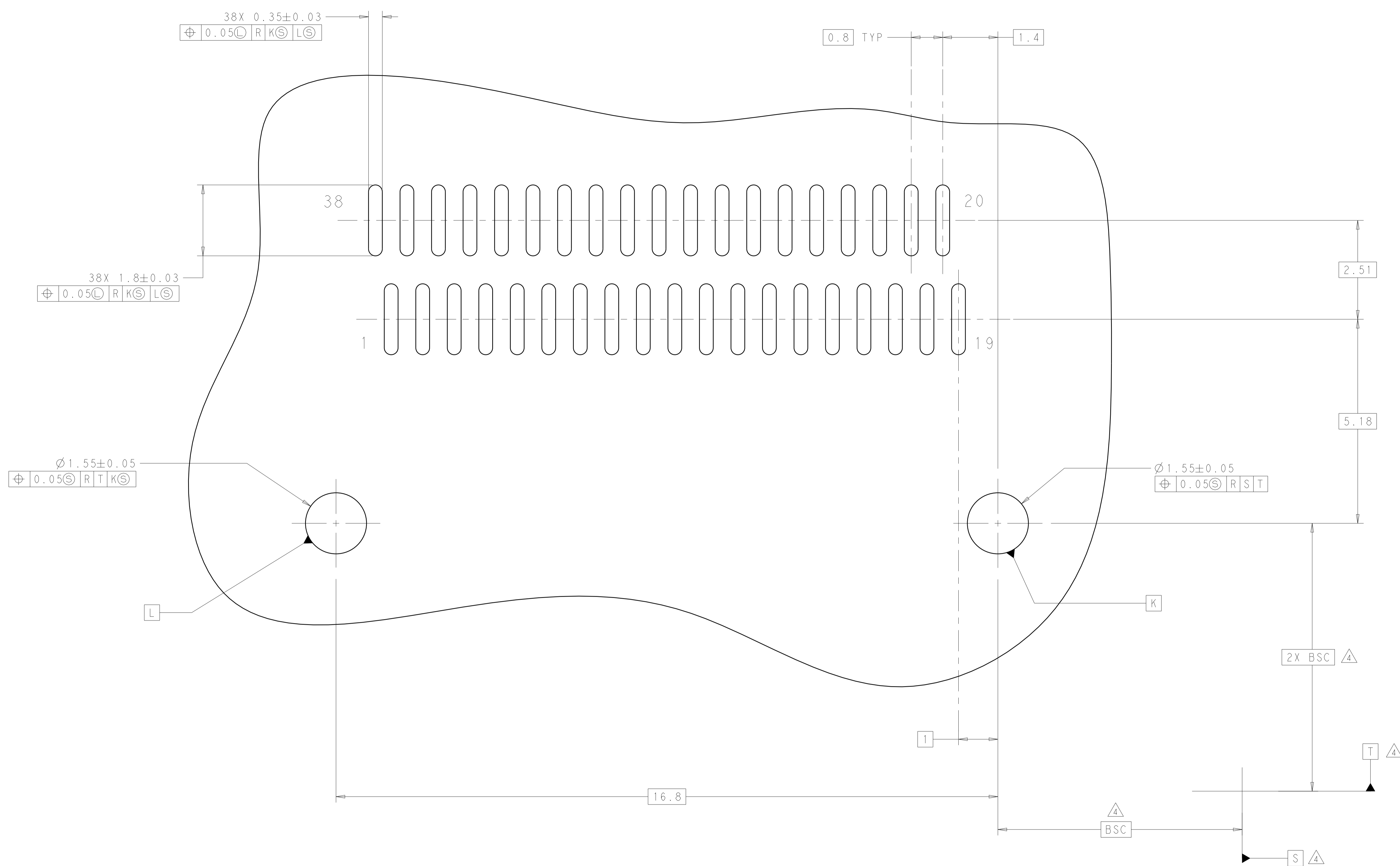
- ⚠ MATERIAL: HOUSING AND ORGANIZER: LCP, UL94V-0 RATED, BLACK.
 CONTACTS: COPPER ALLOY, 0.15 THICK.
- ⚠ FINISH: CONTACTS: CONFORMS TO THE REQUIREMENTS OF TYCO ELECTRONICS PRODUCT SPECIFICATION 108-2425, BASED ON EIA/ECA-364-1000.01A, (CONTROLLED ENVIRONMENT APPLICATIONS) ON MATING INTERFACE.
 TIN ON SOLDER TAILS
- 3. MATES WITH SFF-8436 COMPLIANT MODULES.
- ⚠ DATUM AND BASIC DIMENSION ESTABLISHED BY CUSTOMER.
- 5. DATUM R IS THE TOP SURFACE OF THE HOST PC BOARD.



| | | |
|--|--------|-------------|
| CARRIER TAPE WIDTH 32mm, PITCH 16mm | ⚠ | 2110819-4 |
| CARRIER TAPE WIDTH 32mm, PITCH 20mm | ⚠ | 2110819-1 |
| PACKAGE SPECIFICATION | FINISH | PART NUMBER |

| | | | | |
|--|-------------|----------------------------------|--|--|
| THIS DRAWING IS A CONTROLLED DOCUMENT. | | DWN C. VALENTIN 27OCT2009 | NAME OSFP+ ENHANCED EVERCLEAR, PT CONNECTOR, RIGHT ANGLE | |
| DIMENSIONS: mm | | CHK J. PETERSON 27OCT2009 | RESTRICTED TO | |
| TOLERANCES UNLESS OTHERWISE SPECIFIED: | | APVD J. PETERSON 27OCT2009 | SCALE 10:1 SHEET 1 OF 2 REV F2 | |
| 0 PLC ± | 1 PLC ±0.15 | PRODUCT SPEC 108-2425 | A100779C=2110819 | |
| 2 PLC ±0.10 | 3 PLC ± | APPLICATION SPEC 114-13221 | Customer Drawing | |
| 4 PLC ± | ANGLES ± | WEIGHT | | |
| MATERIAL | FINISH | Customer Drawing | | |

| LOC | DIST | REVISIONS | | | |
|-----|------|-------------|------|-----|------|
| P | LTN | DESCRIPTION | DATE | DMN | APVD |
| - | - | SEE SHEET 1 | - | - | - |
| | | | | | |
| | | | | | |



SCALE 20:1

| | | | |
|--|--|-----------------------------------|--|
| THIS DRAWING IS A CONTROLLED DOCUMENT. | | DMN C. VALENTIN 2/OCT/2009 | TE Connectivity |
| DIMENSIONS: | | CHK J. PETERSON 2/OCT/2009 | |
| mm | TOLERANCES UNLESS OTHERWISE SPECIFIED: | APVD J. PETERSON 2/OCT/2009 | NAME QSPF+ ENHANCED EVERCLEAR, PT CONNECTOR, RIGHT ANGLE |
| 0 PLC ±0.1 | 1 PLC ±0.1 | PRODUCT SPEC | SIZE 108-2425 |
| 2 PLC ±0.1 | 3 PLC ±0.1 | APPLICATION SPEC | RESTRICTED TO |
| 4 PLC ±0.1 | ANGLES ±0.1 | 114-13221 | SCALE 10:1 |
| MATERIAL | FINISH | WEIGHT | SHEET 2 OF 2 |
| - | - | - | REV F2 |
| Customer Drawing | | A100779C=2110819 | SCALE 10:1 |

X-ON Electronics

Largest Supplier of Electrical and Electronic Components

Click to view similar products for [I/O Connectors](#) category:

Click to view products by [TE Connectivity](#) manufacturer:

Other Similar products are found below :

[571763P](#) [58098-0628](#) [72.250.1628.2](#) [72.250.2428.2](#) [74720-0505](#) [76.350.0729.0](#) [76871-1403](#) [FCN-244F080-G/1](#) [FCN-260A9920](#) [PCR-E36PM](#) [PCS-XE26MA+](#) [G38A71314B](#) [1571250010](#) [157-22500-3](#) [MS3471L14-19P L/C](#) [172501-4002](#) [172501-6002](#) [FCN-260C008-A/L0](#) [FCN-260C024-AL0](#) [FCN-261Z008](#) [2000314-1](#) [200331-1](#) [PCR-E36FC+](#) [PCS-E28FS+](#) [PCS-XE26SLFD+](#) [PCS-XE26SLFDT+](#) [G730VID08BDC24](#) [U90B2054081210](#) [38113800006](#) [DP3AR020WQ1R200](#) [Z4.102.0680.0](#) [500-1040](#) [500-1052](#) [500-1054](#) [ZP-4008-66L](#) [0709821002](#) [DX40-20P\(55\)](#) [5554841-1](#) [MS3474W18-8P-LC*](#) [U90B3054061110](#) [U65-E04-4020](#) [ZPF000000000097891](#) [747360449](#) [10099439-003C-TRLF](#) [10137239-0021LF](#) [E9320-001-01](#) [10137239-0011LF](#) [70289-001LF](#) [70.060.1028.0](#) [109029-ZZ](#)