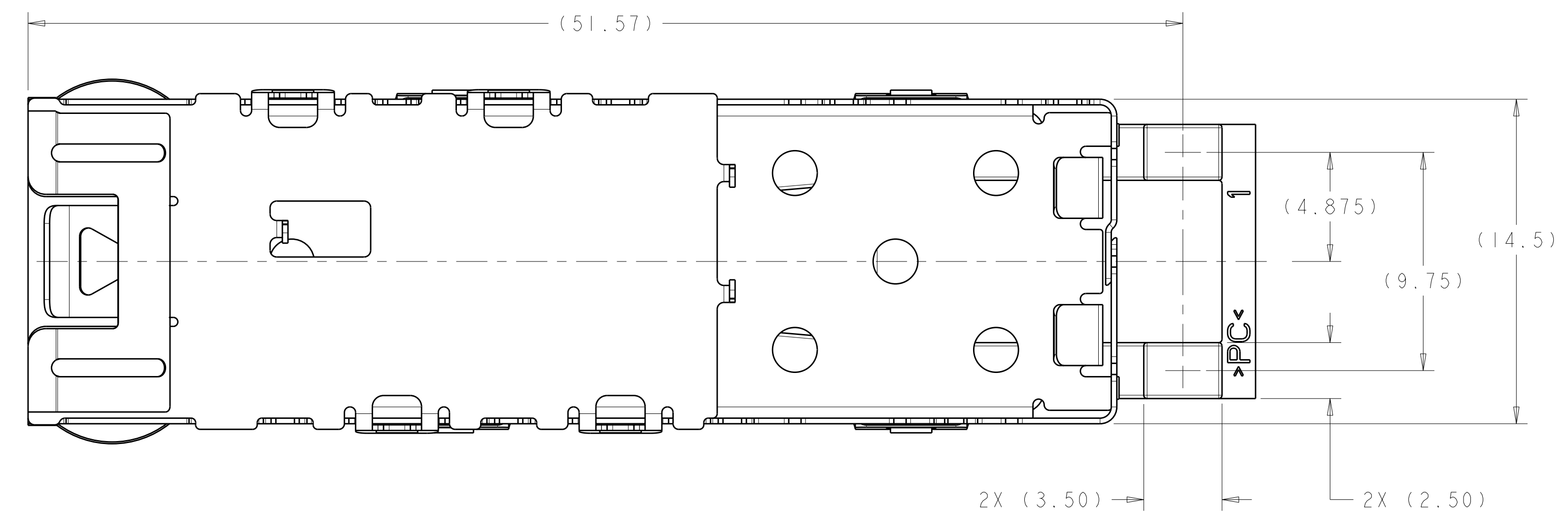
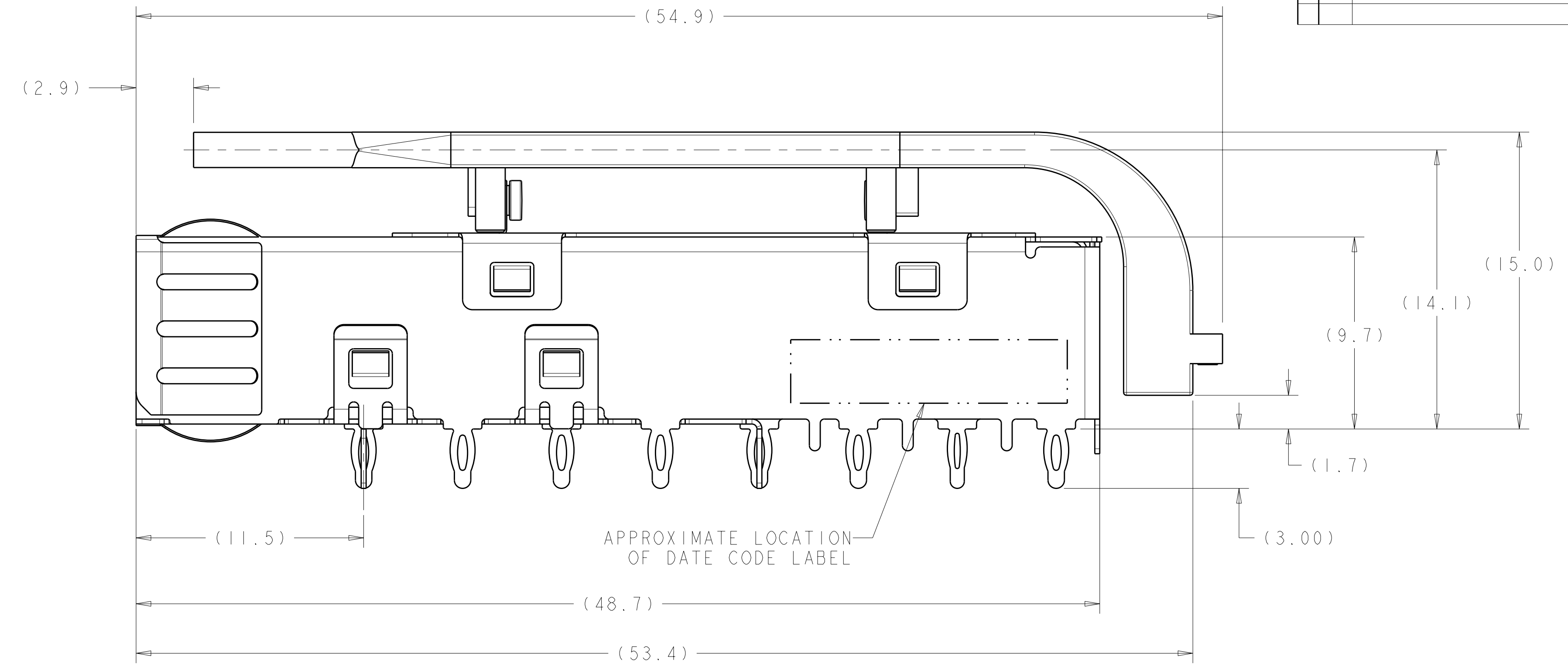
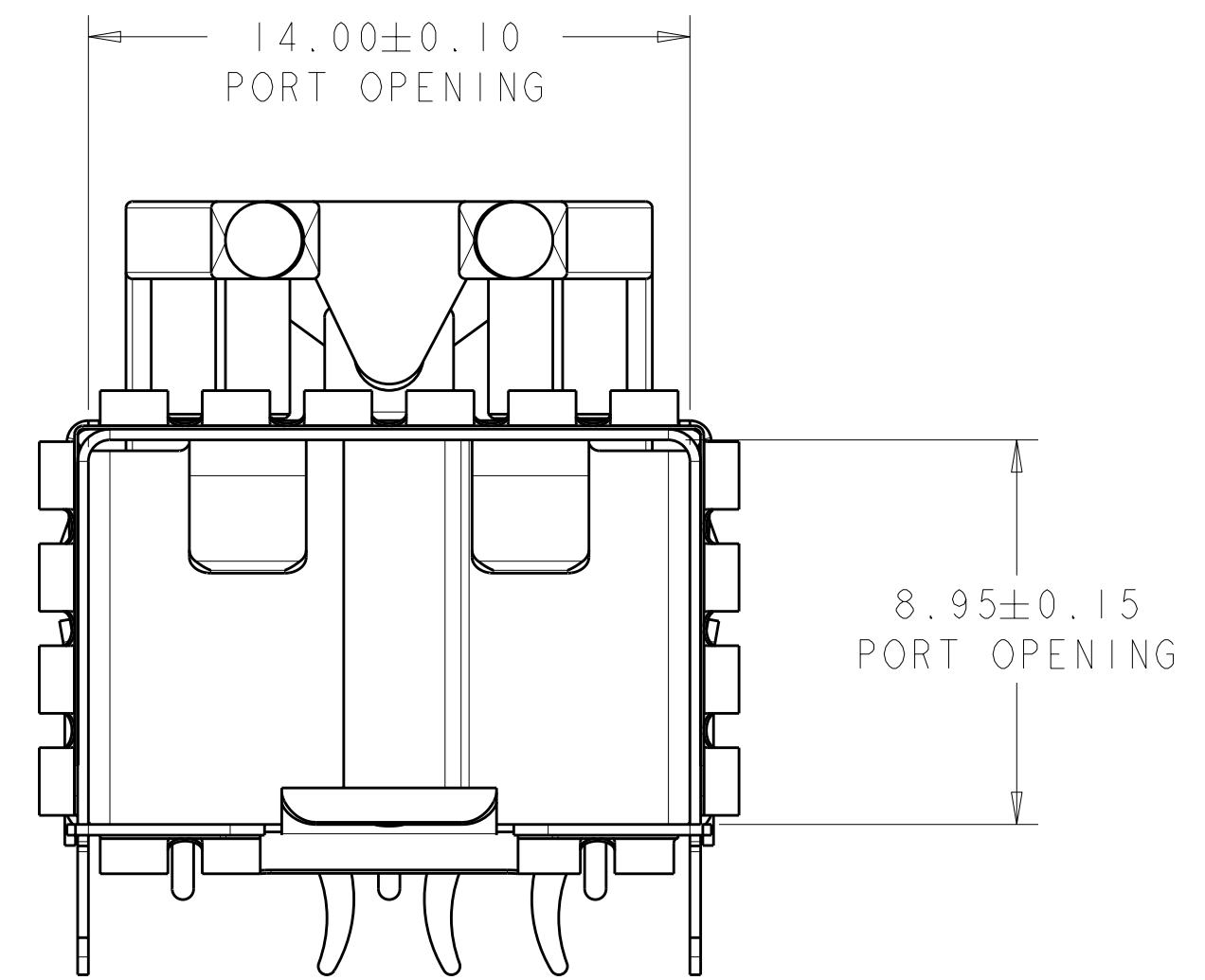
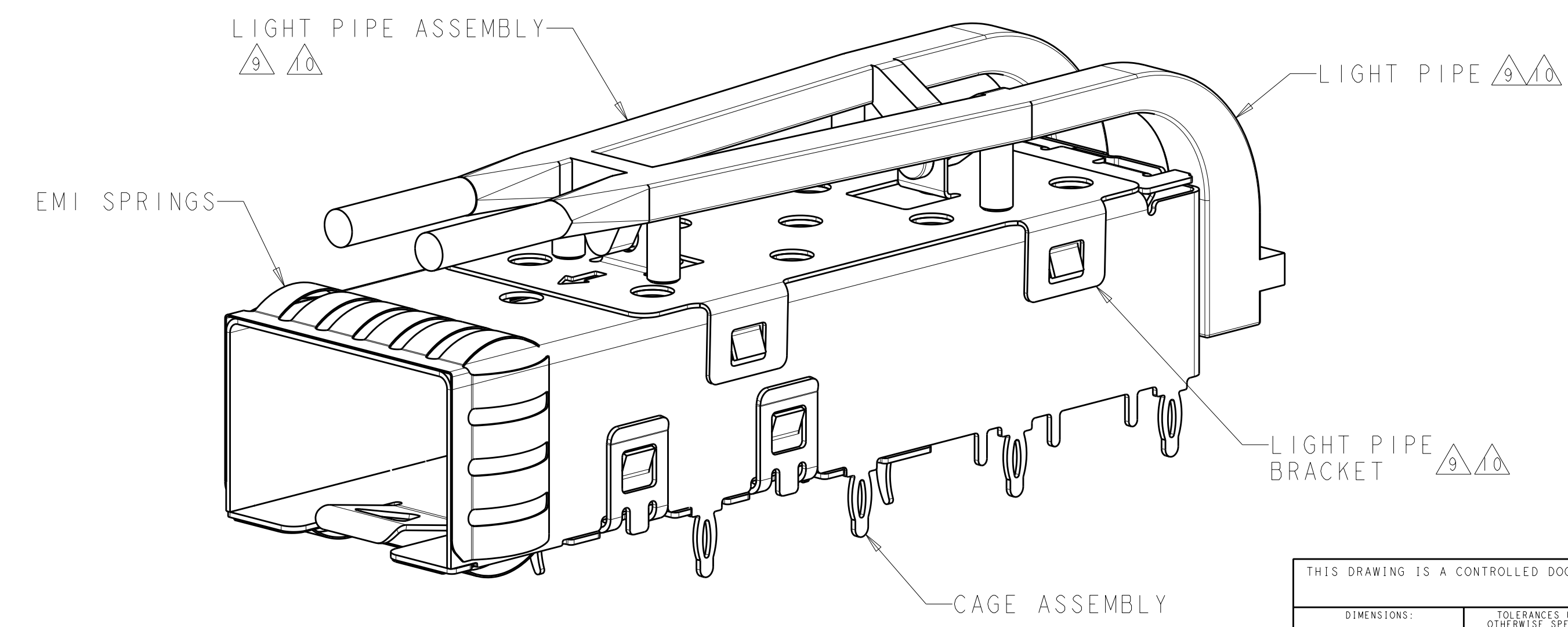


LOC	DIST	REVISIONS			
P	LTB	DESCRIPTION	DATE	DWN	APVD
A		INITIAL RELEASE	20MAY2011	TX	CW
B		REVISED PER ECO-11-019224	30JAN2012	TX	AC



- ⚠ MATERIAL:  
 CAGE ASSEMBLY - 0.25 THICK NICKEL-SILVER ALLOY.  
 EMI SPRINGS - COPPER ALLOY.  
 LIGHT PIPE - POLYCARBONATE, CLEAR.  
 LIGHT PIPE BRACKET - STAINLESS STEEL.
- ⚠ FINISH:  
 EMI SPRINGS - 0.8µm MIN MATTE TIN OVER 0.8µm MIN NICKEL  
 NON-PLATED EDGES PERMISSIBLE.
- 3. MATES WITH SFP MSA COMPLIANT TRANSCEIVERS.
- ⚠ PADS AND VIAS CHASSIS GROUND.
- ⚠ DATUM AND BASIC DIMENSION ESTABLISHED BY CUSTOMER.
- 6. MINIMUM PC BOARD THICKNESS:  
 SINGLE SIDED: 1.50mm  
 DOUBLE SIDED: 3.00mm
- ⚠ REFERENCE APPLICATION SPEC. 114-13120, HOLE A, FOR  
 RECOMMENDED DRILL HOLE DIAMETER AND PLATING THICKNESS.
- ⚠ REFERENCE APPLICATION SPEC. 114-13120, HOLE C, FOR  
 RECOMMENDED DRILL HOLE DIAMETER AND PLATING THICKNESS.  
 INTO PCB PRIOR TO ATTACHING THE LIGHTPIPE ASSEMBLY  
 TO THE CAGE.
- ⚠ LIGHT PIPE ASSEMBLY SHIPPED UNASSEMBLED TO CAGE ASSEMBLY.  
 CAGE ASSEMBLY TO BE PRESSED INTO PCB PRIOR TO ATTACHING  
 THE LIGHT PIPE ASSEMBLY TO THE CAGE.
- ⚠ LIGHT PIPE AND LIGHT PIPE BRACKET SHIPPED ASSEMBLED.



2110929-1  
 SCALE 5:1

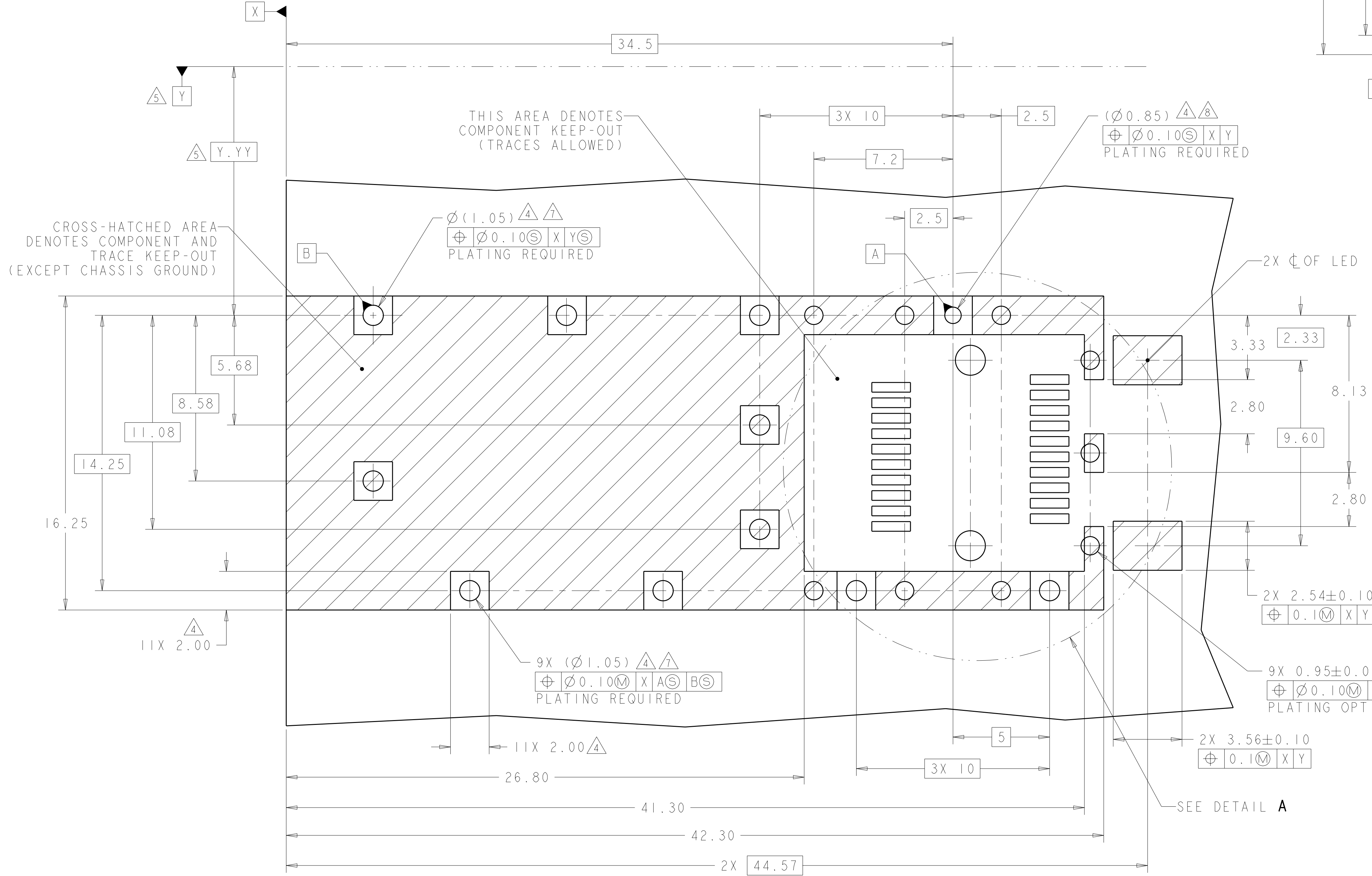
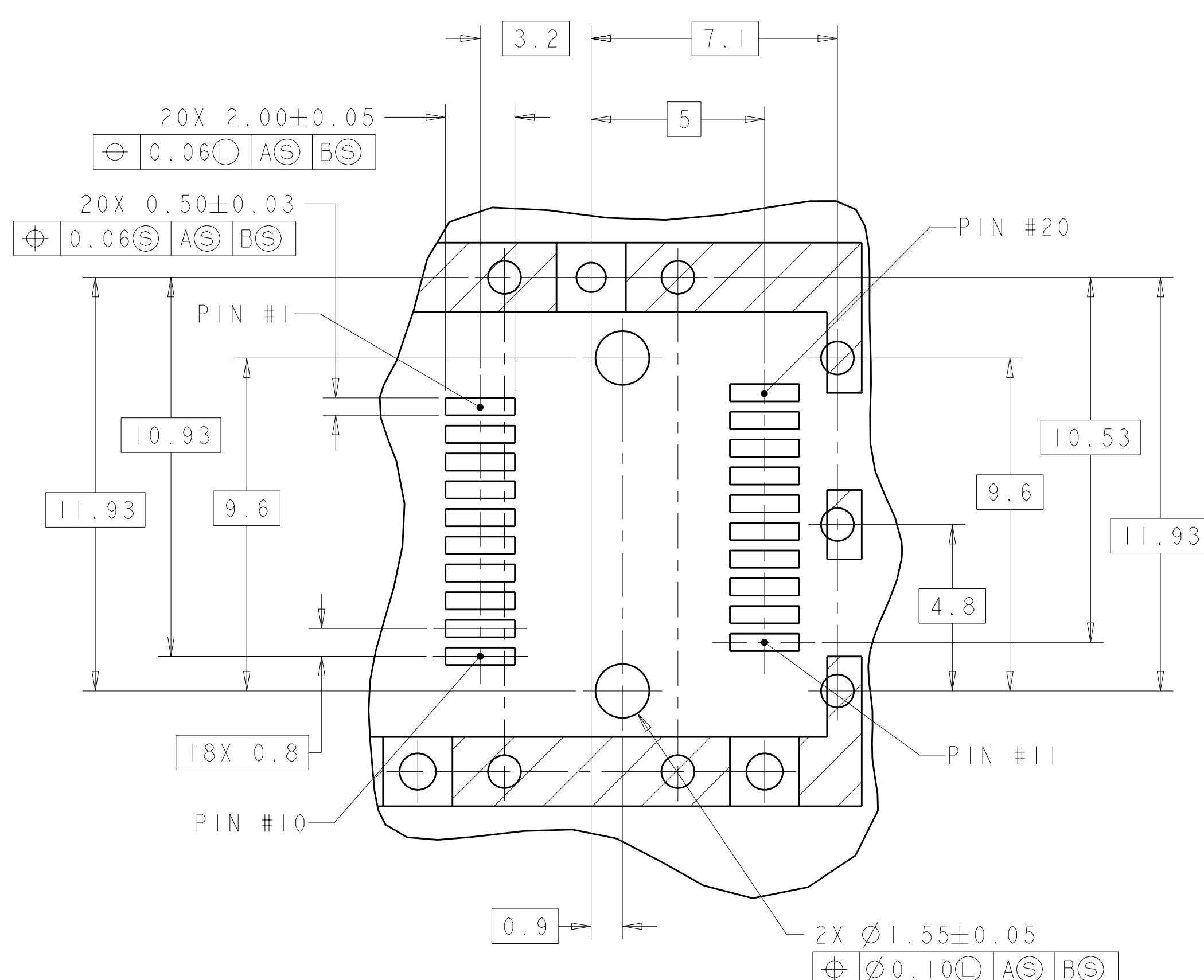
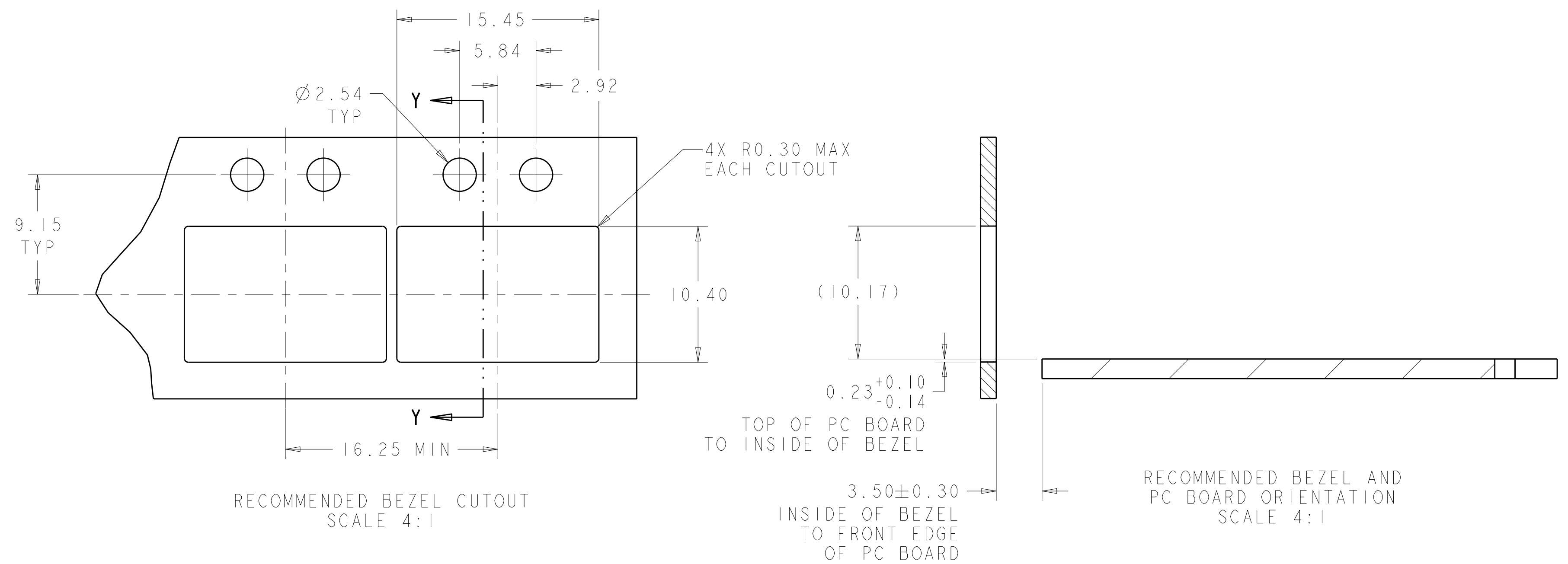
2110929-1  
 PART  
 NUMBER

THIS DRAWING IS A CONTROLLED DOCUMENT.		DWN Z. M. BEAM 31AUG2009	TE Connectivity	
DIMENSIONS:		CHK M. R. SCHMITT 31AUG2009	NAME	
mm	TOLERANCES UNLESS OTHERWISE SPECIFIED:	APVD P. H. WERTZ 31AUG2009	SFP+ 1X1 CAGE ASSEMBLY PRESS-FIT, EXTERNAL EMI SPRINGS, WITH REDUCED LENGTH LIGHT PIPES	
∅	9 PLC ±0.1	PRODUCT SPEC	SIZE CAGE CODE DRAWING NO RESTRICTED TO	
∅	1 PLC ±0.1	108-2364	A100779C=2110929	
∅	3 PLC ±0.1	APPLICATION SPEC	SCALE 6:1 SHEET 1 OF 2 REV B	
∅	5 PLC ±0.05	114-13120		
∅	4 PLC ±0.05	WEIGHT		
∅	ANGLES ±0.05	CUSTOMER DRAWING		
MATERIAL	FINISH			

LOC	DIST	REV	DATE	BY	APPD
GP	00				

REVISIONS		DATE	BY	APPD
1	SEE SHEET 1			



RECOMMENDED PCB LAYOUT SCALE 8:1

THIS DRAWING IS A CONTROLLED DOCUMENT.		DWN: Z.M.BEAM 31AUG2009	TE Connectivity
DIMENSIONS: mm		CHK: M.R.SCHMITT 31AUG2009	
TOLERANCES UNLESS OTHERWISE SPECIFIED:		APVD: R.H.WERTZ 31AUG2009	NAME: SFP+ 1X1 CAGE ASSEMBLY PRESS-FIT, EXTERNAL EMI SPRINGS, WITH REDUCED LENGTH LIGHT PIPES
9 PLC $\pm 0.1$		PRODUCT SPEC: 108-2364	SIZE: CAGE CODE DRAWING NO: A100779C=2110929
1 PLC $\pm 0.1$		APPLICATION SPEC: 114-13120	RESTRICTED TO: -
3 PLC $\pm 0.1$		WEIGHT: -	SCALE: 6:1 SHEET 2 OF 2 REV B
5 PLC $\pm 0.05$		CUSTOMER DRAWING	
4 PLC $\pm 0.05$			
ANGLES $\pm 0.05$			

## X-ON Electronics

Largest Supplier of Electrical and Electronic Components

*Click to view similar products for [I/O Connectors](#) category:*

*Click to view products by [TE Connectivity](#) manufacturer:*

Other Similar products are found below :

[571763P](#) [72.250.1628.2](#) [72.250.2428.2](#) [74720-0505](#) [76.350.0729.0](#) [76871-1403](#) [FCN-244F080-G/1](#) [FCN-260A9920](#) [MP-5T180MUNNA-005](#)  
[PCR-E36PM](#) [PCS-XE26MA+](#) [G38A71314B](#) [1571250010](#) [157-22500-3](#) [MS3471L14-19P L/C](#) [91-569786-35H](#) [172501-4002](#) [172501-6002](#)  
[FCN-260C008-A/L0](#) [FCN-260C024-AL0](#) [FCN-261Z008](#) [2000314-1](#) [200331-1](#) [PCR-E36FC+](#) [PCS-E28FS+](#) [PCS-XE26SLFD+](#) [PCS-](#)  
[XE26SLFDT+](#) [G730VID08BDC24](#) [HDMR-29-01-S-SM-TR](#) [U90B2054081210](#) [UE86K842720321](#) [38113800006](#) [DP3AR020WQ1R200](#)  
[Z4.102.0680.0](#) [500-1040](#) [500-1052](#) [500-1054](#) [ZP-4008-66L](#) [0709821002](#) [10-565995-597N](#) [DX40-20P\(55\)](#) [5554841-1](#) [U90B3054061110](#)  
[U65-E04-4020](#) [ZPF00000000097891](#) [557-262M2-06C](#) [747360449](#) [10099439-003C-TRLF](#) [10137239-0021LF](#) [E9320-001-01](#)