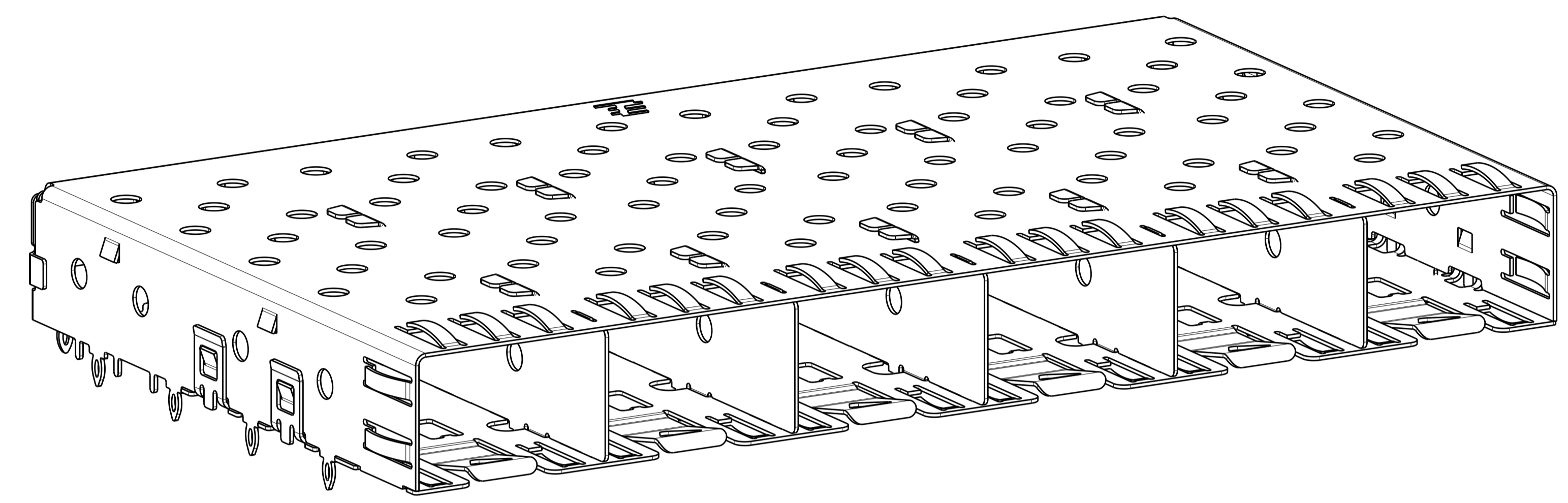
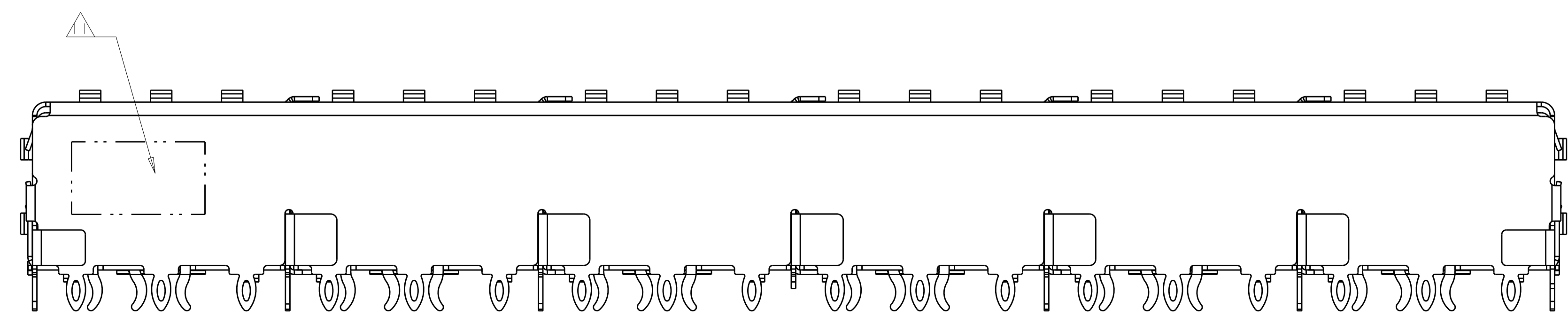
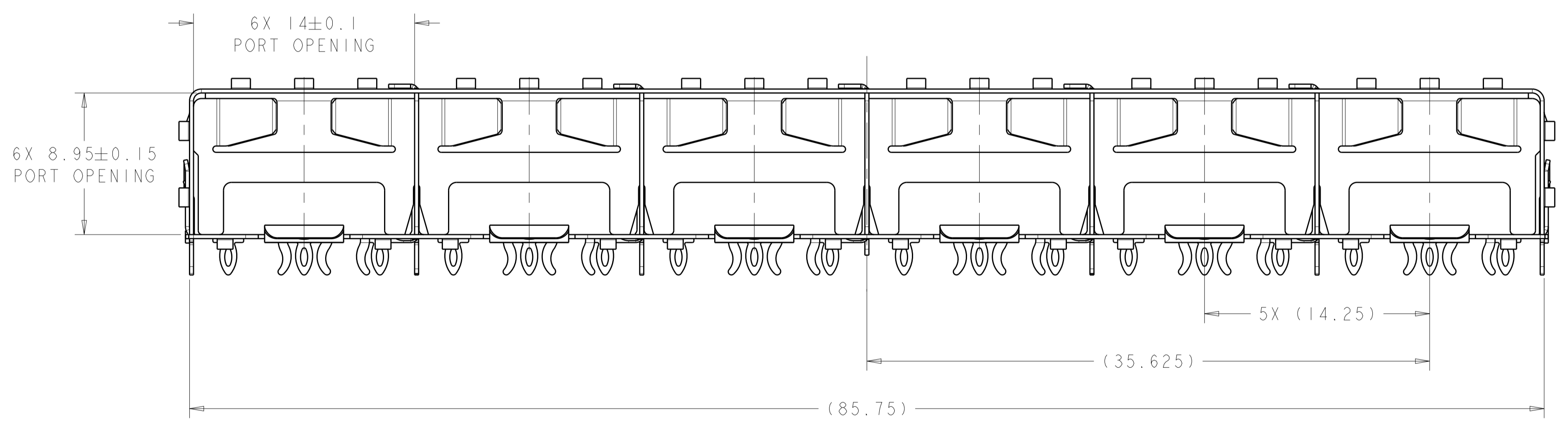
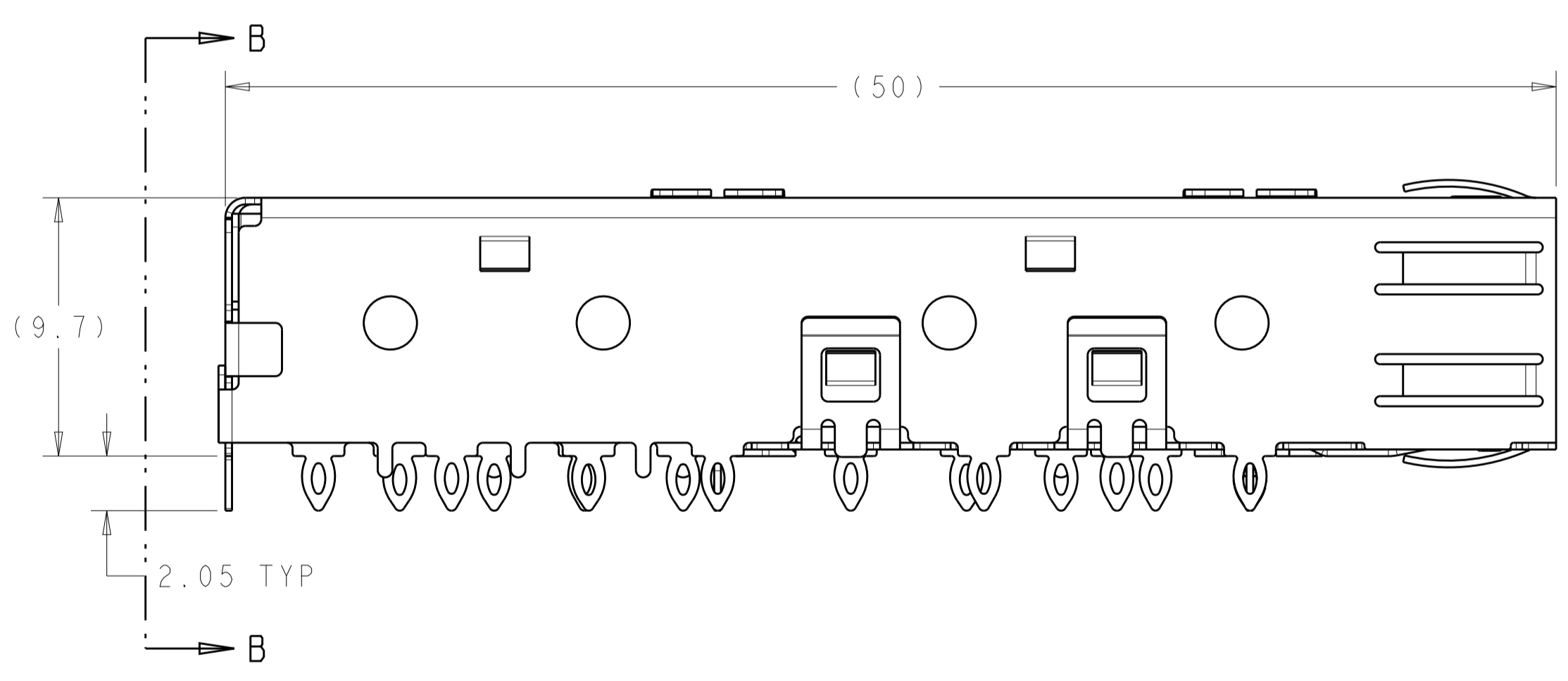


LOC	DIST	REVISIONS					
		P	LTN	DESCRIPTION	DATE	DMN	APVD
GP	00	B		RELEASED PER ECO-10-007728	15APR2010	CJV	MRS
		C		REVISED PER ECO-14-000886	20FEB2014	JW	SH
		C1		REVISED PER ECO-14-010419	11JUL2014	JW	SH
		D		REVISED PER ECO-15-013594	25SEP2015	JW	SH



2110957-1&2  
 SCALE 4:1

- 1. PADS AND VIAS CHASSIS GROUND.
- 2. DATUM AND BASIC DIMENSIONS ESTABLISHED BY CUSTOMER.
- 3. LIGHT PIPE KIT WHICH IS SEPARATE FROM CAGE ASSEMBLY, KIT TO BE ATTACHED AFTER SEATING OF 1761015-1 ON PC BOARD.
- 4. LABEL ON CAGE WILL HAVE PART NUMBER 1761015-1.
- 5. REFERENCE STYLE 1 ON APPLICATION SPECIFICATION 114-13165 FOR ADDITIONAL INFORMATION ON CAGE ASSEMBLIES WITH LIGHT PIPES.
- 6. REFERENCE APPLICATION SPEC 114-13120, HOLE A, FOR RECOMMENDED DRILL HOLES DIAMETER AND PLATING THICKNESSES.
- 7. PATTERN REPEATS FOR EACH PORT. SPACING BETWEEN PORTS IS 14.25mm.
- 8. MINIMUM PC BOARD THICKNESS = 1.50mm.
- 9. MATERIAL: COPPER ALLOY.
- 10. TIN PLATING PER ASTM B 545, 1.25µm MINIMUM THICKNESS, ALL OVER NICKEL FLASH PER QQ-N-290. NON-PLATED EDGES ARE PERMISSIBLE.
- 11. DATE CODE AND PART NUMBER IN APPROXIMATE LOCATION SHOWN
- 12. NICKEL SILVER ALLOY(NO PLATING)



SECTION B-B

**SUPERSEDED BY:**  
 2110957-2

NO	12	2110957-2
	9	2110957-1
FINISH	MATERIAL	PART NUMBER

THIS DRAWING IS A CONTROLLED DOCUMENT.

DMN	Z.M.BEAM	21SEP2009
CHK	M.B.SCHMITT	21SEP2009
APP'D	R.H.WERTZ	21SEP2009

STE TE Connectivity

NAME: SFP 1X6 CAGE ASSEMBLY PRESS-FIT

PRODUCT SPEC: 108-1950

APPLICATION SPEC: 114-13120

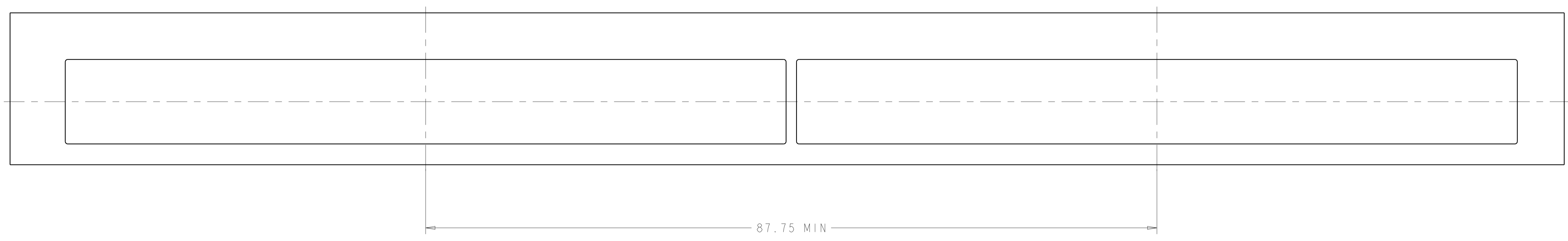
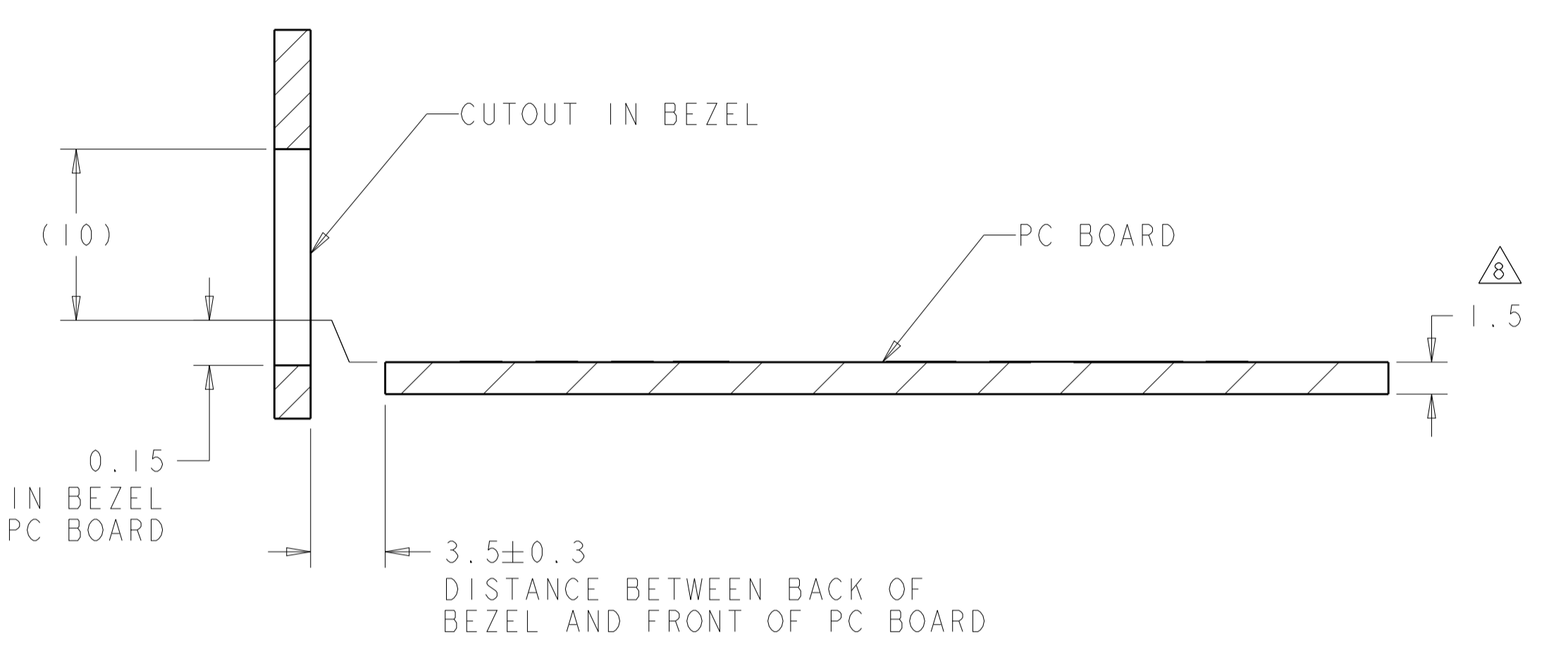
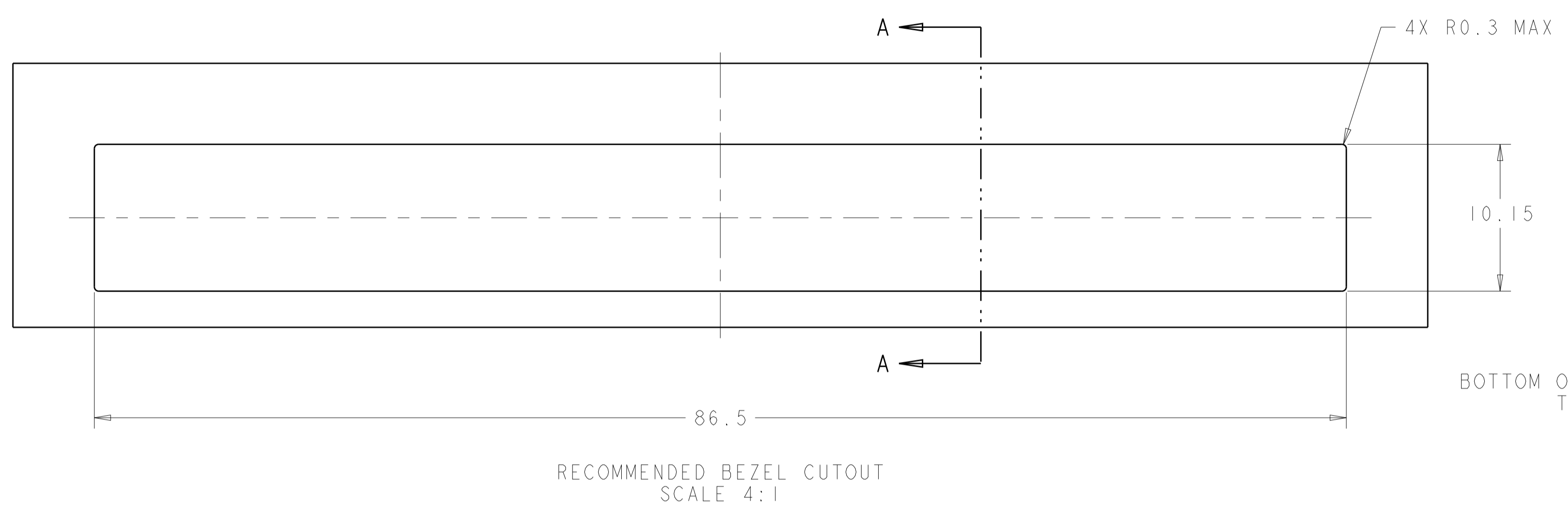
SIZE: A1


SCALE: 5:1

SHEET 1 OF 3

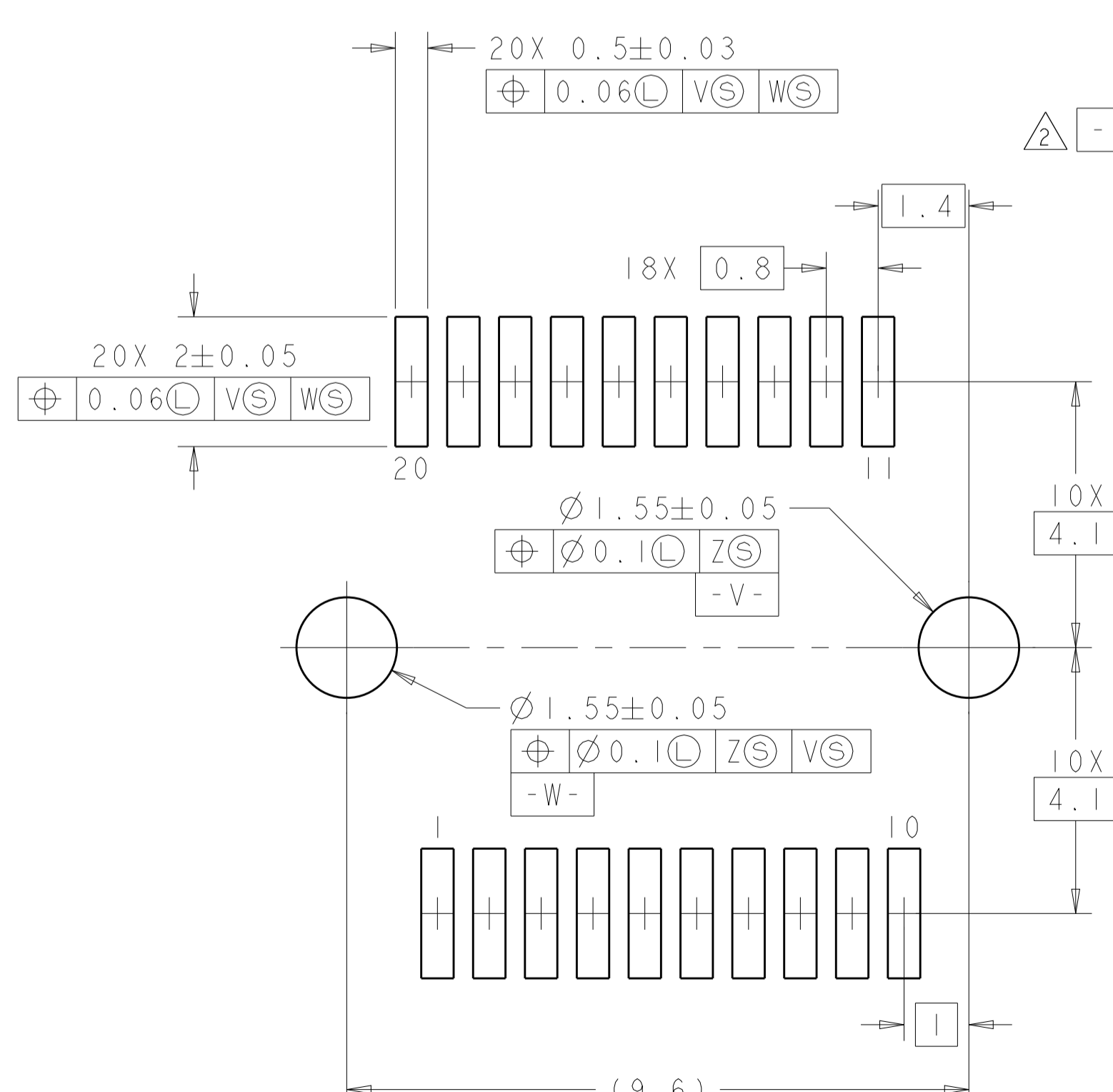
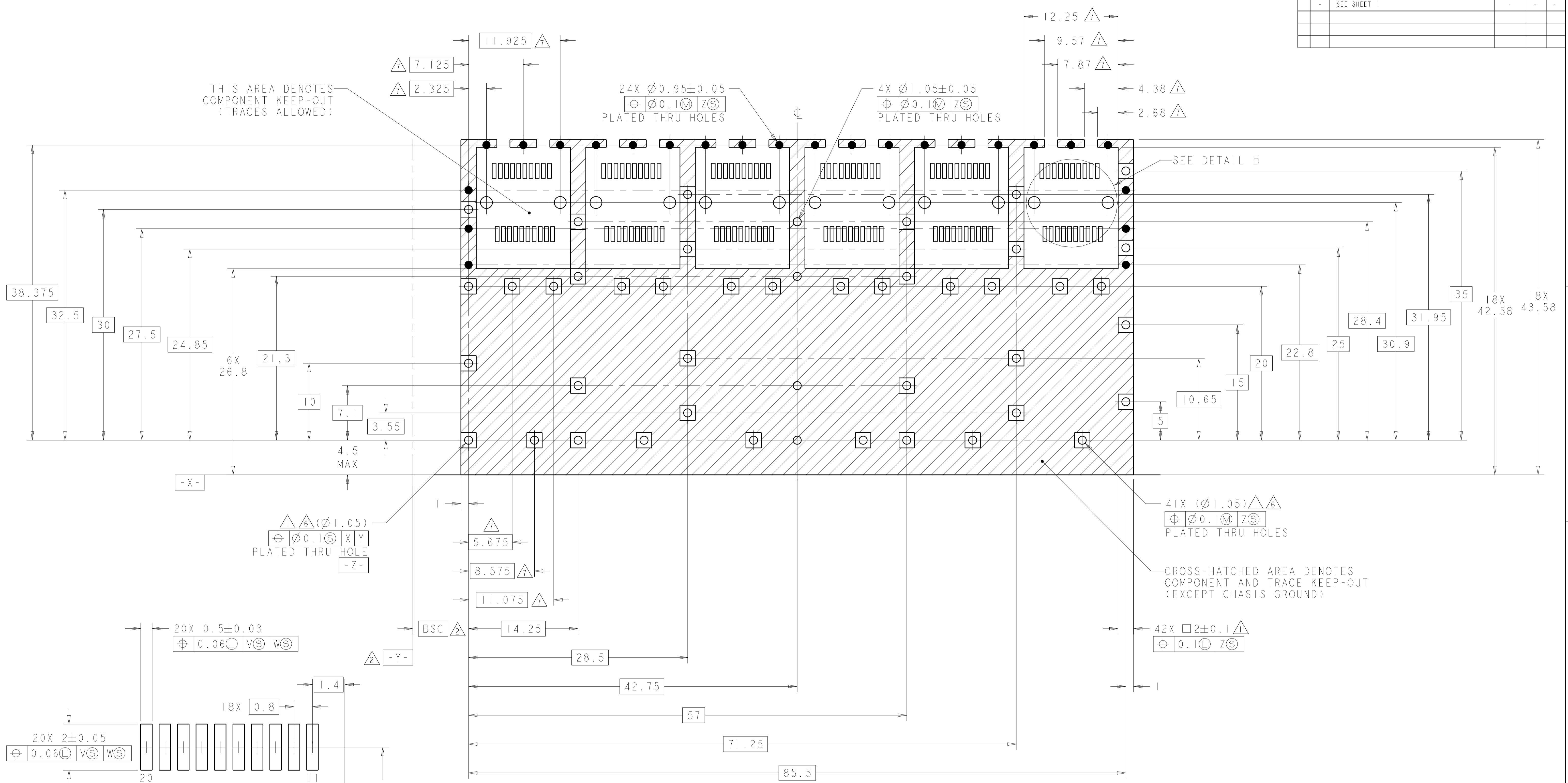
REV D

LOC		DIST		REVISONS			
P	LTN	DESCRIPTION	DATE	DMN	APVD		
-	-	SEE SHEET 1	-	-	-		



THIS DRAWING IS A CONTROLLED DOCUMENT.		DMN Z.M.BEAM	21SEP2009	 TE Connectivity
DIMENSIONS: mm		CHK M.B.SCHMITT	21SEP2009	
TOLERANCES UNLESS OTHERWISE SPECIFIED:		APVD B.H.WERTZ	21SEP2009	NAME SFP
0 PLC ±0.10		PRODUCT SPEC		1X6 CAGE ASSEMBLY
1 PLC ±0.10		108-1950		PRESS-FIT
2 PLC ±0.10		APPLICATION SPEC		SIZE CAGE CODE DRAWING NO RESTRICTED TO
3 PLC ±0.10		114-13120		A1 C=2110957 -
4 PLC ±0.10		WEIGHT		SCALE 5:1 SHEET 2 OF 3 REV D
ANGLES ±1°		CUSTOMER DRAWING		
FINISH				

LOC	DIST	REVISIONS					
GP	00	P	LTN	DESCRIPTION	DATE	OWN	APVD
		-		SEE SHEET 1			



THIS DRAWING IS A CONTROLLED DOCUMENT.		OWN: Z.M.BEAM 21SEP2009	TE Connectivity
DIMENSIONS: mm		CHK: M.R.SCHMITZ 21SEP2009	
TOLERANCES UNLESS OTHERWISE SPECIFIED:		APVD: P.H.WERTZ 21SEP2009	NAME: SFP
0 PLC $\pm 0.10$ 1 PLC $\pm 0.10$ 2 PLC $\pm 0.10$ 3 PLC $\pm 0.10$ 4 PLC $\pm 0.10$ ANGLES $\pm 0.10$		PRODUCT SPEC: 108-1950	SIZE: A1
MATERIAL: FINISH: #1*		APPLICATION SPEC: 114-13120	CAGE CODE: C=2110957
		WEIGHT: -	RESTRICTED TO: -
		CUSTOMER DRAWING	SCALE: 5:1 SHEET 3 OF 3 REV D

## X-ON Electronics

Largest Supplier of Electrical and Electronic Components

*Click to view similar products for [I/O Connectors](#) category:*

*Click to view products by [TE Connectivity](#) manufacturer:*

Other Similar products are found below :

[571763P](#) [58098-0628](#) [72.250.1628.2](#) [72.250.2428.2](#) [74720-0505](#) [76.350.0729.0](#) [76871-1403](#) [FCN-244F080-G/1](#) [FCN-260A9920](#) [PCR-E36PM](#) [PCS-XE26MA+](#) [G38A71314B](#) [1571250010](#) [157-22500-3](#) [MS3471L14-19P L/C](#) [172501-4002](#) [172501-6002](#) [FCN-260C008-A/L0](#) [FCN-260C024-AL0](#) [FCN-261Z008](#) [2000314-1](#) [200331-1](#) [PCR-E36FC+](#) [PCS-E28FS+](#) [PCS-XE26SLFD+](#) [PCS-XE26SLFDT+](#) [G730VID08BDC24](#) [U90B2054081210](#) [38113800006](#) [DP3AR020WQ1R200](#) [Z4.102.0680.0](#) [500-1040](#) [500-1052](#) [500-1054](#) [ZP-4008-66L](#) [0709821002](#) [DX40-20P\(55\)](#) [5554841-1](#) [MS3474W18-8P-LC\\*](#) [U90B3054061110](#) [U65-E04-4020](#) [ZPF000000000097891](#) [747360449](#) [10099439-003C-TRLF](#) [10137239-0021LF](#) [E9320-001-01](#) [10137239-0011LF](#) [70289-001LF](#) [70.060.1028.0](#) [109029-ZZ](#)