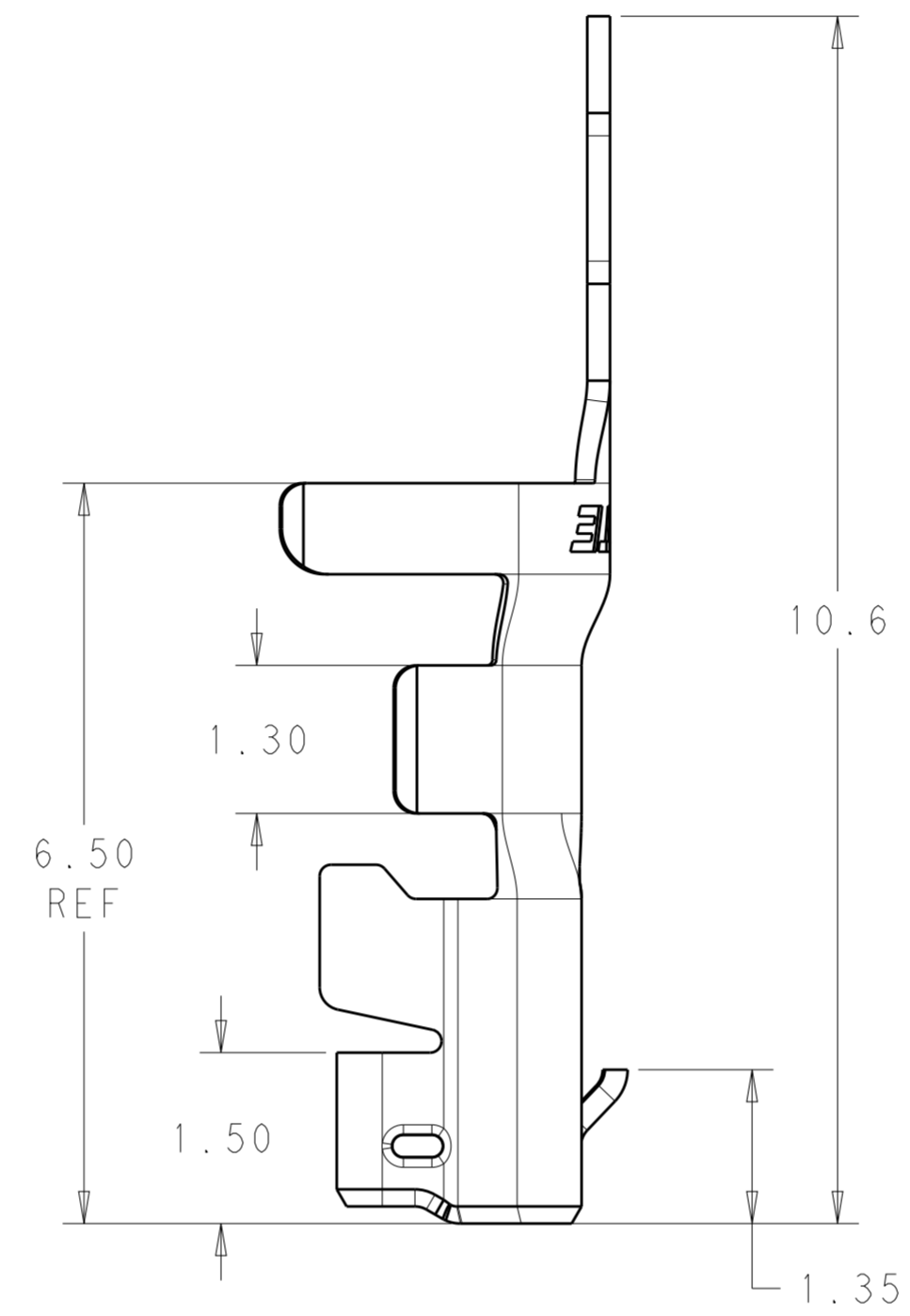
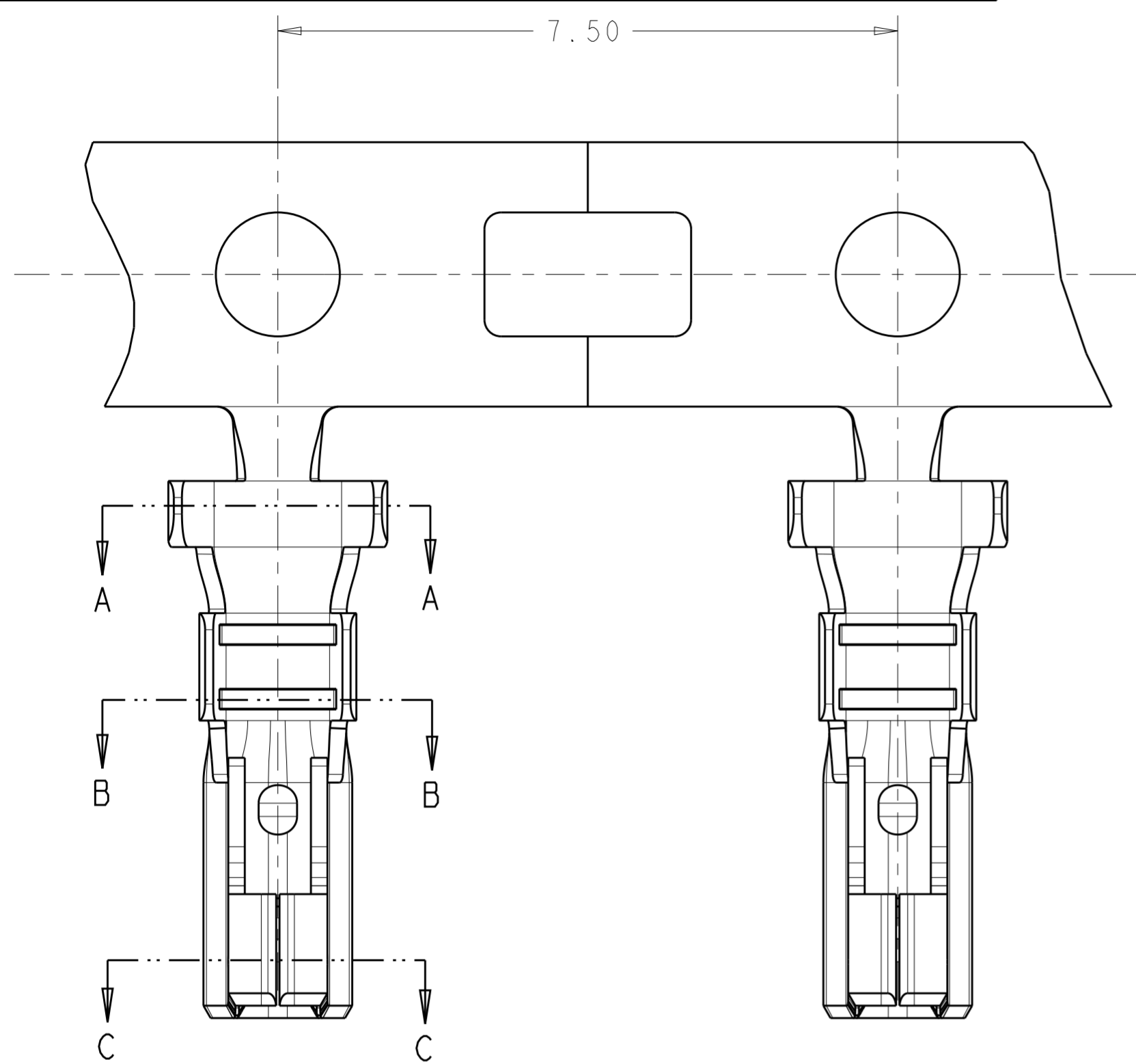
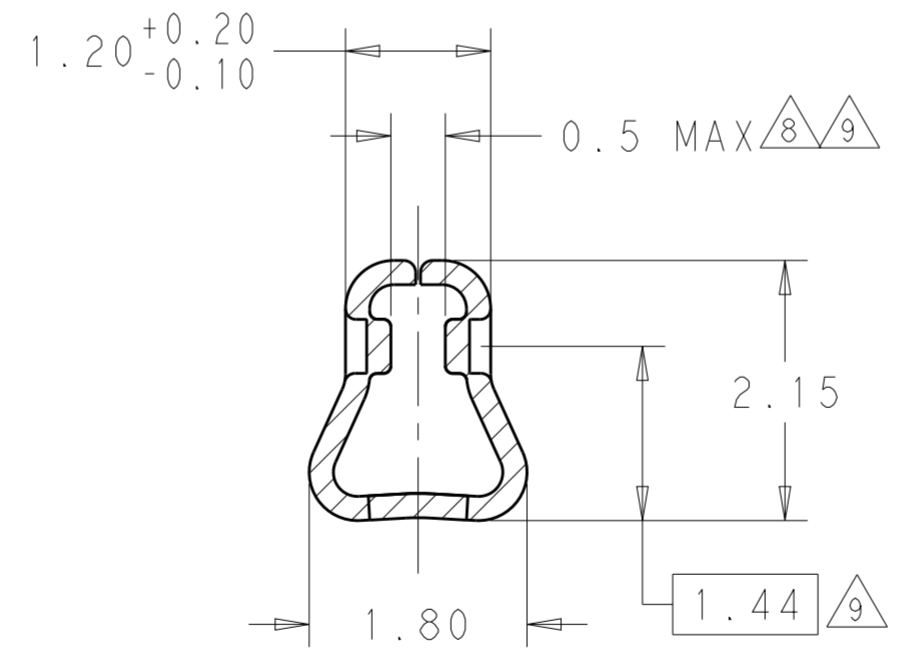
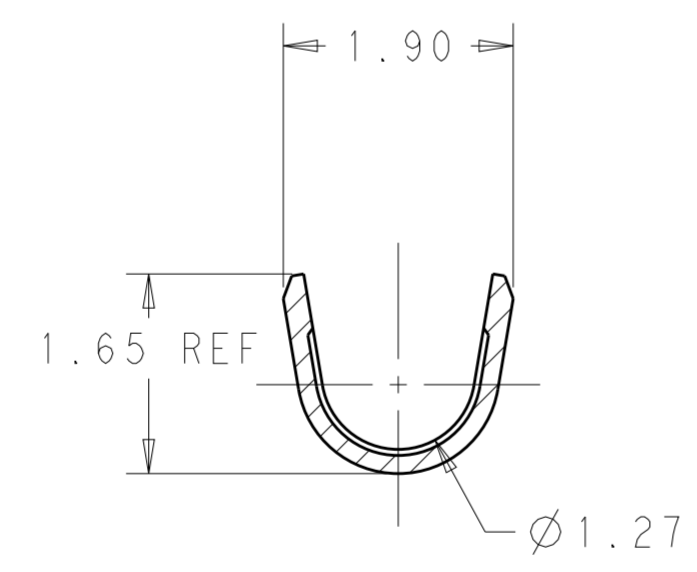
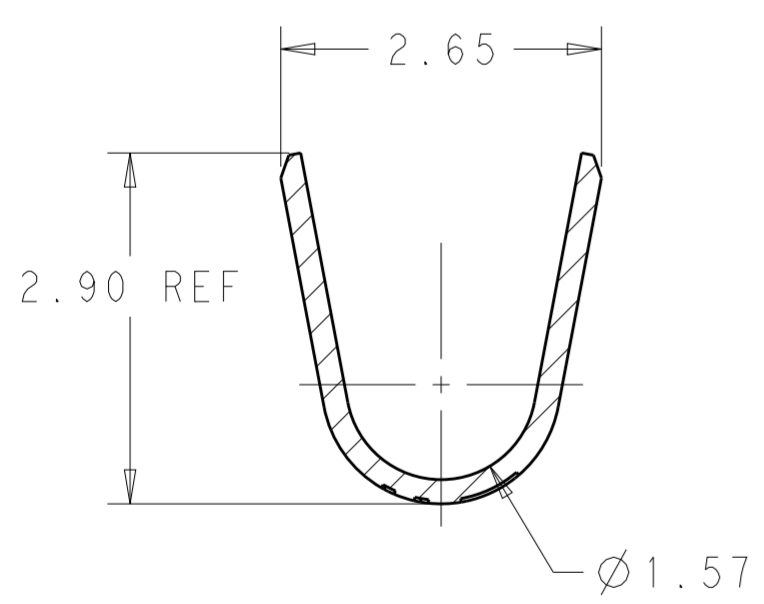
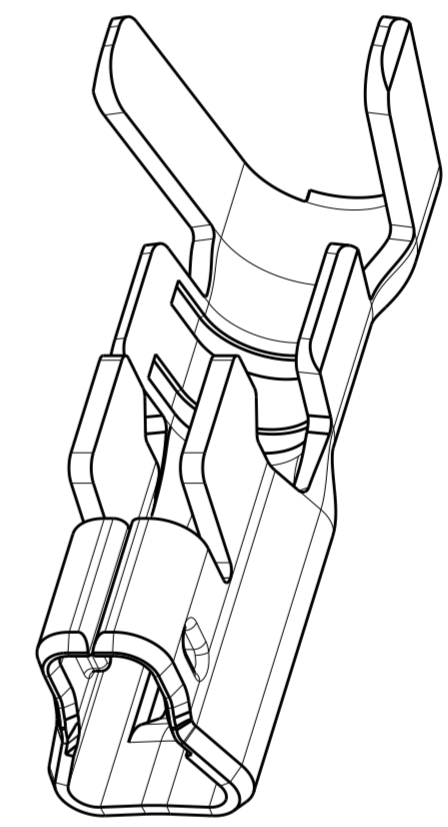


THIS DRAWING IS UNPUBLISHED. RELEASED FOR PUBLICATION 2009
 © COPYRIGHT 2009 ALL RIGHTS RESERVED.

| REVISIONS | | | | |
|-----------|-----|---------------------------|-----------|----------|
| P | LTR | DESCRIPTION | DATE | DWN APVD |
| | E2 | REVISED PER ECR-19-013267 | 08JAN2020 | WH DZ |
| | | | | |
| | | | | |



- 1 MATERIAL: PHOSPHOR BRONZE
- 2. DESIGNED FOR USE IN HOUSINGS []-1969442-[] OR []-1744417-[].
- 3. CONTACTS COATED WITH ANTI-FRETTING LUBRICANT.
- 4. CONTACT IS RoHS COMPLIANT.
- 5. WIRE RANGE: 0.13-0.36mm² [26-22 AWG] STRANDED.
- 6. INSULATION RANGE: 1.3-1.91
- 7 FINISH: PRE-TIN
- 8 AFTER CRIMP DIMENSION
- 9 MEASURE LOCATION FOR 0.50mm MAX DIMENSION



SECTION A-A

SECTION B-B

SECTION C-C

2110989-1
PART NUMBER

| | | | | |
|--|--|----------------------------|--|--|
| THIS DRAWING IS A CONTROLLED DOCUMENT. | | DWN 30SEP2009 C ROHLER | TE Connectivity | |
| DIMENSIONS: mm | | CHK 30SEP2009 C ROHDE | | |
| TOLERANCES UNLESS OTHERWISE SPECIFIED: | | APVD 30SEP2009 C ROHDE | NAME CONTACT, ECONOMY POWER 2.5 RECEPTACLE | |
| 0 PLC ± | | PRODUCT SPEC 108-2418 | SIZE CAGE CODE DRAWING NO RESTRICTED TO | |
| 1 PLC ±0.5 | | APPLICATION SPEC 114-13315 | A200779 C-2110989 | |
| 2 PLC ±0.30 | | WEIGHT - | SCALE N/A SHEET 1 OF 1 REV E2 | |
| 3 PLC ± | | Customer Drawing | | |
| 4 PLC ± | | | | |
| ANGLES ±1° | | | | |
| FINISH | | | | |

X-ON Electronics

Largest Supplier of Electrical and Electronic Components

Click to view similar products for [Headers & Wire Housings](#) category:

Click to view products by [TE Connectivity](#) manufacturer:

Other Similar products are found below :

[892-18-020-10-001101](#) [58102-G61-06LF](#) [582553-1](#) [0009485154](#) [009176003701906](#) [0050291907](#) [LY20-4P-DT1-P1E-BR](#) [02.125.8002.8](#)
[609-3404](#) [61062-3](#) [61082-181009](#) [622-3653LF](#) [63453-116](#) [636-1030](#) [636-1427](#) [636-3427](#) [636-4007](#) [641938-9](#) [641991-4](#) [644827-2](#) [65817-](#)
[010LF](#) [65817-015LF](#) [65863-015LF](#) [66207-023LF](#) [67095-007LF](#) [67601157](#) [68645-018](#) [68648-049](#) [70.362.1628.0](#) [70-4210](#) [70-4226B](#) [70-](#)
[4853B](#) [707-5020](#) [707-5028](#) [71.350.2428.0](#) [71918-208LF](#) [71961-016LF](#) [733-134](#) [733-162](#) [754199-000](#) [760-3052](#) [79531-3000](#) [FCN-](#)
[360C032-B](#) [FCN-367T-T012/H](#) [FCN-723D010/2](#) [80.063.4001.1](#) [800-90-010-10-002000](#) [801-43-002-10-013000](#) [801-43-006-10-002000](#)
[801-93-011-10-001000](#)