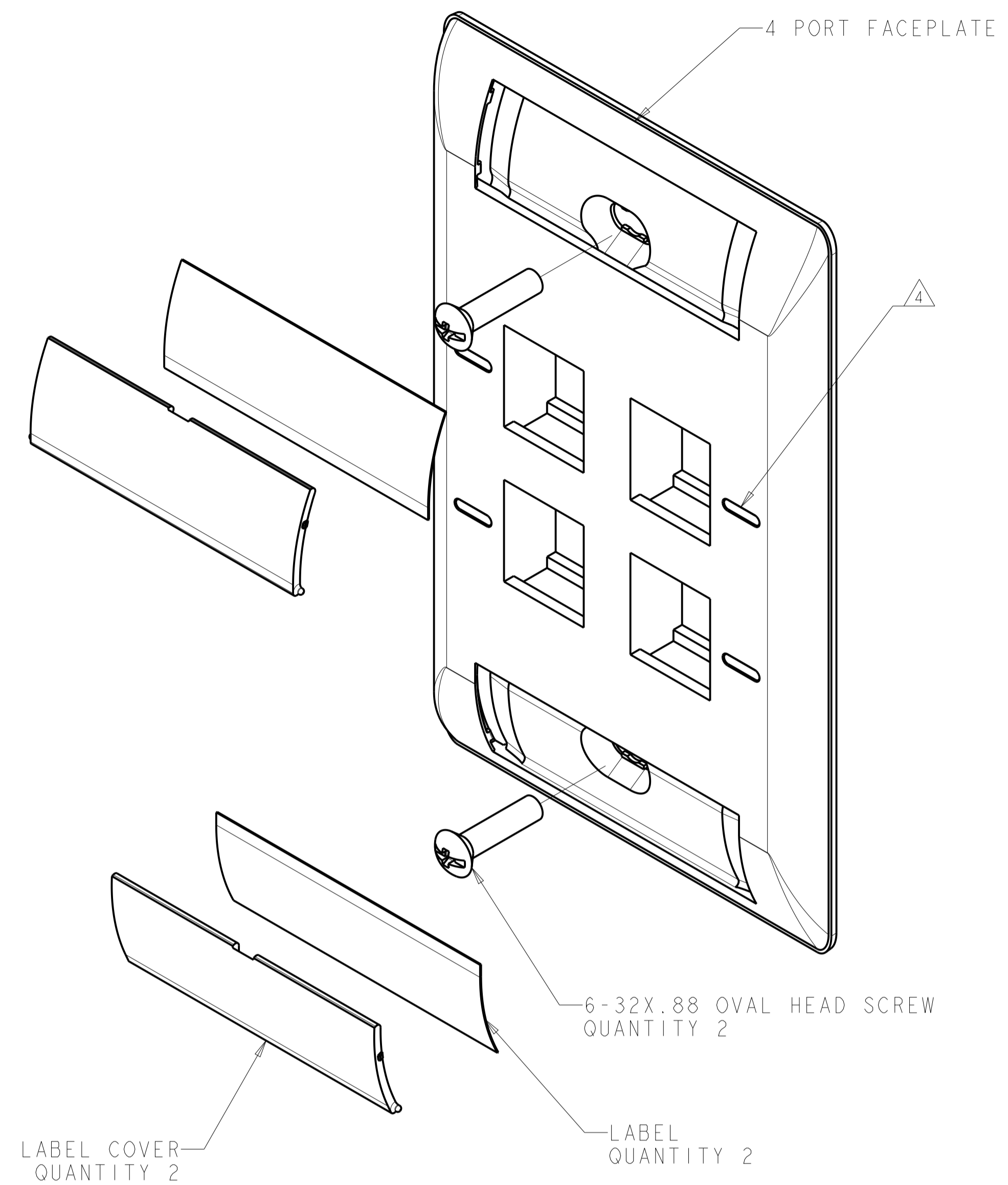
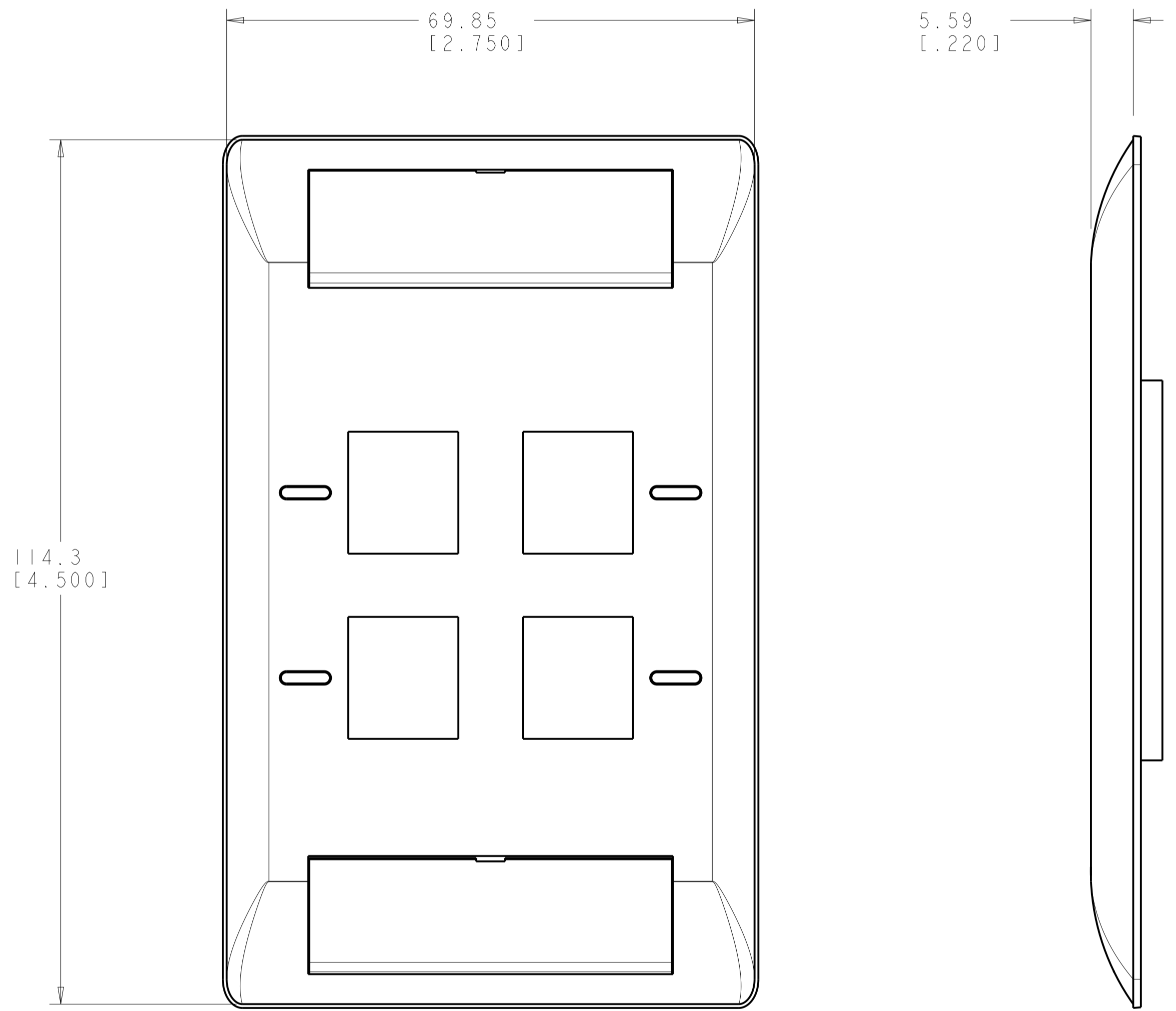


THIS DRAWING IS UNPUBLISHED. RELEASED FOR PUBLICATION  
 © 2016 COMMSCOPE, INC. CONFIDENTIAL NOTICE: THESE DRAWINGS AND SPECIFICATIONS ARE THE PROPRIETARY PROPERTY OF COMMSCOPE, INC. AND MAY BE USED ONLY FOR THE SPECIFIC PURPOSE AUTHORIZED IN WRITING BY COMMSCOPE, INC.

REVISIONS				
REV	LTN	DESCRIPTION	DATE	APP'D
A		RLSD; ECO-10-002954	09FEB2010	GG RA
B		REV; 40026397MCO	11NOV2015	GG LS
C		REV PER BNS_CD_BRAND	01FEB2017	GG DC



- ⚠ DIMENSIONS ARE NOMINAL UNLESS OTHERWISE SPECIFIED.
- ⚠ MATERIAL:  
FACEPLATE - POLYCARBONATE MOLDING COMPOUND. SEE TABLE FOR COLORS.  
SCREWS - ZINC PLATED CARBON STEEL.  
LABEL COVER - POLYCARBONATE MOLDING COMPOUND, CLEAR.  
LABEL - WHITE INDEX PAPER.
- 3. THIS KIT SHIPPED NOT ASSEMBLED.
- ⚠ MOLD OVER ICON FEATURE.



ALPINE WHITE	1-2111011-3
ELECTRIC IVORY	1-2111011-1
NEMA GRAY	2111011-4
BLACK	2111011-2
LIGHT ALMOND	2111011-1
COLOR	PART NUMBER

THIS DRAWING IS A CONTROLLED DOCUMENT.		DWN: G. GARRETT 31MAR2009 CHK: R. ASHBY 31MAR2009 APP'D: R. ASHBY 31MAR2009	<b>COMMSCOPE, INC.</b> NAME: KIT, FACEPLATE, COMMERCIAL, SINGLE GANG, 4 PORT PRODUCT SPEC: - APPLICATION SPEC: - WEIGHT: - CUSTOMER DRAWING	
DIMENSIONS: MM [INCHES] 0 PLC ± 1 PLC ± 2 PLC ± 3 PLC ± 4 PLC ± ANGLES ±	TOLERANCES UNLESS OTHERWISE SPECIFIED: ± ± ± ± ±	SIZE: A1 CAGE CODE: C=2111011 SCALE: 2:1 SHEET: 1 OF 1 REV: C	RESTRICTED TO: -	

## X-ON Electronics

Largest Supplier of Electrical and Electronic Components

*Click to view similar products for [Wire Ducting & Raceways](#) category:*

*Click to view products by [TE Connectivity](#) manufacturer:*

Other Similar products are found below :

[800A-LB](#) [801I-LSP](#) [802A-ECSP](#) [802I-ICSP](#) [923223-000](#) [PRAF6WH-X](#) [A0405538](#) [1301150342](#) [1301160034](#) [1301170070](#) [1301180011](#)  
[1301230083](#) [1301230153](#) [1301240273](#) [1301250006](#) [1302261238](#) [1302261321](#) [1302262552](#) [1302263103](#) [1302263178](#) [1302263259](#)  
[1302263816](#) [1302263860](#) [1302264375](#) [1302264390](#) [1301150343](#) [1301160030](#) [1301170050](#) [1301170051](#) [1301170061](#) [1301180013](#)  
[1301230086](#) [1301230130](#) [1301240054](#) [1302260055](#) [1302260376](#) [1302261343](#) [1302261344](#) [1302262674](#) [1302263095](#) [1302263166](#)  
[1302263209](#) [1302263513](#) [1302263851](#) [1302263870](#) [1302264137](#) [1302264218](#) [DD1/J](#) [AX102007](#) [AX102411](#)