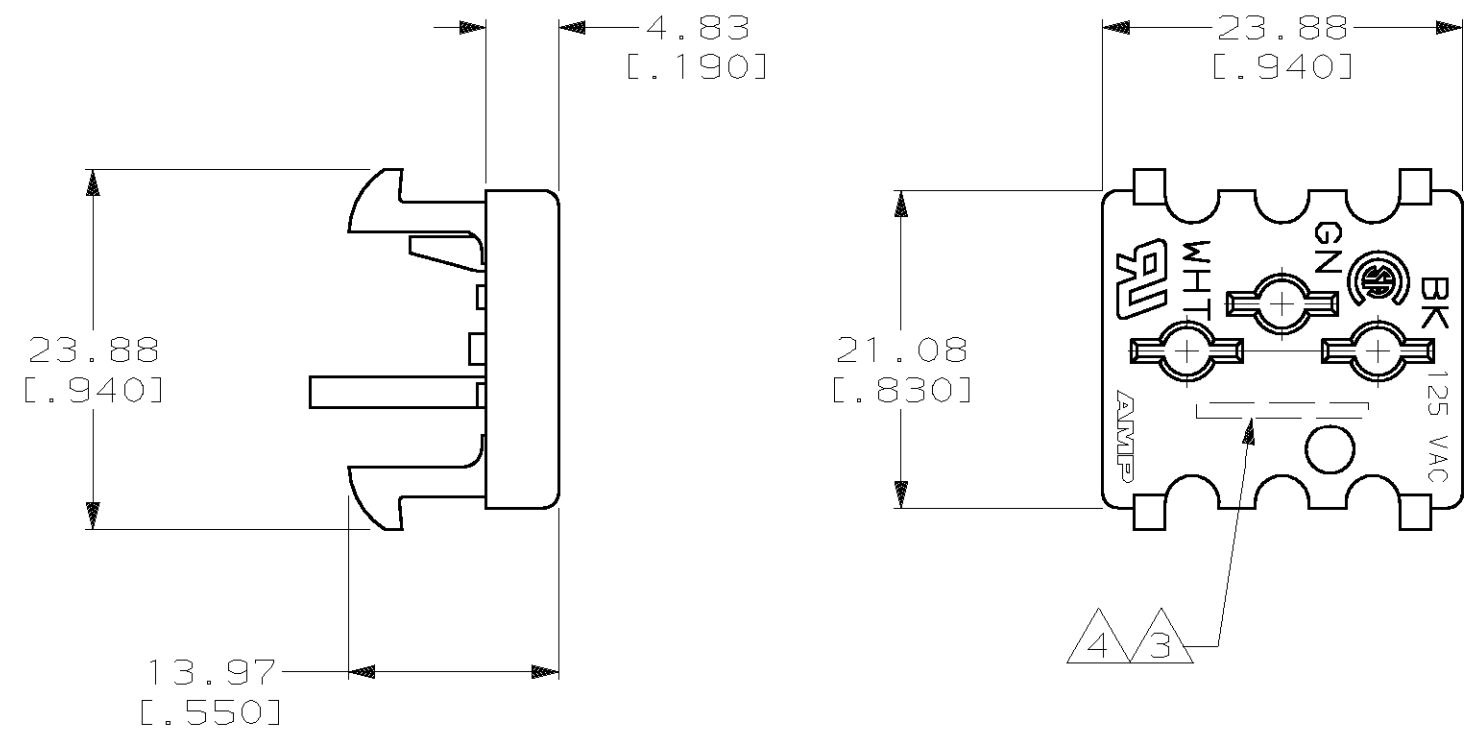


THIS DRAWING IS UNPUBLISHED. RELEASED FOR PUBLICATION, 19  
 © COPYRIGHT 19 BY AMP INCORPORATED. ALL INTERNATIONAL RIGHTS RESERVED.

LOC	DIST	P	F	ZONE	LTR	DESCRIPTION	DATE	APPD
BD	39				01	ADDED -3 NPR 4908, WAS 93-4957-003-1 REDRAWN ON CAD	08/24/93	-
					A	REV PER EC0020-540-94	06/06/94	ATC
					B	OBSOLETE -3 PER EC 0020-1427-94	01/26/95	ATC
					C	REV PER EC 0G1C-69-99	27 JUL 99	RE
					D	REV PER 0G3B-0240-99	13JAN00	DAB



- 1 NYLON, BLACK, UL 94V-2 RATED.
- 2 NYLON, FLAME RETARDANT, BLACK, UL 94V-0 RATED.
- 3 WIRE AND RATING IN THIS AREA: "12 AND 14 AWG-15A".
- 4 WIRE AND RATING IN THIS AREA: "18 AWG-10A" AND 16 AWG-13A.

OBSOLETE	3	2	211110-3
	4	1	211110-2
	3	1	211110-1

		WIRE AND RATING	MATERIAL	PART NO
DO NOT SCALE PRINT. UNLESS SPECIFIED DIMENSIONS IN mm [INCHES] TOLERANCES ON: 2 PLC DEC ± 0.25 [.010] 3 PLC DEC ± - ANGLES ± -		DR 08/24/93 D.GELTZ	<b>AMP</b> AMP Incorporated Harrisburg, PA 17105-3608	NAME <b>COVER, CONVENIENCE OUTLET, SPECIAL</b>
MATERIAL SEE TABLE		CHK 08/26/93 R.STONE		
FINISH -		APPD 08/27/93 T.COULSON		
		APPD 08/30/93 C.ROHDE		
		PRODUCT SPEC -	SIZE B	CAGE CODE 00779
		APPLICATION SPEC -	DRAWING NO C-211110	
		WEIGHT -	SCALE 2:1	SHEET 1 OF 1

THIS DRAWING IS A CONTROLLED DOCUMENT FOR AMP INCORPORATED. IT IS SUBJECT TO CHANGE AND THE CONTROLLING ENGINEERING ORGANIZATION SHOULD BE CONTACTED FOR THE LATEST REVISION.

## X-ON Electronics

Largest Supplier of Electrical and Electronic Components

*Click to view similar products for [Power to the Board](#) category:*

*Click to view products by [TE Connectivity](#) manufacturer:*

Other Similar products are found below :

[6450171-4](#) [6450552-7](#) [6600323-8](#) [6643429-1](#) [6646040-2](#) [6651939-1](#) [6766604-1](#) [120959-1](#) [1393557-2](#) [1393532-2](#) [1393532-3](#) [1393532-4](#)  
[1393557-1](#) [1600812-5](#) [1-6450861-2](#) [1744132-7](#) [1761122-1](#) [1766250-1](#) [1892109-1](#) [2-6450860-5](#) [2-6450870-0](#) [1-6450161-4](#) [1-6450850-6](#) [1-6450869-6](#) [1645526-2](#) [1-6600130-0](#) [2005243-2](#) [377-0020-11130](#) [TE34-12-16P-F0](#) [5-6450830-6](#) [5646956-4](#) [377-0080-11131A](#) [4-6450830-9](#)  
[4-6600333-3](#) [10125416-4050LF](#) [6600320-3](#) [3-6450860-5](#) [1888123-2](#) [6450166-1](#) [6643978-1](#) [6766605-1](#) [701-15-02109](#) [N11444](#) [6651938-1](#)  
[6450810-7](#) [46437-1112](#) [1-1589677-8](#) [5646956-5](#) [6450813-2](#) [6450129-4](#)