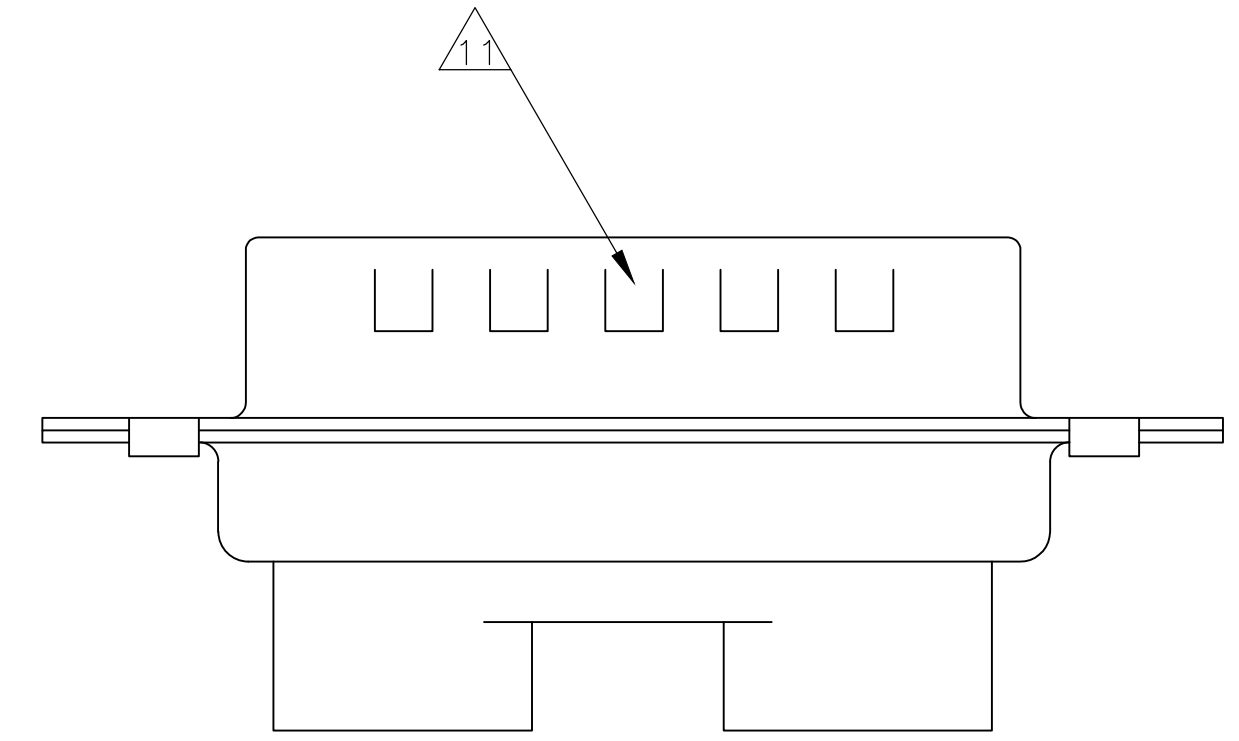
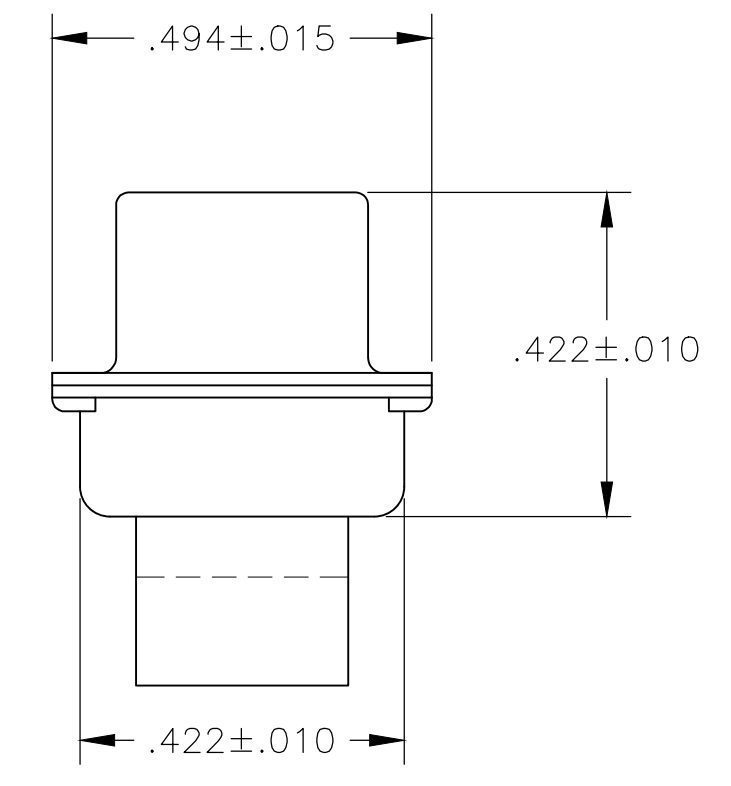
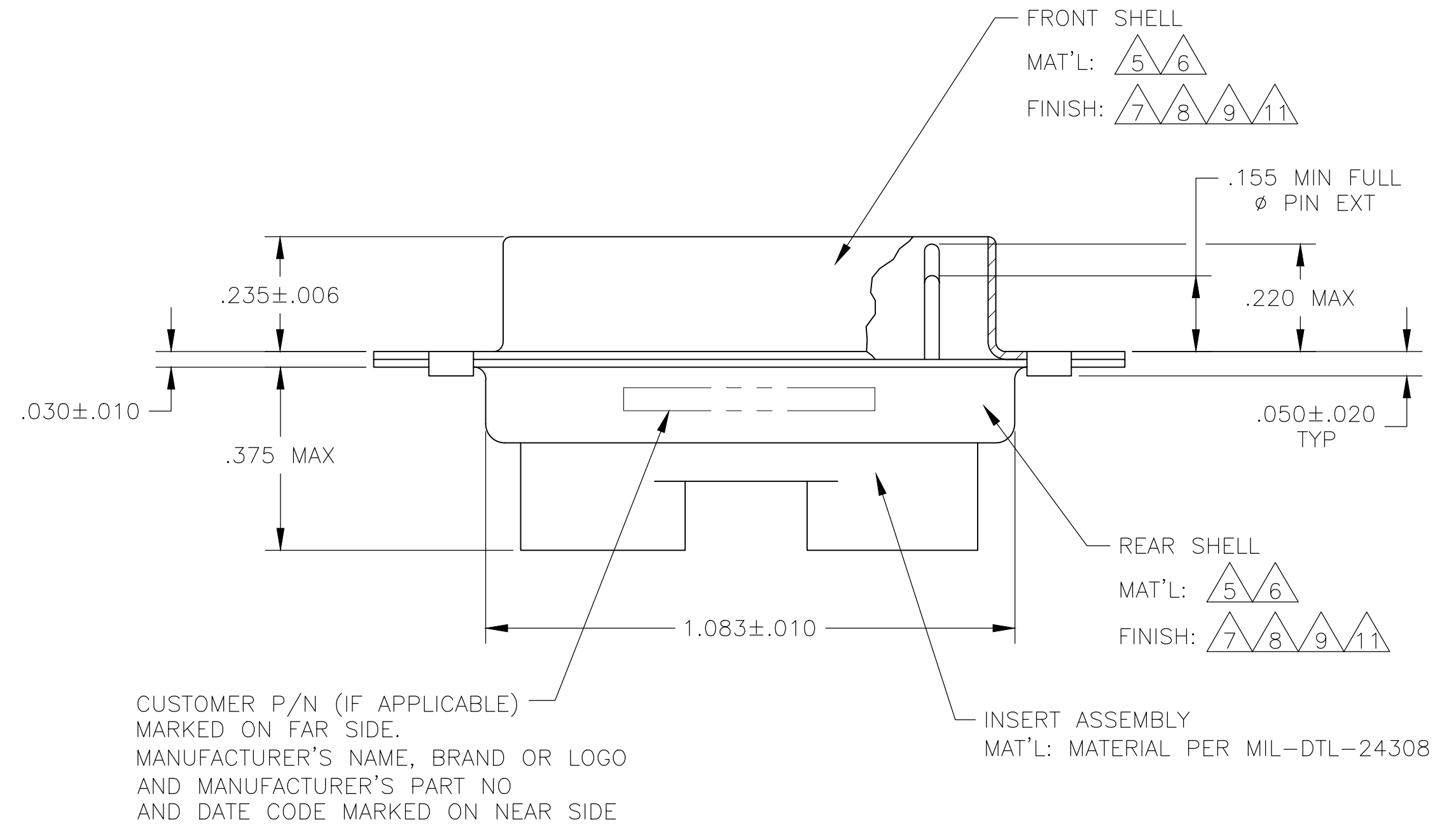
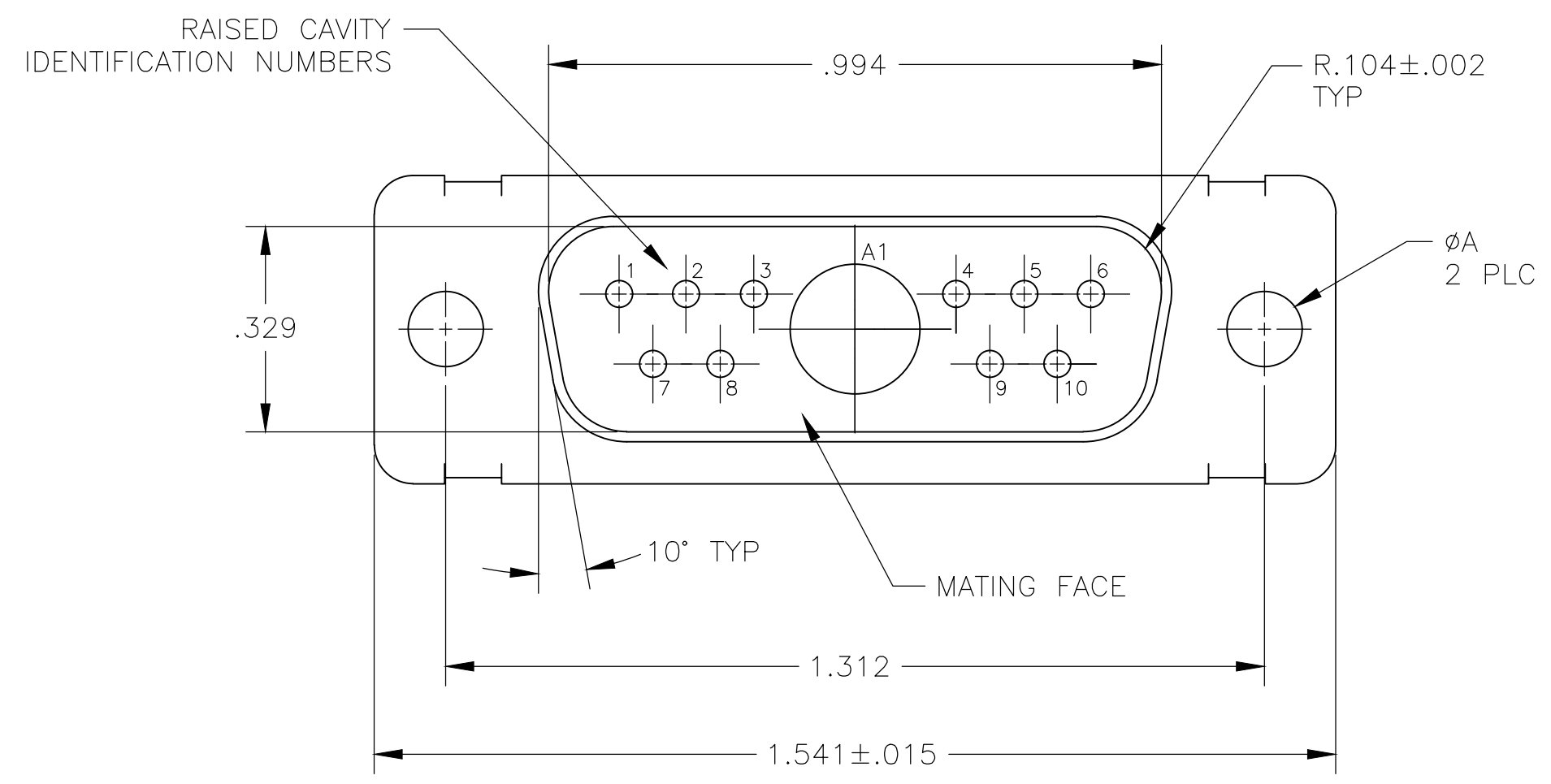


REVISIONS					
P	LTR	DESCRIPTION	DATE	DMN	APVD
AD		REVISED PER ECO-20-000269	1-7-19	CT	DM

- THIS PLUG WILL MATE WITH ANY 11C1, SIZE 2 RECEPTACLE IN AMPLIMITE SERIES.
- MAXIMUM WIRE INSULATION TO BE USED WITH THIS PLUG IS $\phi.068$.
- THIS CONNECTOR ACCEPTS (1) POWER 8, OR COAX PIN CONTACT IN POSITIONS A1, PURCHASED SEPARATELY.
- THIS CONNECTOR ACCEPTS SIZE 20 PIN CONTACTS IN POSITIONS 1 THRU 32. PURCHASED SEPARATELY.
- STEEL PER ASTM-A-109.
- BRASS PER MIL-C-50 AND ASTM-B-36 UNS NO. C26000.
- CADMIUM PLATED PER QQ-P-416.
- GOLD PLATED PER MIL-G-45204 TYPE II, GRADE C, CLASS 1 OVER COPPER PER MIL-C-14550, CLASS IV.
- FINISH: TIN PER ASTM-B-545 .000400 MIN THK OVER COPPER PER AMS2418 .000050 MIN THK.
- FRONT SHELL HAS GROUNDING INDENTS FOR 211111-4, 211111-6, & 5-211111-4 ONLY.
- FINISH: ZINC PLATE PER ASTM-B-633 .000200-.000400 THK WITH SUPPLEMENTARY CHROMATE (Cr3+).



CUSTOMER P/N (IF APPLICABLE) MARKED ON FAR SIDE.
 MANUFACTURER'S NAME, BRAND OR LOGO AND MANUFACTURER'S PART NO AND DATE CODE MARKED ON NEAR SIDE

INSERT ASSEMBLY
 MAT'L: MATERIAL PER MIL-DTL-24308

$\triangle 5 \triangle 10 \triangle 9$.120	-	5-211111-4
$\triangle 5 \triangle 11$.120	-	5-211111-1
$\triangle 5 \triangle 9$.120	-	211111-7
$\triangle 5 \triangle 10 \triangle 9$.120	-	211111-6
$\triangle 6 \triangle 8$.120	B010942-0037	211111-5
$\triangle 5 \triangle 9 \triangle 10$.120	-	211111-4
$\triangle 6 \triangle 8$.154	311P405-9P-B-15	211111-3
$\triangle 6 \triangle 8$.120	311P405-9P-B-12	211111-2
$\triangle 5 \triangle 7$.120	-	211111-1
REMARKS	ϕA	CUSTOMER PART NO.	MFG'S PART NO.

THIS DRAWING IS A CONTROLLED DOCUMENT.		DIN 27-May-15 MANJUNATH G.M.		TE Connectivity	
DIMENSIONS: INCHES		CHK 27-May-15 CHARLES THOMAS		NAME	
TOLERANCES UNLESS OTHERWISE SPECIFIED:		APVD 27-May-15 CHARLES THOMAS		PRODUCT SPEC	
0. PLC ± -		APPLICATION SPEC		SIZE	
1. PLC ± -		SCALE		CAGE CODE	
2. PLC ± -		DRAWING NO		RESTRICTED TO	
3. PLC ± .005(0.13)		WEIGHT		DRAWING NO	
4. PLC ± -		0.000000		A1 00779	
ANGLES ± # 0°30'		CUSTOMER DRAWING		SCALE 4:1 SHEET 1 OF 1 REV AD	

X-ON Electronics

Largest Supplier of Electrical and Electronic Components

Click to view similar products for [D-Sub MIL Spec Connectors](#) category:

Click to view products by [TE Connectivity](#) manufacturer:

Other Similar products are found below :

[M85049/50-5F](#) [850-056-0812](#) [1218697-4](#) [1484349-1](#) [17D25HV](#) [1996840-1](#) [243082-15](#) [1757682-1](#) [17D-E51218-1](#) [17SDA15S](#) [1883533-1](#)
[1883886-1](#) [1883889-1](#) [192900-0377](#) [M24308/8-347](#) [M83513/03-E09C](#) [443961-3](#) [5-1218949-1](#) [550-031NF1R6K](#) [3-1236089-2](#)
[550E001NF1R3J0L](#) [550T001NF1R6K0L](#) [557T283NF5B08](#) [DB121073-56](#) [DC121073157](#) [443869-3](#) [443869-4](#) [443869-5](#)
[550S004NF1R1B0F03](#) [557E283NF1A06](#) [527-019NF0303R2K1F](#) [5-446405-1](#) [550-031NF1R2E](#) [550E003M2R9J0F04](#) [550E003M3R9J0F05](#)
[550E024M104R9J0](#) [550E024NF102R3J0B](#) [550E039NF1R3J1-02](#) [550S003M3R9B0F05](#) [550S004M4R7M0F04](#) [550S004NF1R1B1F02](#)
[550S008M3F0K0F04](#) [550S086M5R3J0L](#) [550S100NF3F0E](#) [550T001M2R7E0L](#) [550T001NF1F0B1L](#) [550T001NF1R1K0G](#)
[550T001NF1R3K0G](#) [550T001NF1R4K0L](#) [550T001NF2R2K0L](#)