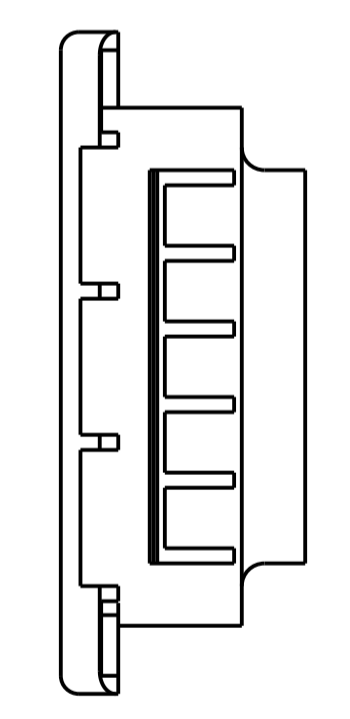
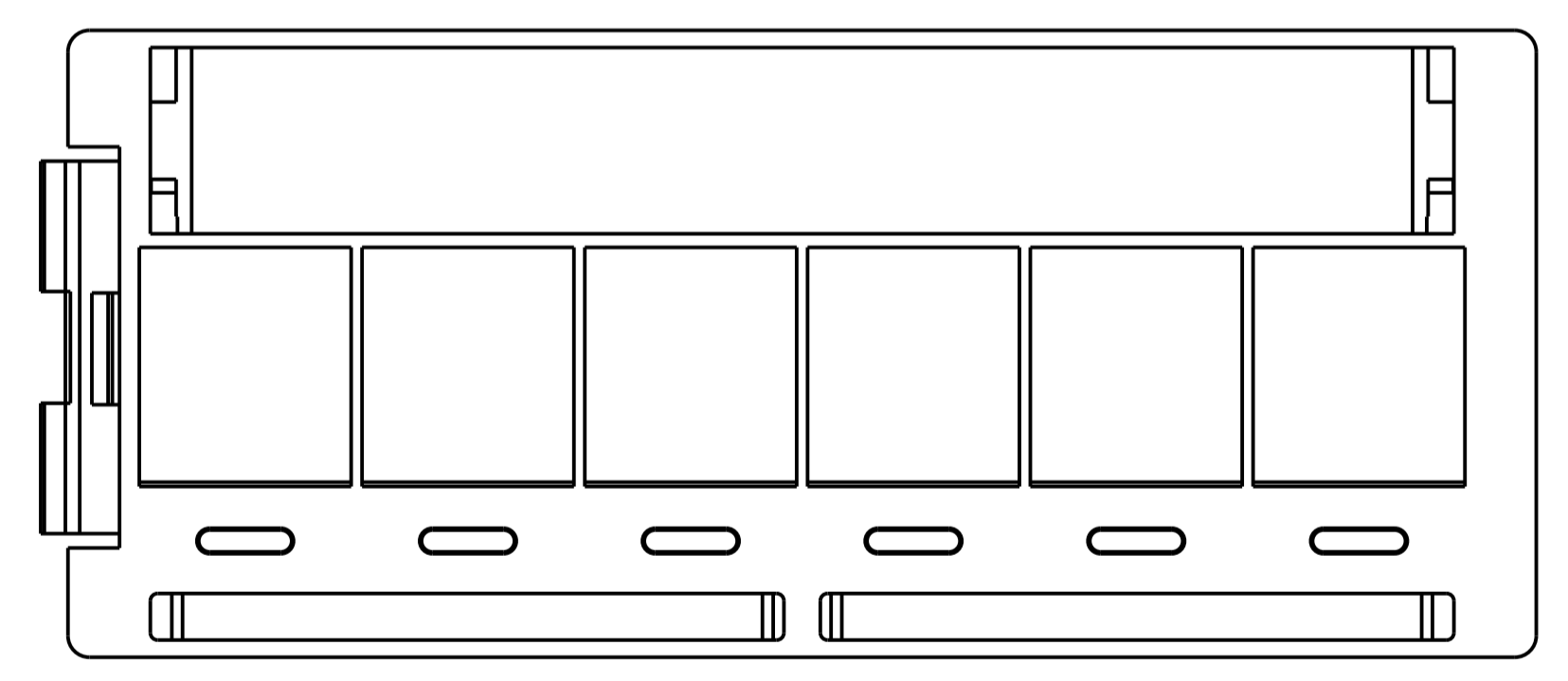
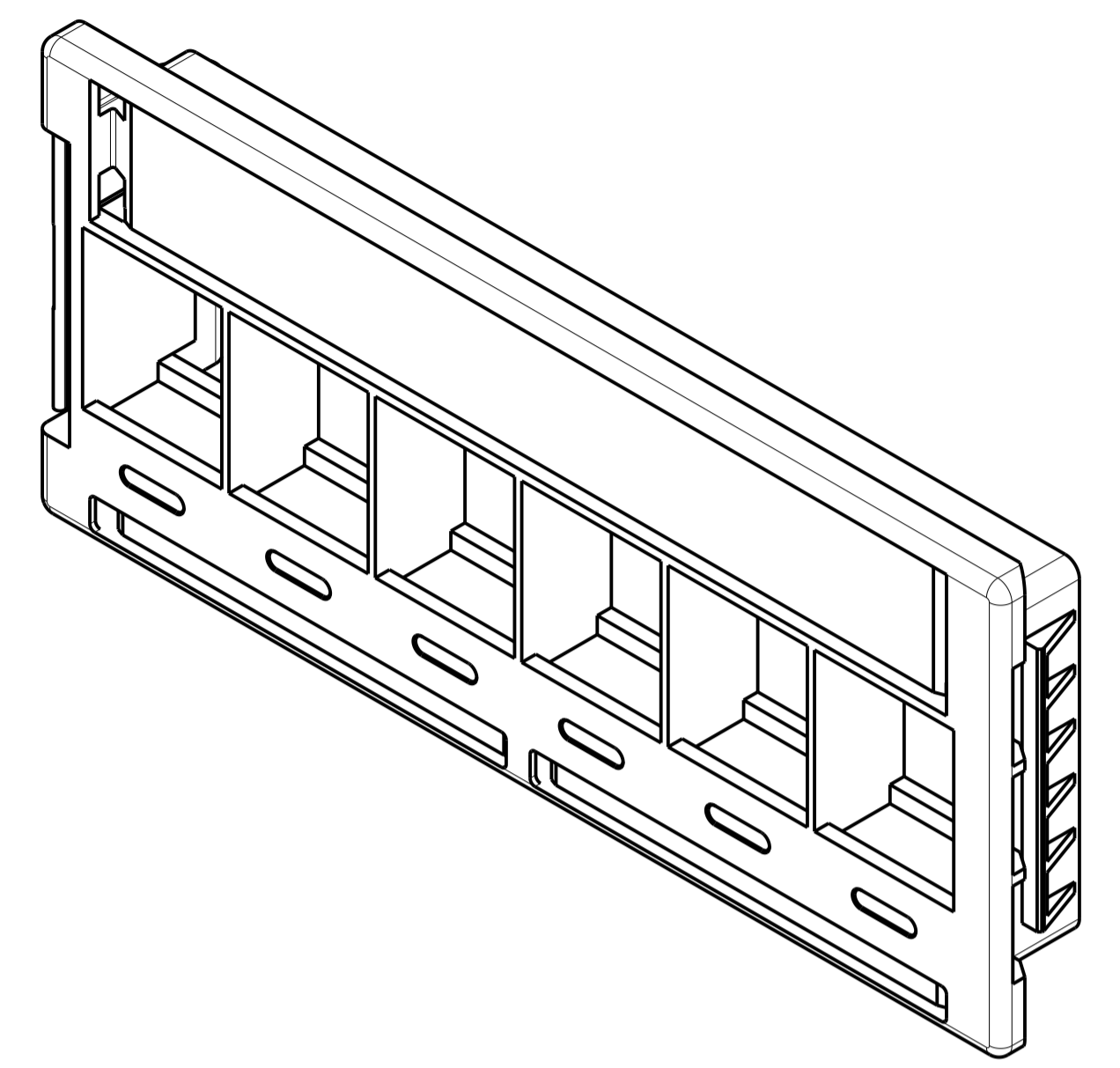


THIS DRAWING IS UNPUBLISHED. RELEASED FOR PUBLICATION
© 2016 COMMSCOPE, INC. CONFIDENTIAL NOTICE: THESE DRAWINGS AND SPECIFICATIONS ARE THE PROPRIETARY PROPERTY OF COMMSCOPE, INC. AND MAY BE USED ONLY FOR THE SPECIFIC PURPOSE AUTHORIZED IN WRITING BY COMMSCOPE, INC.

REVISIONS					
P.	LTN	DESCRIPTION	DATE	DWN	APVD
A		RLSD ECO-09-017224	27JUL2009	LH	SH
B		REV PER BNS_CD_BRAND	01FEB2017	GG	DC

1. PACKAGE INCLUDES 1 INTERFACE HOUSING, 1 ID LABEL SHEET, 1 PAPER LABEL SHEET, AND 1 CLEAR LABEL COVER IN POLYBAG.
2. ITEMS 2, 3, 4 NOT SHOWN ON DRAWING.



I	ID PORT LABELS	4
I	PAPER LABEL SHEETS	3
I	CLEAR LABEL COVERS	2
I	INTERFACE HOUSING, UTP	1
- 1	DESCRIPTION	ITEM NO.

THIS DRAWING IS A CONTROLLED DOCUMENT.		DWN	L. HALL	24JUL2009	COMMSCOPE, INC. INTERFACE HOUSING RESIDENTIAL KIT, UTP
DIMENSIONS:		CHK	S. HERNDON	27JUL2009	
TOLERANCES UNLESS OTHERWISE SPECIFIED:		APVD	S. HERNDON	27JUL2009	
MM		PRODUCT SPEC			
0 PLC ± 1 PLC ± 2 PLC ± 3 PLC ± 4 PLC ± ANGLES ±		APPLICATION SPEC		SIZE	A 1
MATERIAL		FINISH		WEIGHT	RESTRICTED TO
CUSTOMER DRAWING		SCALE		2:1	SHEET 1 OF 1
		REV		B	

X-ON Electronics

Largest Supplier of Electrical and Electronic Components

Click to view similar products for [Modular Connectors / Ethernet Connectors](#) category:

Click to view products by [TE Connectivity](#) manufacturer:

Other Similar products are found below :

[8949-H88/06BLKA/SN](#) [74441-0010/BKN](#) [MP1010RX-1000](#) [MP44RX-1000](#) [PHJ-4P4C-1-V-4](#) [PHP-6P6C-5](#) [GAX-3-66](#) [GAX-8-62](#) [GDCX-PA-66-50](#) [GDCX-PN-64](#) [GDCX-PN-66](#) [GDCX-PN-66-50](#) [GDLX-A-66](#) [GDLX-N-66](#) [GDLX-S-66](#) [GDLX-S-88K](#) [GDTX-S-88-50](#) [GDX-PA-1010](#) [GLX-N-1010M-BLK](#) [GLX-S-88M-BLK](#) [GMX-N-1010](#) [GMX-S-1010](#) [GMX-S-66](#) [GMX-SMT4-N-88](#) [GPX-2-64](#) [GSGX-N-2-88](#) [GSGX-N-4-88](#) [GSX-NS2-88-3.05](#) [GSX-NS2-88-3.05-50](#) [GSX-NS-88-3.05-50](#) [PT-108A-8C-UL](#) [PT-J951-8C](#) [PTS-J531-8CS-50UL](#) [1-1775629-2](#) [A-2014-0-4](#) [GWLX-S-88-GR](#) [GWLX-S9-88-YG](#) [DC-1021-8-WH-6](#) [1300530003](#) [1324640-4](#) [RJ11FTVC2G](#) [RJ11FTVC2N](#) [RJFTVX2SA1G](#) [132764-001](#) [1413235](#) [MP88X-1000](#) [MPS88RX-5000](#) [E5288-S000K3-L](#) [E5908-15A242-L](#) [155302-001](#)