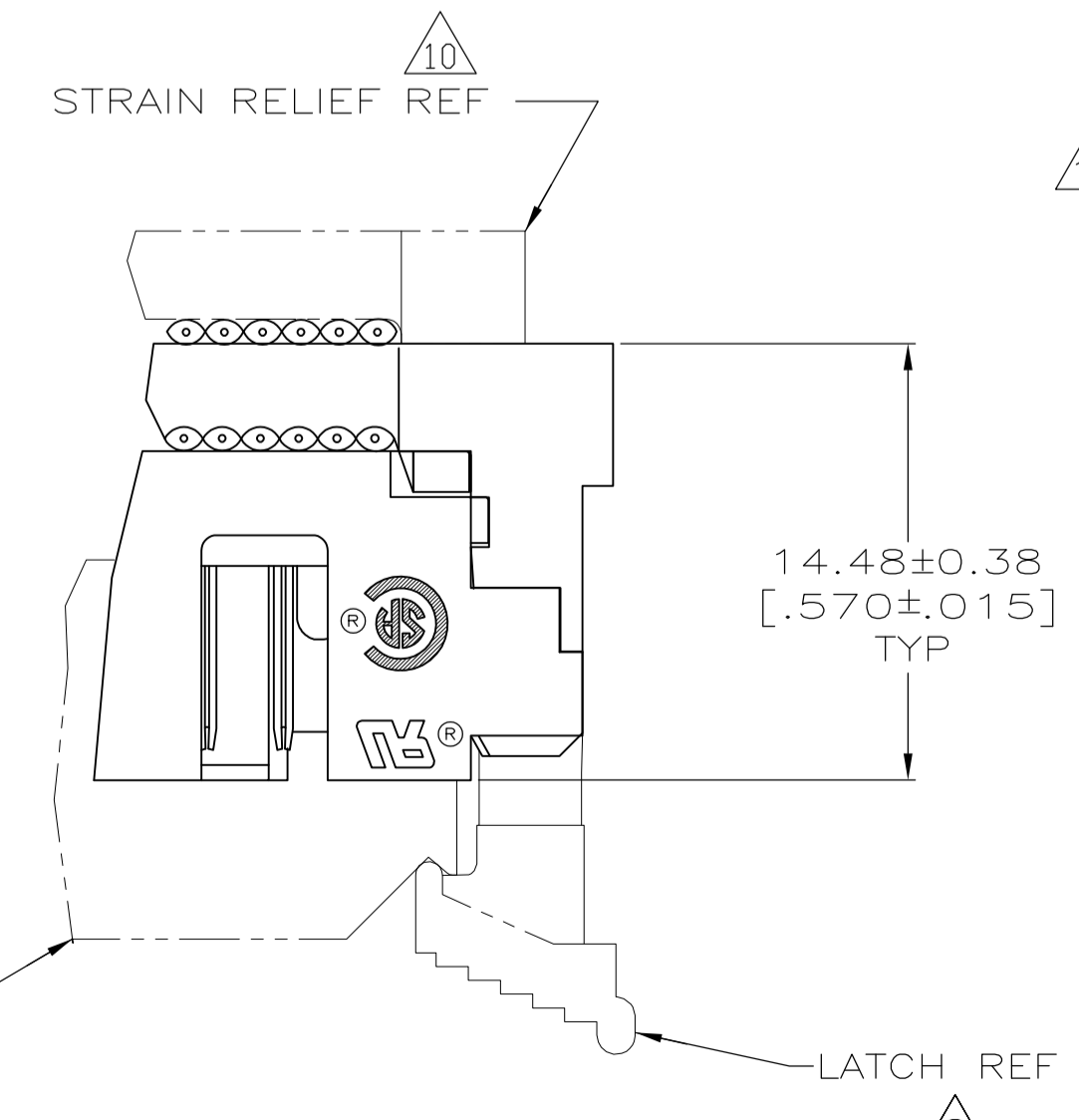
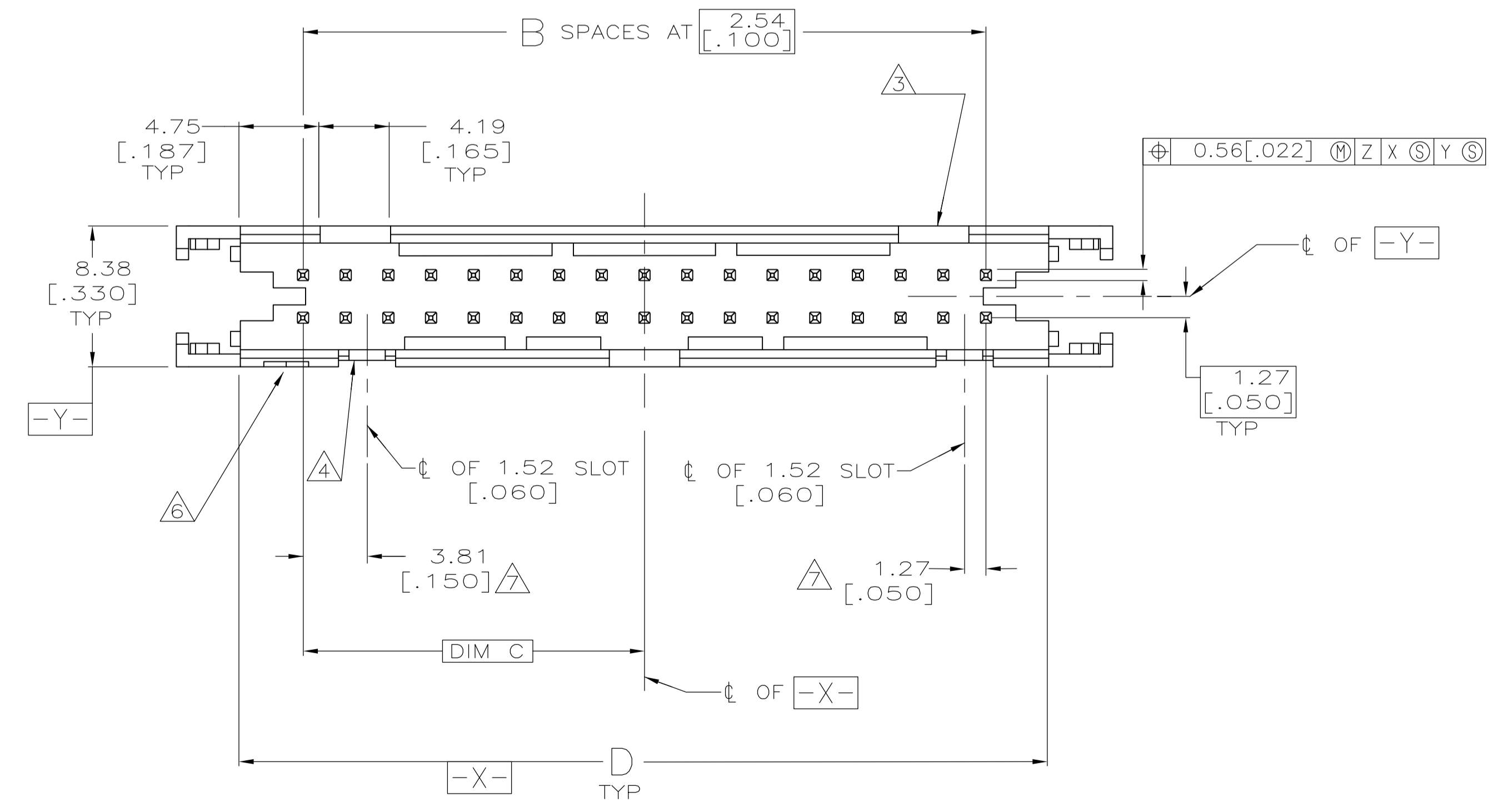
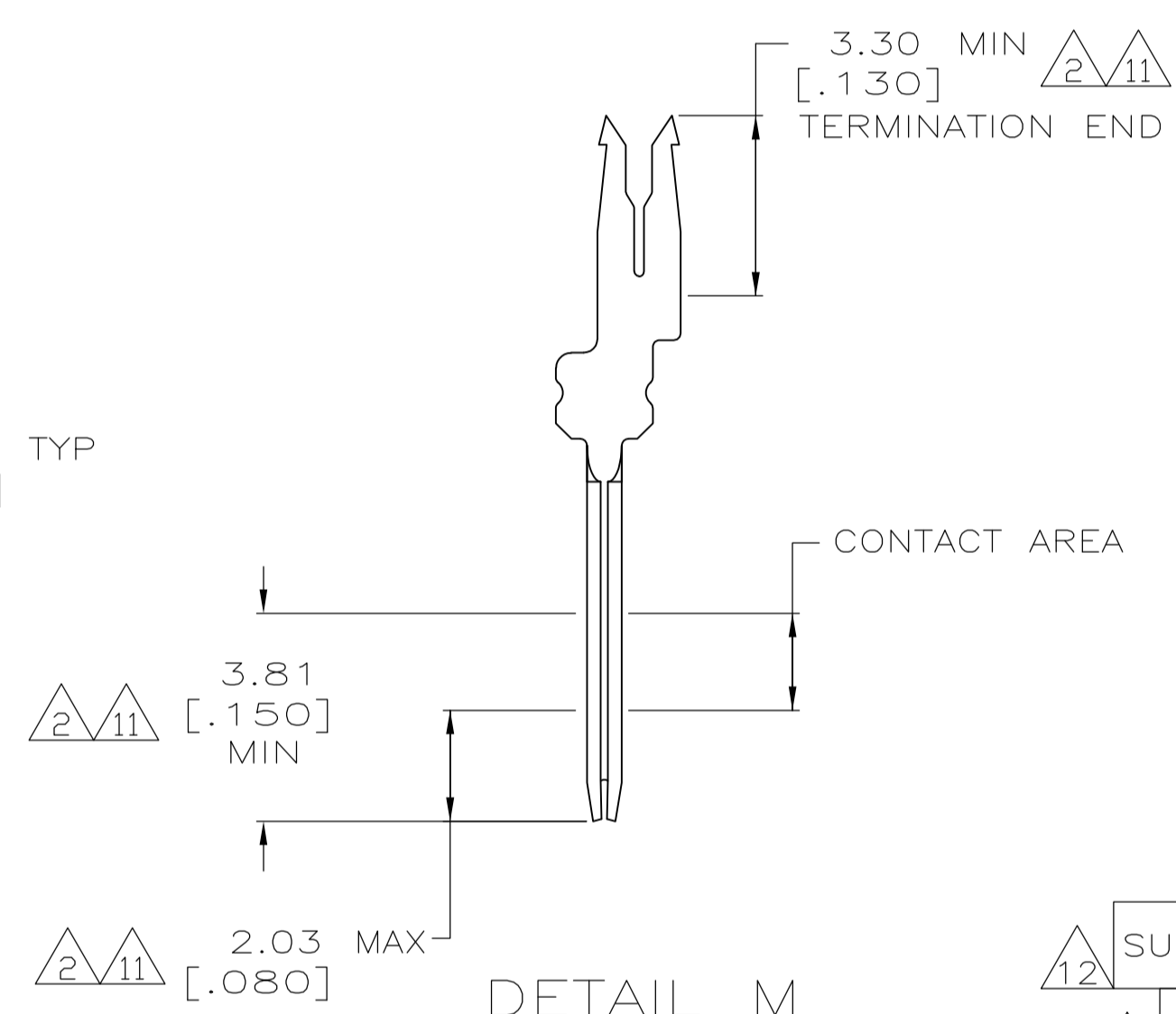
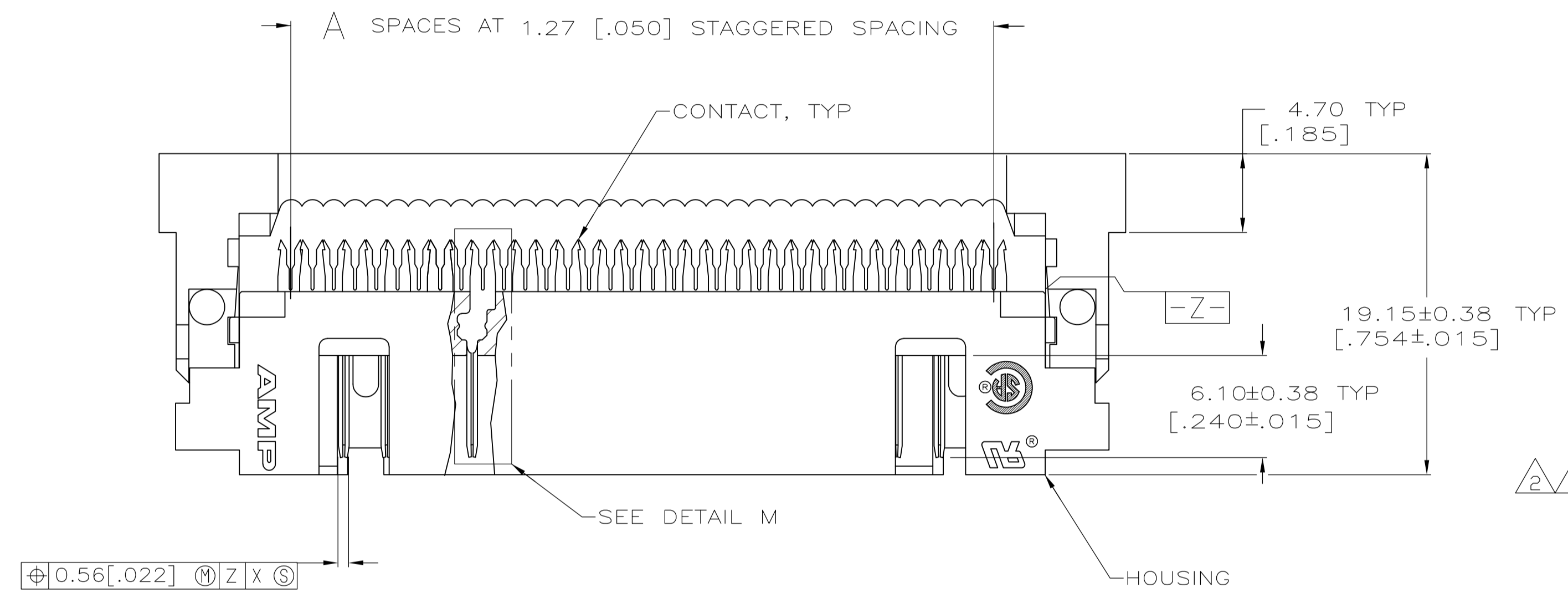
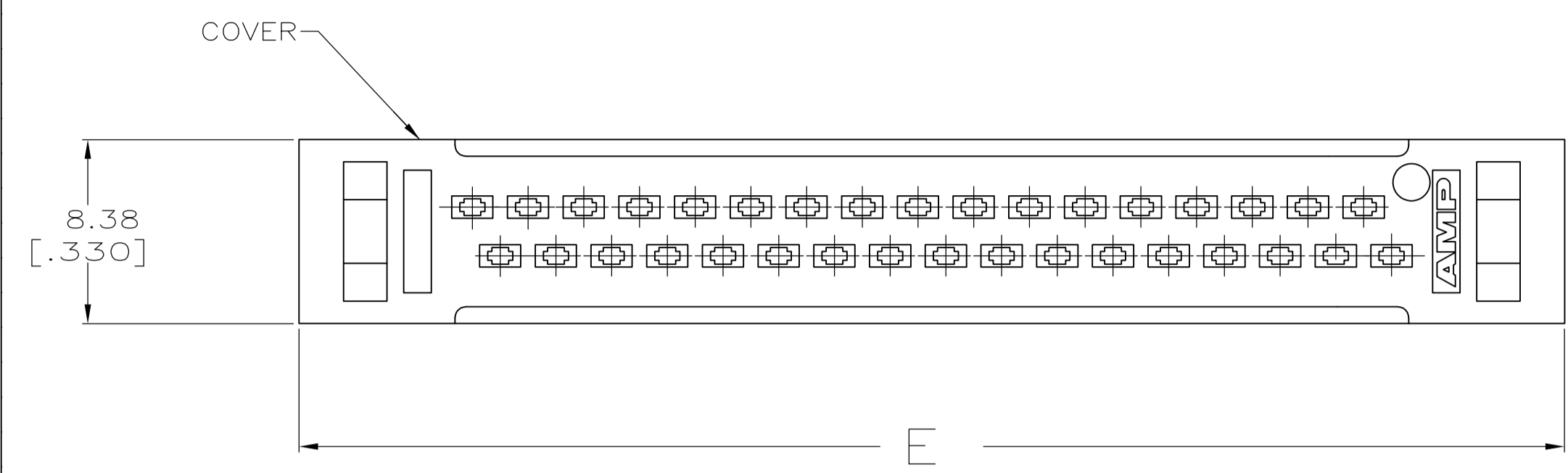


- 1 FLAME RETARDANT 94V-0 RATED THERMOPLASTIC; BLACK.
- 2 2.54µm [.000100] MIN MATTE TIN-LEAD ON TERMINATION END, 0.76µm [.000030] MIN GOLD ON CONTACT AREA, ALL OVER 1.27µm [.000050] MIN NICKEL.
-OR-
GOLD FLASH OVER PALLADIUM-NICKEL 0.76µm [.000030] TOTAL ON CONTACT AREA, 2.54µm [.000100] MIN BRIGHT TIN-LEAD ON TERMINATION END, ALL OVER 1.27µm [.000050] MIN NICKEL.
- 3 NO SLOT ON THIS END FOR TEN POSITION HOUSINGS.
- 4 NO SLOT FOR SNAP-IN POLARIZER ON THIS END FOR 10 AND 14 POSITION HOUSINGS.
- 5 FOR MILITARY POLARIZATION, ORDER SNAP-IN POLARIZER 499991-2 (BULK PACK OF 50).
- 6 POSITION NO 1 INDICATOR.
- 7 COORDINATE DIMENSION APPLIES FROM CENTER OF ACTUAL FEATURE.
- 8 FOR LATCHES ORDER 111451, 2 PER ASSEMBLY.
- 9 PHOSPHOR BRONZE PER QQ-B-750.

- 10 STRAIN RELIEF 111547 MUST BE ORDERED SEPARATELY.
- 11 2.54µm [.000100] MIN MATTE TIN ON TERMINATION END, 0.76µm [.000030] MIN GOLD ON CONTACT AREA, ALL OVER 1.27µm [.000050] MIN NICKEL.
-OR-
GOLD FLASH OVER PALLADIUM-NICKEL 0.76µm [.000030] TOTAL ON CONTACT AREA, 2.54µm [.000100] MIN MATTE TIN ON TERMINATION END, ALL OVER 1.27µm [.000050] MIN NICKEL.
- 12 OBSOLETE PARTS: OBSOLETE CIS STREAMLINING PER D. RENAUD/D. SINISI.



11	95.81	86.21	39.37	31	63	64	2-111446-6	
11	[3.772]	[3.394]	[1.550]					
11	89.59	81.13	36.83	29	59	60	2-111446-5	
11	[3.527]	[3.194]	[1.450]					
11	70.41	60.81	26.67	21	43	44	2-111446-4	
11	[2.772]	[2.394]	[1.050]					
11	65.33	55.73	24.13	19	39	40	2-111446-3	
11	[2.572]	[2.194]	[.950]					
11	57.71	48.11	20.32	16	33	34	2-111446-2	
11	[2.272]	[1.894]	[.800]					
11	52.63	43.03	17.78	14	29	30	2-111446-1	
11	[2.072]	[1.694]	[.700]					
11	47.55	37.95	15.24	12	25	26	2-111446-0	
11	[1.872]	[1.494]	[.600]					
11	45.01	35.41	13.97	11	23	24	1-111446-9	
11	[1.772]	[1.394]	[.550]					
11	39.93	30.33	11.43	9	19	20	1-111446-8	
11	[1.572]	[1.194]	[.450]					
11	78.03	68.43	30.48	24	49	50	1-111446-7	
11	[3.072]	[2.694]	[1.200]					
11	34.85	25.25	8.89	7	15	16	1-111446-6	
11	[1.372]	[.994]	[.350]					
11	32.31	22.71	7.62	6	13	14	1-111446-5	
11	[1.272]	[.894]	[.300]					
11	27.230	17.63	5.08	4	9	10	1-111446-4	
11	[1.072]	[.694]	[.200]					
12	SUPERCEDED	95.81	86.21	39.37	31	63	64	1-111446-3
12	OBSOLETE	89.59	81.13	36.83	29	59	60	1-111446-2
12	OBSOLETE	78.03	68.43	30.48	24	49	50	1-111446-1
12	OBSOLETE	70.41	60.81	26.67	21	43	44	1-111446-0
12	OBSOLETE	65.33	55.73	24.13	19	39	40	111446-9
12	OBSOLETE	57.71	48.11	20.32	16	33	34	111446-8
12	SUPERCEDED	52.63	43.03	17.78	14	29	30	111446-7
12	OBSOLETE	47.55	37.95	15.24	12	25	26	111446-6
12	OBSOLETE	45.01	35.41	13.97	11	23	24	111446-5
12	OBSOLETE	39.93	30.33	11.43	9	19	20	111446-4
12	OBSOLETE	34.85	25.25	8.89	7	15	16	111446-3
12	OBSOLETE	32.31	22.71	7.62	6	13	14	111446-2
12	OBSOLETE	27.230	17.63	5.08	4	9	10	111446-1

CONTACT FINISH	E	D	C	B	A	NO OF POSN	PART NUMBER

THIS DRAWING IS A CONTROLLED DOCUMENT.		DIN H MOLL 7-11-90	 TE Connectivity
DIMENSIONS: mm [INCHES]		8-1-90	
TOLERANCES UNLESS OTHERWISE SPECIFIED:		F.M. HEINRY	NAME: D. HOFFMAN PRODUCT SPEC: 108-1336 APPLICATION SPEC: 114-7011
0 PLC ± -		8-3-90	
1 PLC ± ± 0.13[.005]			UNIV I/O PIN CONN, WITHOUT MOUNTING EARS, AMP-LATCH™
2 PLC ± ± -			SIZE: A1
3 PLC ± ± -			CAGE CODE: 00779
4 PLC ± ± -			DRAWING NO: 111446
ANGLES ± ± -			RESTRICTED TO: -
MATERIAL: 1 9			WEIGHT: -
FINISH: CONTACTS: SEE TABLE			SCALE: 4:1
			SHEET 1 OF 1
			REV R

X-ON Electronics

Largest Supplier of Electrical and Electronic Components

Click to view similar products for [Headers & Wire Housings](#) category:

Click to view products by [TE Connectivity](#) manufacturer:

Other Similar products are found below :

[892-18-020-10-001101](#) [58102-G61-06LF](#) [582553-1](#) [0009485154](#) [009176003701906](#) [0050291907](#) [LY20-4P-DT1-P1E-BR](#) [02.125.8002.8](#)
[609-3404](#) [61062-3](#) [61082-181009](#) [622-3653LF](#) [63453-116](#) [636-1030](#) [636-1427](#) [636-3427](#) [636-4007](#) [641938-9](#) [641991-4](#) [644827-2](#) [65817-](#)
[010LF](#) [65817-015LF](#) [65863-015LF](#) [66207-023LF](#) [67095-007LF](#) [67601157](#) [68645-018](#) [68648-049](#) [70.362.1628.0](#) [70-4210](#) [70-4226B](#) [70-](#)
[4853B](#) [707-5020](#) [707-5028](#) [71.350.2428.0](#) [71918-208LF](#) [71961-016LF](#) [733-134](#) [733-162](#) [754199-000](#) [760-3052](#) [787-8014-00](#) [79531-3000](#)
[FCN-360C032-B](#) [FCN-367T-T012/H](#) [FCN-723D010/2](#) [80.063.4001.1](#) [800-90-001-10-001000](#) [800-90-010-10-002000](#) [801-43-002-10-013000](#)