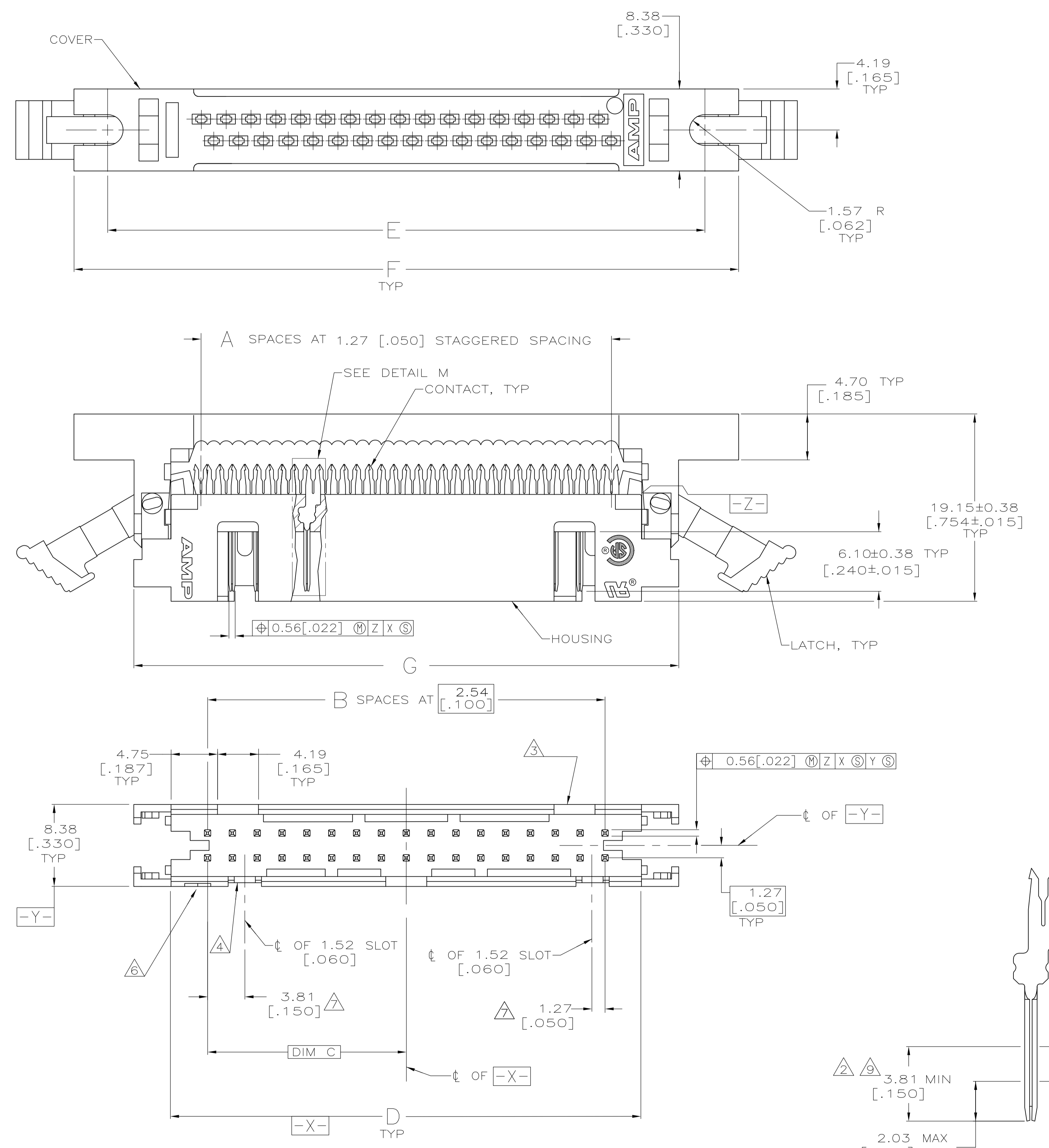


| LOC |     |  | DIST                      |           |     | REVISONS |  |  |  |
|-----|-----|--|---------------------------|-----------|-----|----------|--|--|--|
| F   | LTR |  | DESCRIPTION               | DATE      | OWN | APPR     |  |  |  |
| J   |     |  | REVISED PER ECO-11-010351 | 10AUG2011 | CJV | CWR      |  |  |  |




DETAIL M  
SCALE 8:1  
TYPICAL

|  |  |                    |         |   |
|--|--|--------------------|---------|---|
| THIS DRAWING IS A CONTROLLED DOCUMENT. |  | DIN<br>J.GERACE    | 20JUL04 | <br>TE Connectivity   |
| DIMENSIONS:                            |  | SIK<br>C.ROHDFE    | 20JUL04 |   |
| mm [INCHES]                            |  | APPR<br>M.WALMSLEY |         | NAME  |
| TOLERANCES UNLESS OTHERWISE SPECIFIED: |  | PRODUCT SPEC       |         | UNIVERSAL I/O PIN CONNECTOR,<br>SLOTTED MOUNTING EARS, STANDARD<br>COVER LATCHES, AMP-LATCH |
| 0 PLC ± -                              |  | APPLICATION SPEC   |         | SIZE  |
| 1 PLC ± -                              |  | WEIGHT             |         | CAGE CODE   |
| 2 PLC ± 0.13 [.005]                    |  | A1 00779           |         | DRAWING NO  |
| 3 PLC ± -                              |  | 111494             |         | RESTRICTED TO   |
| 4 PLC ± -                              |  | CUSTOMER DRAWING   |         |   |
| ANGLES ± -                             |  | SCALE 4:1          |         | SHEET 1 OF 2  |
| MATERIAL SEE SHEET 1                   |  | FINISH SEE SHEET 1 |         | REV J   |

- 1 FLAME RETARDANT 94V-0 RATED THERMOPLASTIC; BLACK.
- 2 2.54µm [.000100] MIN BRIGHT TIN-LEAD ON TERMINATION END, 0.76µm [.000030] MIN GOLD ON CONTACT AREA, ALL OVER 1.27µm [.000050] MIN NICKEL.
- 3 NO SLOT ON THIS END FOR 10 POSITION HOUSINGS.
- 4 NO SLOT FOR SNAP-IN POLARIZER ON THIS END FOR 10 AND 14 POSITION HOUSINGS.
- 5. FOR MILITARY POLARIZATION, ORDER SNAP-IN POLARIZER 499991-2 (BULK PACK OF 50).
- 6 POSITION NO 1 INDICATOR.
- 7 COORDINATE DIMENSION APPLIES FROM CENTER OF ACTUAL FEATURE.
- 8 PHOSPHOR BRONZE PER QQ-B-750.
- 9 2.54µm [.000100] MIN MATTE TIN ON TERMINATION END, 0.76µm [.000030] MIN GOLD ON CONTACT AREA, ALL OVER 1.27µm [.000050] MIN NICKEL.  
 -OR-  
 GOLD FLASH OVER PALLADIUM-NICKEL 0.76µm [.000030] TOTAL ON CONTACT AREA, 2.54µm [.000100] MIN MATTE TIN ON TERMINATION END, ALL OVER 1.27µm [.000050] MIN NICKEL.
- 10 OBSOLETE.
- 11 OBSOLETE PARTS: OBSOLETE CIS STREAMLINING PER D.RENAUD/D.SINISI.

|                |                  |                  |                  |                   |                  |                  |                  |    |    |            |             |
|----------------|------------------|------------------|------------------|-------------------|------------------|------------------|------------------|----|----|------------|-------------|
| 9              | 99.16<br>[3.904] | 95.05<br>[3.742] | 93.78<br>[3.692] | 106.07<br>[4.176] | 99.16<br>[3.904] | 86.21<br>[3.394] | 39.37<br>[1.550] | 31 | 63 | 64         | 2-111494-6  |
| 9              | 94.08<br>[3.704] | 89.97<br>[3.542] | 88.70<br>[3.492] | 100.99<br>[3.976] | 94.08<br>[3.704] | 81.13<br>[3.194] | 36.83<br>[1.450] | 29 | 59 | 60         | 2-111494-5  |
| 9              | 81.38<br>[3.204] | 77.27<br>[3.042] | 68.38<br>[2.992] | 88.29<br>[3.476]  | 81.38<br>[3.204] | 68.43<br>[2.694] | 30.48<br>[1.200] | 24 | 49 | 50         | 2-111494-4  |
| 9              | 73.76<br>[2.904] | 69.65<br>[2.742] | 68.38<br>[2.692] | 80.67<br>[3.176]  | 73.76<br>[2.904] | 60.81<br>[2.394] | 26.67<br>[1.050] | 21 | 43 | 44         | 2-111494-3  |
| 9              | 68.68<br>[2.704] | 64.57<br>[2.542] | 63.30<br>[2.492] | 75.59<br>[2.976]  | 68.68<br>[2.704] | 55.73<br>[2.194] | 24.13<br>[.950]  | 19 | 39 | 40         | 2-111494-2  |
| 9              | 61.06<br>[2.404] | 56.95<br>[2.242] | 55.68<br>[2.192] | 67.97<br>[2.676]  | 61.06<br>[2.404] | 48.11<br>[1.894] | 20.32<br>[.800]  | 16 | 33 | 34         | 2-111494-1  |
| 9              | 55.98<br>[2.204] | 51.87<br>[2.042] | 50.60<br>[1.992] | 62.89<br>[2.476]  | 55.98<br>[2.204] | 43.03<br>[1.694] | 17.78<br>[.700]  | 14 | 29 | 30         | 2-111494-0  |
| 9              | 48.36<br>[1.904] | 44.25<br>[1.742] | 42.98<br>[1.692] | 55.27<br>[2.176]  | 48.36<br>[1.904] | 35.41<br>[1.394] | 13.97<br>[.550]  | 11 | 23 | 24         | 1-111494-9  |
| 9              | 43.28<br>[1.704] | 39.17<br>[1.542] | 37.90<br>[1.492] | 50.19<br>[1.976]  | 43.28<br>[1.704] | 30.33<br>[1.194] | 11.43<br>[.450]  | 9  | 19 | 20         | 1-111494-8  |
| 10             | 38.20<br>[1.504] | 34.09<br>[1.342] | 32.82<br>[1.292] | 45.11<br>[1.776]  | 38.20<br>[1.504] | 25.25<br>[.994]  | 8.89<br>[.350]   | 7  | 15 | 16         | 1-111494-7  |
| 10             | 35.66<br>[1.404] | 31.55<br>[1.242] | 30.28<br>[1.192] | 42.57<br>[1.676]  | 35.66<br>[1.404] | 22.71<br>[.894]  | 7.62<br>[.300]   | 6  | 13 | 14         | 1-111494-6  |
| 10             | 30.58<br>[1.204] | 26.47<br>[1.042] | 25.20<br>[.992]  | 37.49<br>[1.476]  | 30.58<br>[1.204] | 17.63<br>[.694]  | 5.08<br>[.200]   | 4  | 9  | 10         | 1-111494-5  |
| 10             | 50.90<br>[2.004] | 46.79<br>[1.842] | 45.52<br>[1.792] | 57.81<br>[2.276]  | 50.90<br>[2.004] | 37.95<br>[1.494] | 15.24<br>[.600]  | 12 | 25 | 26         | 1-111494-4  |
| SUPERCEDED     | 99.16<br>[3.904] | 95.05<br>[3.742] | 93.78<br>[3.692] | 106.07<br>[4.176] | 99.16<br>[3.904] | 86.21<br>[3.394] | 39.37<br>[1.550] | 31 | 63 | 64         | 1-111494-3  |
| SUPERCEDED     | 94.08<br>[3.704] | 89.97<br>[3.542] | 88.70<br>[3.492] | 100.99<br>[3.976] | 94.08<br>[3.704] | 81.13<br>[3.194] | 36.83<br>[1.450] | 29 | 59 | 60         | 1-111494-2  |
| 11             | 81.38<br>[3.204] | 77.27<br>[3.042] | 68.38<br>[2.992] | 88.29<br>[3.476]  | 81.38<br>[3.204] | 68.43<br>[2.694] | 30.48<br>[1.200] | 24 | 49 | 50         | 1-111494-1  |
| 10             | 73.76<br>[2.904] | 69.65<br>[2.742] | 68.38<br>[2.692] | 80.67<br>[3.176]  | 73.76<br>[2.904] | 60.81<br>[2.394] | 26.67<br>[1.050] | 21 | 43 | 44         | 1-111494-0  |
| 10             | 68.68<br>[2.704] | 64.57<br>[2.542] | 63.30<br>[2.492] | 75.59<br>[2.976]  | 68.68<br>[2.704] | 55.73<br>[2.194] | 24.13<br>[.950]  | 19 | 39 | 40         | 111494-9    |
| SUPERCEDED     | 61.06<br>[2.404] | 56.95<br>[2.242] | 55.68<br>[2.192] | 67.97<br>[2.676]  | 61.06<br>[2.404] | 48.11<br>[1.894] | 20.32<br>[.800]  | 16 | 33 | 34         | 111494-8    |
| 11             | 55.98<br>[2.204] | 51.87<br>[2.042] | 50.60<br>[1.992] | 62.89<br>[2.476]  | 55.98<br>[2.204] | 43.03<br>[1.694] | 17.78<br>[.700]  | 14 | 29 | 30         | 111494-7    |
| 10             | 50.90<br>[2.004] | 46.79<br>[1.842] | 45.52<br>[1.792] | 57.81<br>[2.276]  | 50.90<br>[2.004] | 37.95<br>[1.494] | 15.24<br>[.600]  | 12 | 25 | 26         | 111494-6    |
| SUPERCEDED     | 48.36<br>[1.904] | 44.25<br>[1.742] | 42.98<br>[1.692] | 55.27<br>[2.176]  | 48.36<br>[1.904] | 35.41<br>[1.394] | 13.97<br>[.550]  | 11 | 23 | 24         | 111494-5    |
| 11             | 43.28<br>[1.704] | 39.17<br>[1.542] | 37.90<br>[1.492] | 50.19<br>[1.976]  | 43.28<br>[1.704] | 30.33<br>[1.194] | 11.43<br>[.450]  | 9  | 19 | 20         | 111494-4    |
| 10             | 38.20<br>[1.504] | 34.09<br>[1.342] | 32.82<br>[1.292] | 45.11<br>[1.776]  | 38.20<br>[1.504] | 25.25<br>[.994]  | 8.89<br>[.350]   | 7  | 15 | 16         | 111494-3    |
| 10             | 35.66<br>[1.404] | 31.55<br>[1.242] | 30.28<br>[1.192] | 42.57<br>[1.676]  | 35.66<br>[1.404] | 22.71<br>[.894]  | 7.62<br>[.300]   | 6  | 13 | 14         | 111494-2    |
| 10             | 30.58<br>[1.204] | 26.47<br>[1.042] | 25.20<br>[.992]  | 37.49<br>[1.476]  | 30.58<br>[1.204] | 17.63<br>[.694]  | 5.08<br>[.200]   | 4  | 9  | 10         | 111494-1    |
| CONTACT FINISH | J                | H                | G                | F                 | E                | D                | C                | B  | A  | NO OF POSN | PART NUMBER |

|  |  |                            |   |
|--|--|----------------------------|---|
| THIS DRAWING IS A CONTROLLED DOCUMENT.   |  | DIN C. OBERMAN 8-10-90     |  TE Connectivity |
| DIMENSIONS: mm [INCHES]  |  | CHK: F. M. HEINRY 11-28-90 |   |
| TOLERANCES UNLESS OTHERWISE SPECIFIED:   |  | APVD: -                    | NAME: UNIVERSAL I/O PIN CONNECTOR, WITH SLOTTED MOUNTING EARS, WITH STD COVER LATCHES, AMP-LATCH      |
| 0 PLC ± -<br>1 PLC ± -<br>2 PLC ± 0.13[.005]<br>3 PLC ± -<br>4 PLC ± -<br>ANGLES ± - |  | PRODUCT SPEC 108-1336      | SIZE: A1  |
| MATERIAL: SEE TABLE  |  | APPLICATION SPEC 114-7011  | WEIGHT: -   |
| FINISH: SEE TABLE  |  | RESTRICTED TO: 00779       | SCALE: 4:1  |
|  |  | CUSTOMER DRAWING           | SHEET 2 OF 2  |

## X-ON Electronics

Largest Supplier of Electrical and Electronic Components

*Click to view similar products for [Headers & Wire Housings](#) category:*

*Click to view products by [TE Connectivity](#) manufacturer:*

Other Similar products are found below :

[892-18-020-10-001101](#) [58102-G61-06LF](#) [582553-1](#) [0009485154](#) [009176003701906](#) [0050291907](#) [LY20-4P-DT1-P1E-BR](#) [02.125.8002.8](#)  
[609-3404](#) [61062-3](#) [61082-181009](#) [622-3653LF](#) [63453-116](#) [636-1030](#) [636-1427](#) [636-3427](#) [636-4007](#) [641938-9](#) [641991-4](#) [644827-2](#) [65817-010LF](#) [65817-015LF](#) [65863-015LF](#) [66207-023LF](#) [67095-007LF](#) [67601157](#) [68645-018](#) [68648-049](#) [70.362.1628.0](#) [70-4210](#) [70-4226B](#) [70-4853B](#) [707-5020](#) [707-5028](#) [71.350.2428.0](#) [71918-208LF](#) [71961-016LF](#) [733-134](#) [733-162](#) [754199-000](#) [760-3052](#) [787-8014-00](#) [79531-3000](#)  
[FCN-360C032-B](#) [FCN-367T-T012/H](#) [FCN-723D010/2](#) [80.063.4001.1](#) [800-90-001-10-001000](#) [800-90-010-10-002000](#) [801-43-002-10-013000](#)