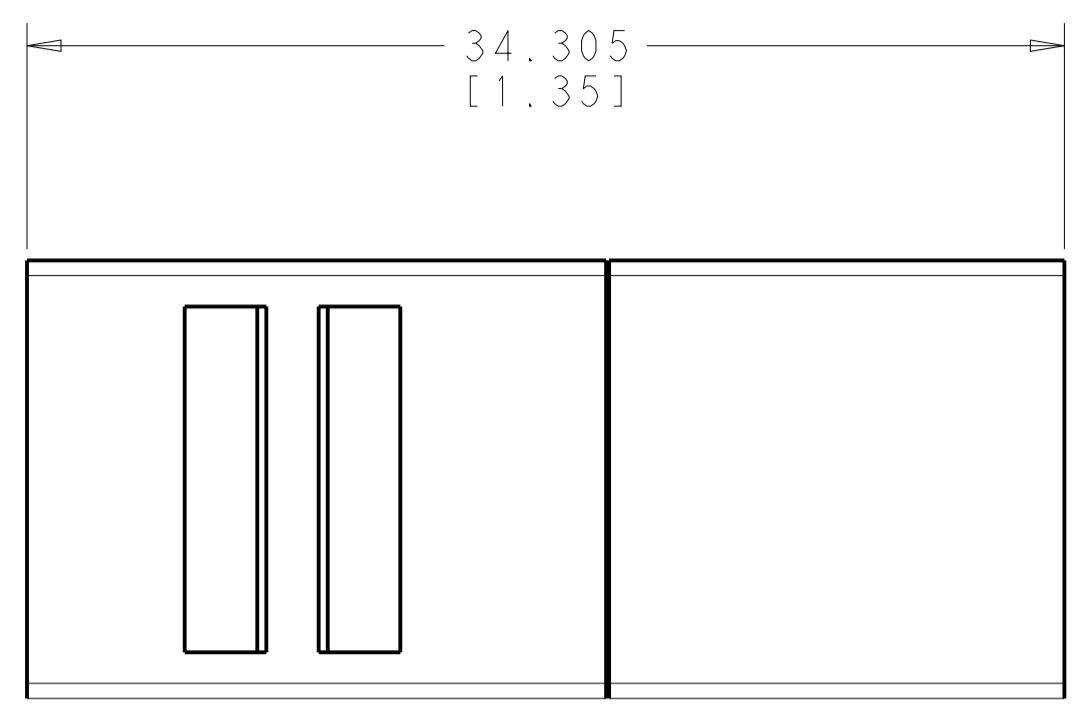


REVISIONS				
REV	LTN	DESCRIPTION	DATE	APVD
A		RLSD; ECO-10-012210	11JUN2010	GG RA
B		REV PER BNS_CD_BRAND	01FEB2017	GG DC



1 MATERIAL: ABS MOLDING COMPOUND.
UL94V-0 THERMOPLASTIC.

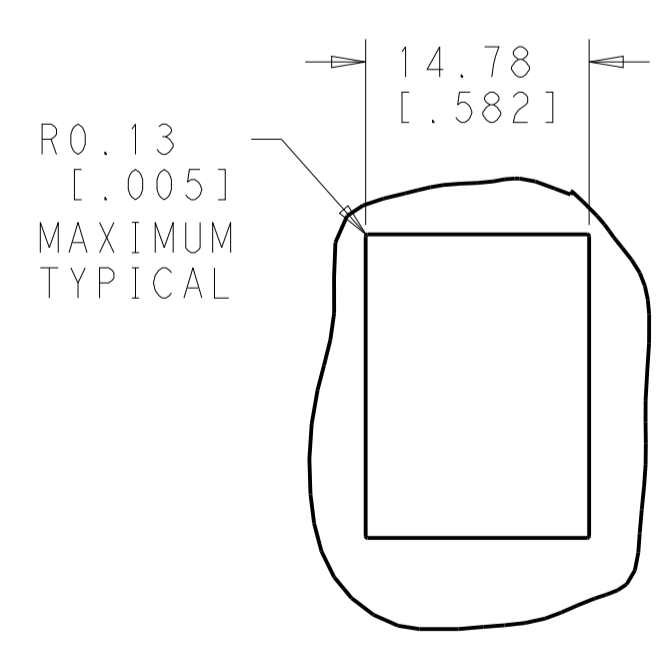
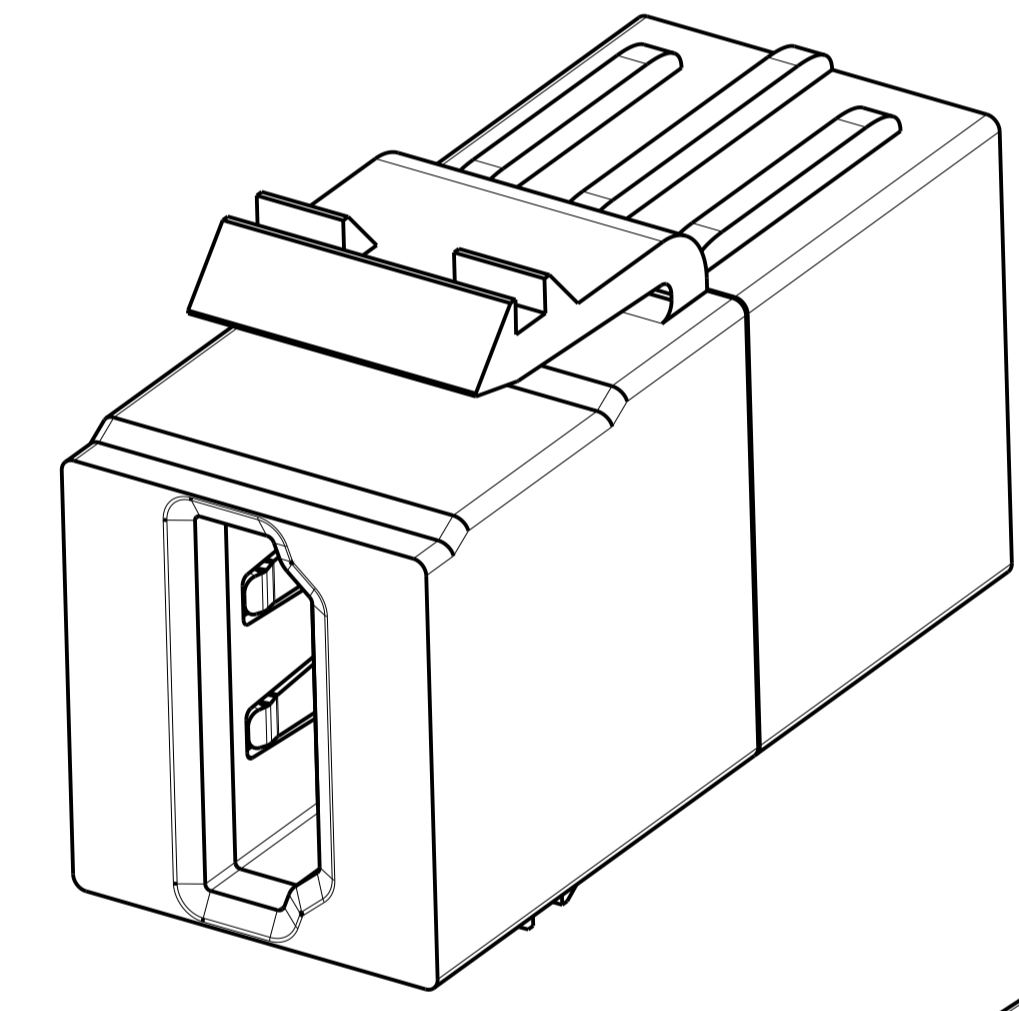
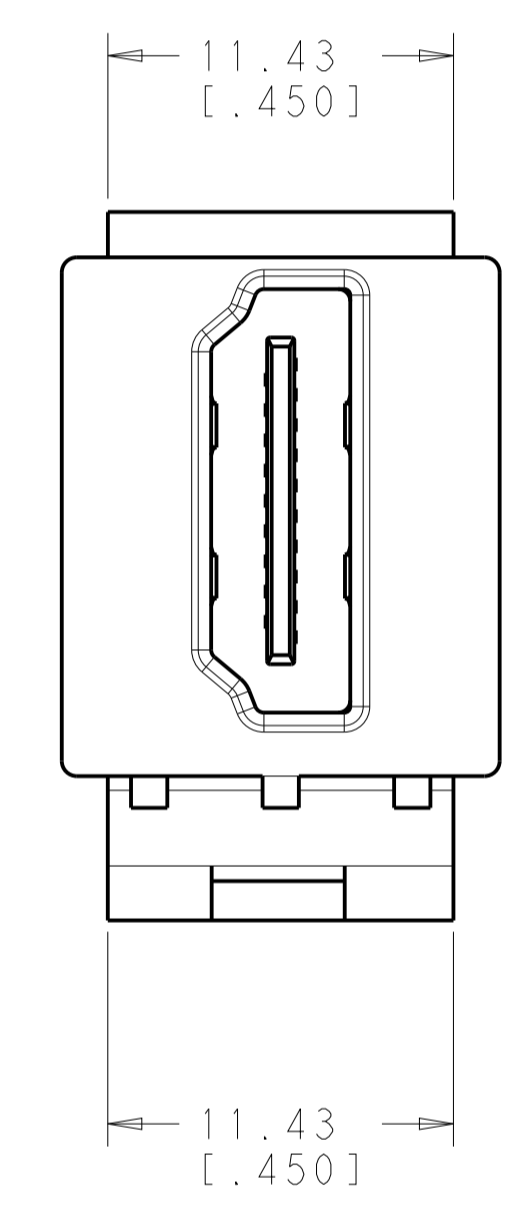
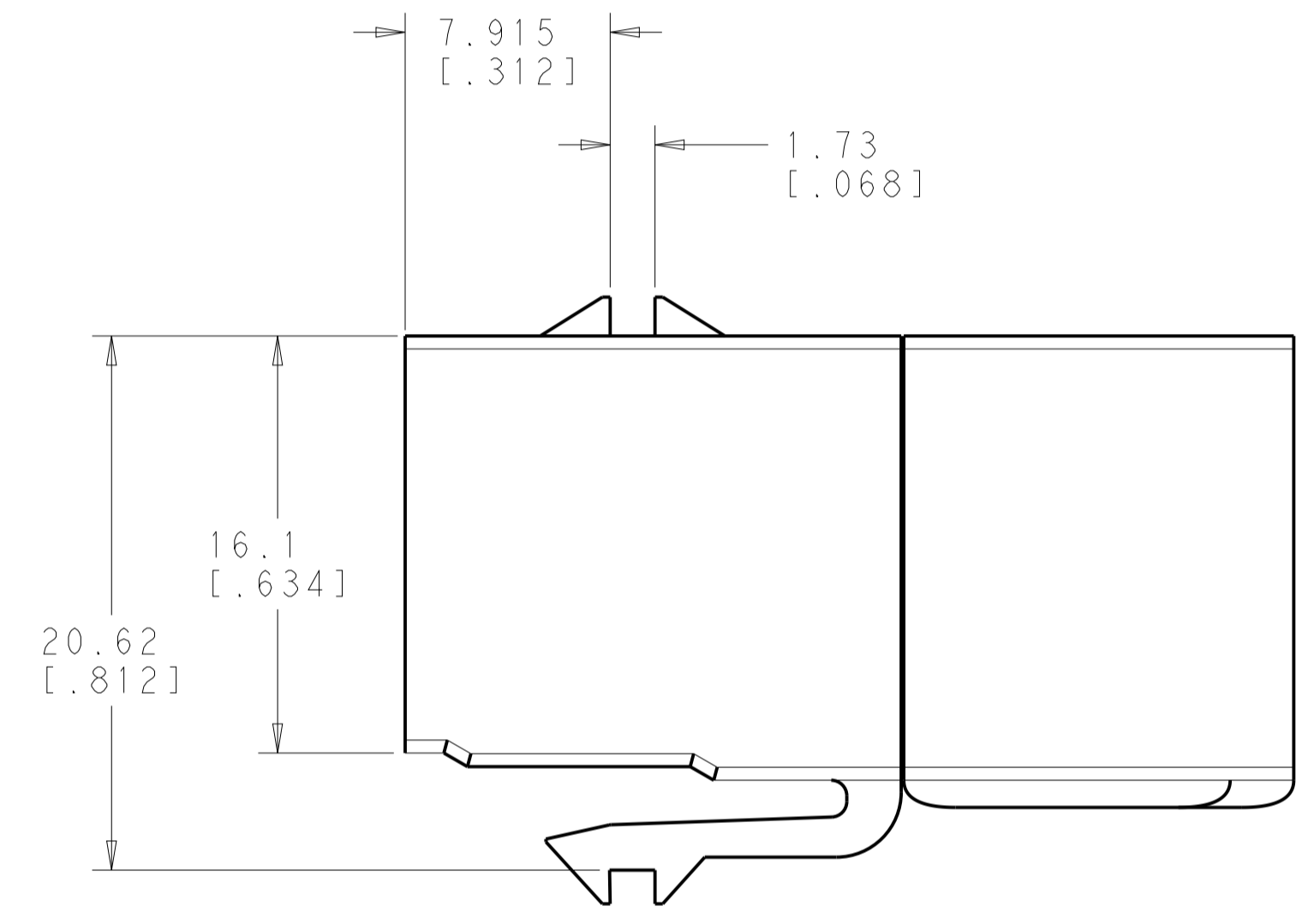
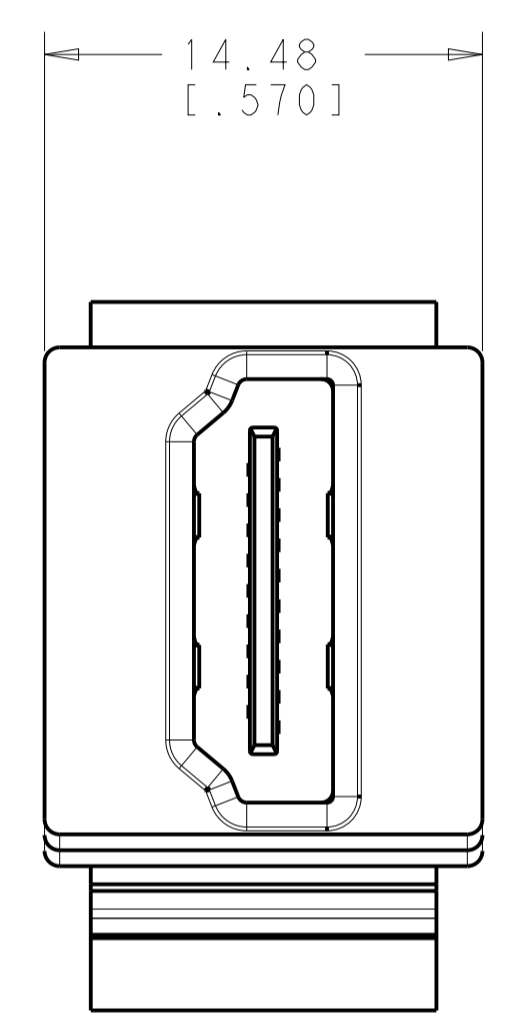
2 ALL DIMENSIONS SHOWN ARE NOMINAL.

3. ELECTRICAL:

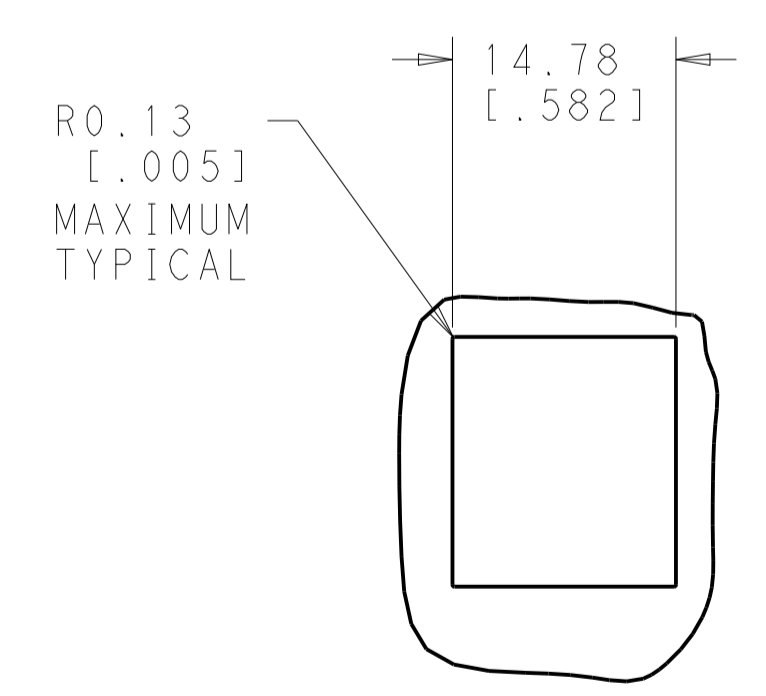
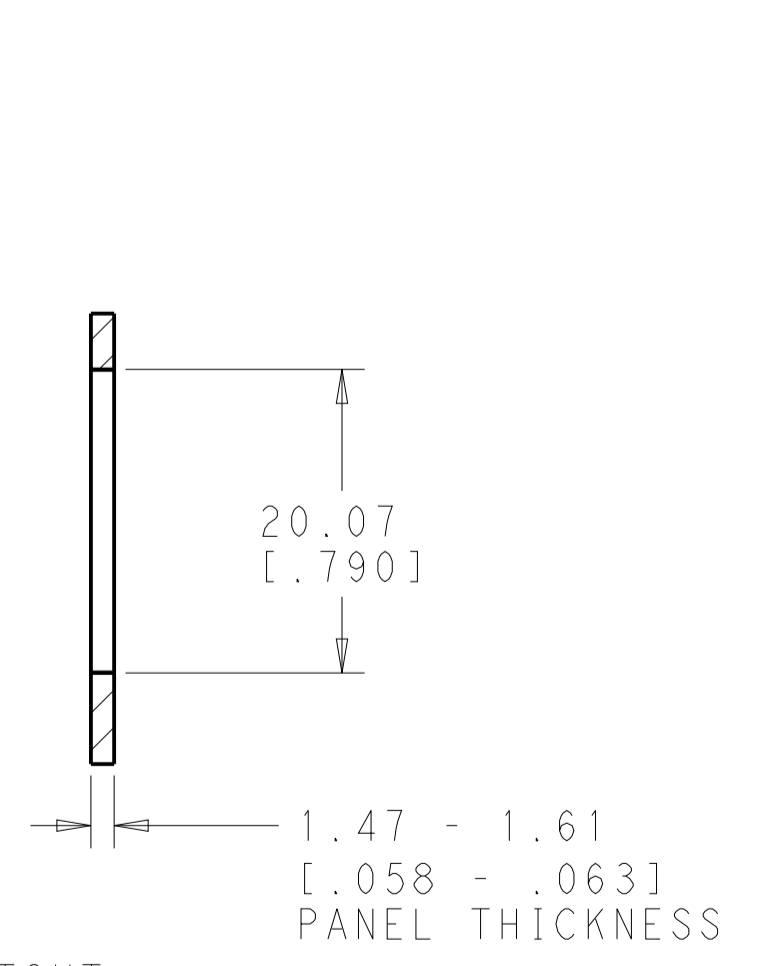
- CONTACT CURRENT RATING: 0.5A MIN.
- VOLTAGE RATING: 40V AC(rms)
- INSULATION RESISTANCE: 100M OHMS MIN
- CONTACT RESISTANCE: 10M OHMS MAX
- DIELECTRIC WITHSTANDING VOLTAGE: 300V AC
- OPERATION TEMPERATURE: -55°C TO +85°C

4. MECHANICAL:

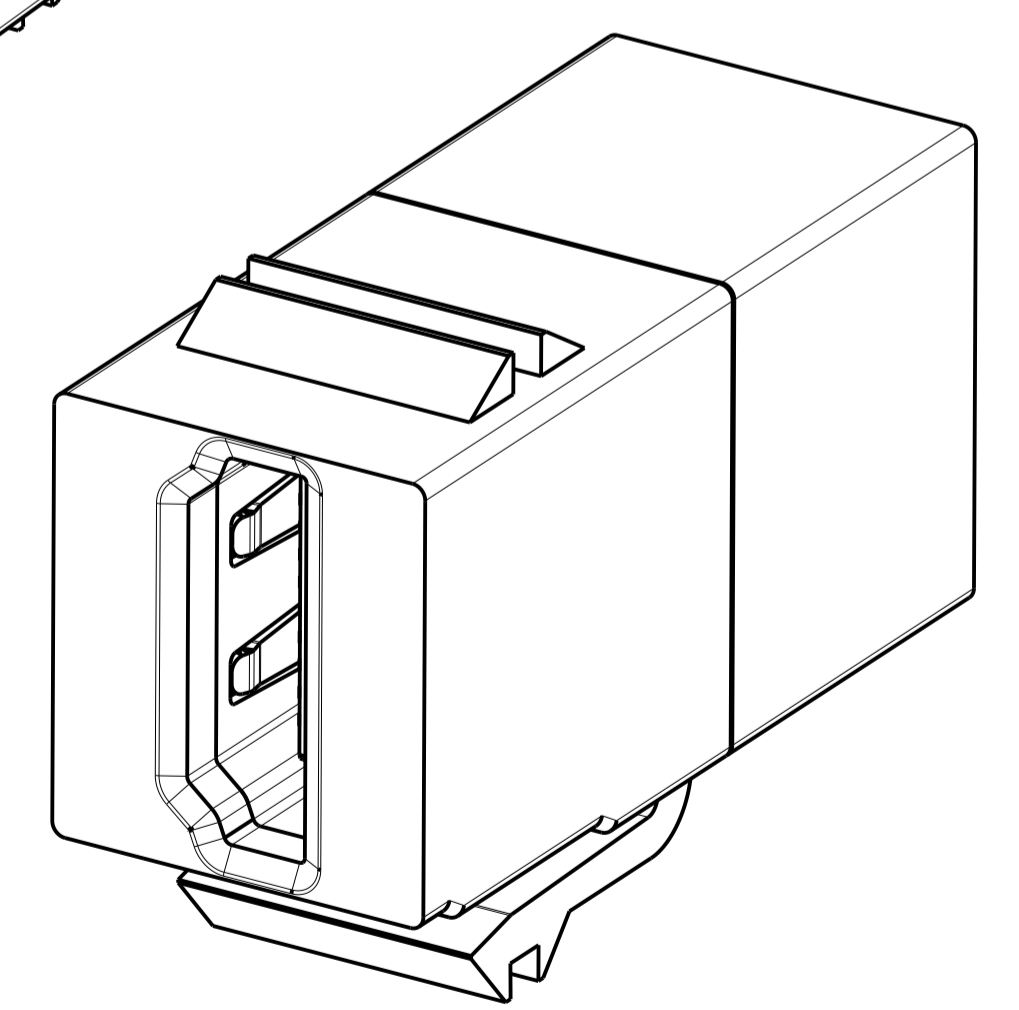
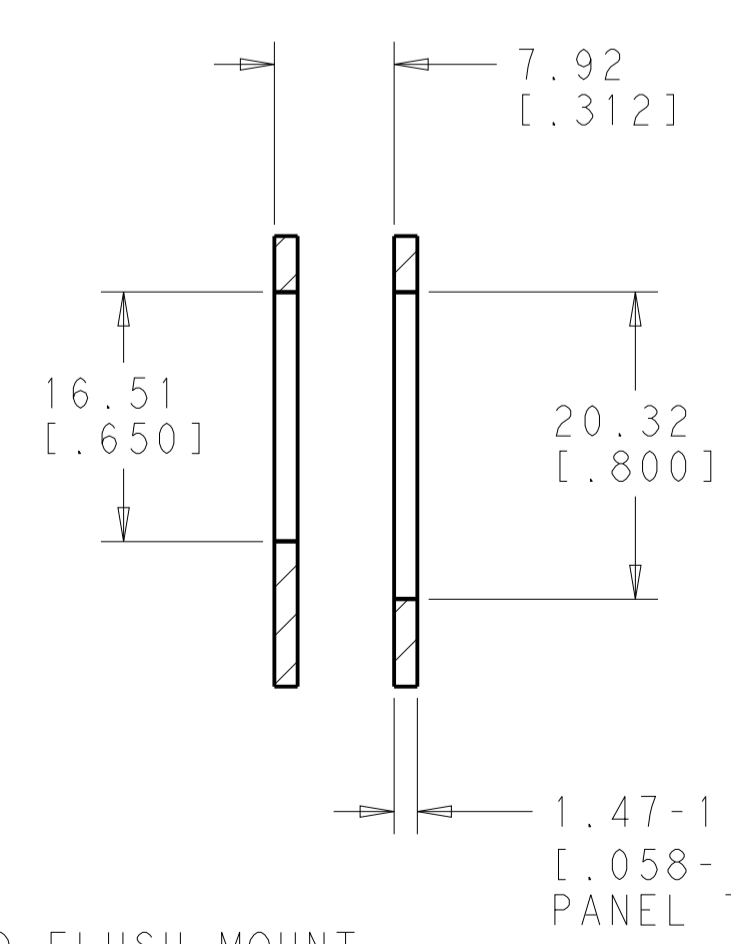
- INSERTION FORCE: 4.5KGF MAX
- WITHDRAW FORCE: 0.5KGF - 4KGF
- DURABILITY MATING CYCLE: 10,000 CYCLES MIN



SINGLE PANEL CUTOUT



SUGGESTED FLUSH MOUNT
PANEL APPLICATION CUTOUT



BLACK	2111500-2
COLOR	PART NUMBER

THIS DRAWING IS A CONTROLLED DOCUMENT.		DWN: G. GARRETT 14APR2010	COMMSCOPE, INC.	
DIMENSIONS: mm [INCHES]		CHK: R. ASHBY 14APR2010	HDMI COUPLER, SL	
TOLERANCES UNLESS OTHERWISE SPECIFIED:		APVD: R. ASHBY 14APR2010	RESTRICTED TO	
0 PLC	±	PRODUCT SPEC	SIZE	CAGE CODE
1 PLC	±	APPLICATION SPEC	A1	2111500
2 PLC	±	WEIGHT	SCALE	4:1
3 PLC	±	CUSTOMER DRAWING	SHEET	1 OF 1
4 PLC	±		REV	B
ANGLES	±			
FINISH	-			

X-ON Electronics

Largest Supplier of Electrical and Electronic Components

Click to view similar products for [HDMI, Displayport & DVI Connectors](#) category:

Click to view products by [TE Connectivity](#) manufacturer:

Other Similar products are found below :

[1775247-3](#) [2-1932649-5](#) [30-1231](#) [30-528](#) [2069485-1](#) [30-504](#) [30-519](#) [30-542](#) [47648-2000](#) [2002-400](#) [769-103/021-000](#) [1932649-1](#) [233-368NFG6-17NH](#) [PJ-210A](#) [PJ-35825](#) [6321-026RDS1MWA02](#) [FDB0901-M0DB300K6KF](#) [3VD51203-3D6A-7H](#) [DV11201-H5R6-4F](#) [RPI-16337](#) [CC-MDPM-VGAM-6](#) [RPI-16338](#) [CCB-HDMIL-1.5M](#) [CCB-HDMIL-1M](#) [CCB-HDMIL-2M](#) [CCB-HDMIL-3M](#) [CCB-HDMIL-5M](#) [CCB-HDMIL-7.5M](#) [CCBP-HDMI-10M](#) [CCBP-HDMI-1M](#) [CCBP-HDMI-2M](#) [CCBP-HDMI-3M](#) [CCBP-HDMI-5M](#) [CCBP-HDMI-7.5M](#) [CCBP-HDMI8K-1M](#) [CCBP-HDMI8K-2M](#) [CCBP-HDMI8K-3M](#) [AK-AV-02](#) [AK-AV-03](#) [AK-AV-05](#) [AK-AV-11](#) [AK-AV-13](#) [AK-AV-15](#) [CCP-MDP2-6](#) [CCP-MDPMDP2-6](#) [AK-HD-05A](#) [AK-HD-100A](#) [AK-HD-100P](#) [AK-HD-15A](#) [AK-HD-15P](#)