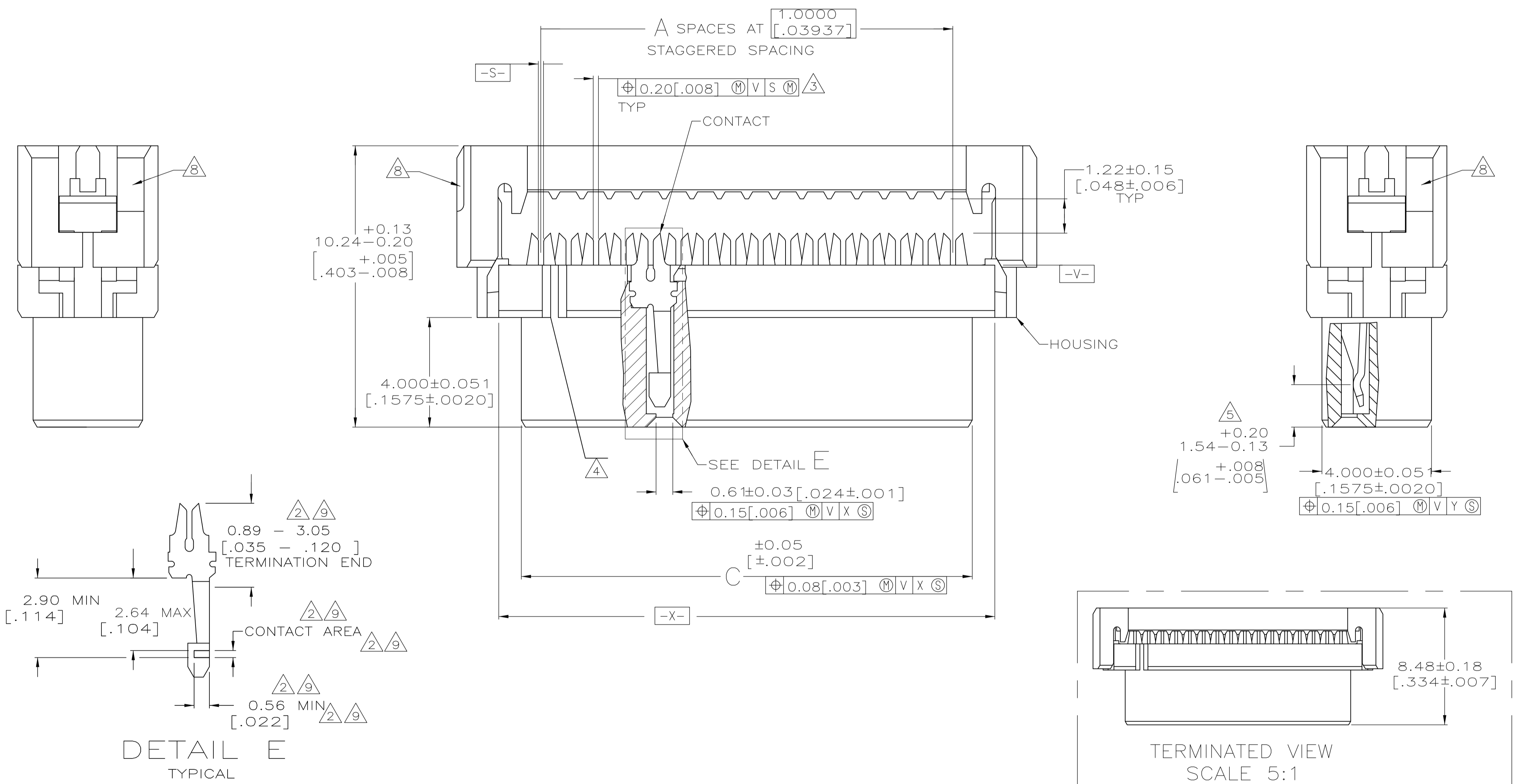


- 1 MOLDING PARTS: POLYESTER, UL RATED 94V-0, BLACK. CONTACTS: BERYLLIUM COPPER.
- 2 2.54 μm [.000100] MIN TIN-LEAD ON TERMINATION END, 0.76 μm [.000030] MIN GOLD ON CONTACT AREA, ALL OVER 1.27 μm [.000050] MIN NICKEL.
- 3 POSITION TOLERANCE APPLIES 0.76 [.030] ABOVE DATUM V.
- 4 POSITION NUMBER 1 INDICATOR.
- 5 ELECTRICAL ENGAGEMENT ZONE.
- 6. RECOMMENDED 28 AWG RIBBON CABLE, 0.61 - 0.97 [.024 - .038] THICK PVC, 1.0000 [.03937] PITCH.
- 7 AMP LOGO ORIENTATION IS OPTIONAL.
- 8 RECESS ON EACH END, OPPOSITE CORNER.
- 9 0.13 μm [.000005] MIN GOLD ON TERMINATION END, 0.76 μm [.000030] MIN GOLD ON CONTACT AREA, ALL OVER 1.27 μm [.000050] MIN NICKEL.
- 10 MOLD GATE PROJECTION ON EITHER END OF COVER TO BE EXCLUDED FROM DIMENSION 'B' MEASUREMENT.



| | | | | | | |
|----------|---------|---------|---------|----|----|------------|
| 9 | 0.0000 | 26.42 | 31.17 | 25 | 26 | 2-111626-7 |
| 9 | .000000 | [1.040] | [1.227] | | | |
| 9 | 1.0000 | 24.41 | 29.18 | 23 | 24 | 2-111626-6 |
| 9 | .03937 | [.961] | [1.149] | | | |
| 9 | 1.0000 | 16.41 | 21.18 | 15 | 16 | 2-111626-5 |
| 9 | .03937 | [.646] | [.834] | | | |
| 9 | 1.0000 | 8.41 | 13.18 | 7 | 8 | 2-111626-4 |
| 9 | .03937 | [.331] | [.519] | | | |
| 9 | 0.0000 | 50.39 | 55.17 | 49 | 50 | 2-111626-3 |
| 9 | .000000 | [1.984] | [2.172] | | | |
| 9 | 1.0000 | 44.40 | 49.17 | 43 | 44 | 2-111626-2 |
| 9 | .03937 | [1.748] | [1.936] | | | |
| 9 | 1.0000 | 40.41 | 45.19 | 39 | 40 | 2-111626-1 |
| 9 | .03937 | [1.591] | [1.779] | | | |
| 9 | 0.0000 | 34.42 | 39.17 | 33 | 34 | 2-111626-0 |
| 9 | .000000 | [1.355] | [1.542] | | | |
| 9 | 1.0000 | 20.40 | 25.17 | 19 | 20 | 1-111626-9 |
| 9 | .03937 | [.803] | [.991] | | | |
| 9 | 0.0000 | 14.40 | 19.18 | 13 | 14 | 1-111626-8 |
| 9 | .000000 | [.567] | [.755] | | | |
| 9 | 0.0000 | 10.41 | 15.16 | 9 | 10 | 1-111626-7 |
| 9 | .000000 | [.410] | [.597] | | | |
| OBSOLETE | 1.0000 | 8.41 | 13.18 | 7 | 8 | 1-111626-6 |
| OBSOLETE | .03937 | [.331] | [.519] | | | |
| OBSOLETE | 0.0000 | 22.40 | 27.18 | 21 | 22 | 1-111626-5 |
| OBSOLETE | .000000 | [.882] | [1.070] | | | |
| OBSOLETE | 1.0000 | 68.40 | 73.18 | 67 | 68 | 1-111626-4 |
| OBSOLETE | .03937 | [2.693] | [2.881] | | | |
| OBSOLETE | 1.0000 | 64.41 | 69.16 | 63 | 64 | 1-111626-3 |
| OBSOLETE | .03937 | [2.536] | [2.723] | | | |
| OBSOLETE | 1.0000 | 60.40 | 65.18 | 59 | 60 | 1-111626-2 |
| OBSOLETE | .03937 | [2.378] | [2.566] | | | |
| OBSOLETE | 0.0000 | 50.39 | 55.17 | 49 | 50 | 1-111626-1 |
| OBSOLETE | .000000 | [1.984] | [2.172] | | | |
| OBSOLETE | 1.0000 | 44.40 | 49.17 | 43 | 44 | 1-111626-0 |
| OBSOLETE | .03937 | [1.748] | [1.936] | | | |
| OBSOLETE | 1.0000 | 40.41 | 45.19 | 39 | 40 | 111626-9 |
| OBSOLETE | .03937 | [1.591] | [1.779] | | | |
| OBSOLETE | 0.0000 | 34.42 | 39.17 | 33 | 34 | 111626-8 |
| OBSOLETE | .000000 | [1.355] | [1.542] | | | |
| OBSOLETE | 0.0000 | 30.40 | 35.18 | 29 | 30 | 111626-7 |
| OBSOLETE | .000000 | [1.197] | [1.385] | | | |
| OBSOLETE | 0.0000 | 26.42 | 31.17 | 25 | 26 | 111626-6 |
| OBSOLETE | .000000 | [1.040] | [1.227] | | | |
| OBSOLETE | 1.0000 | 24.41 | 29.18 | 23 | 24 | 111626-5 |
| OBSOLETE | .03937 | [.961] | [1.149] | | | |
| OBSOLETE | 1.0000 | 20.40 | 25.17 | 19 | 20 | 111626-4 |
| OBSOLETE | .03937 | [.803] | [.991] | | | |
| OBSOLETE | 1.0000 | 16.41 | 21.18 | 15 | 16 | 111626-3 |
| OBSOLETE | .03937 | [.646] | [.834] | | | |
| OBSOLETE | 0.0000 | 14.40 | 19.18 | 13 | 14 | 111626-2 |
| OBSOLETE | .000000 | [.567] | [.755] | | | |
| OBSOLETE | 0.0000 | 10.41 | 15.16 | 9 | 10 | 111626-1 |
| OBSOLETE | .000000 | [.410] | [.597] | | | |

| | | | | | | | |
|-------------------------|--|--|---|---------------------------|---|---------------|---------|
| CONTACT FINISH | | D | C | B | A | NO OF POSN | PART NO |
| DIN C. OBERMAN 02-24-92 | | C. OBERMAN 3-9-92 | | J. McCLINTON | | | |
| DIMENSIONS: mm [INCHES] | | TOLERANCES UNLESS OTHERWISE SPECIFIED: | | NAME | | | |
| 0 PLC ± - | | 1 PLC ± - | | PRODUCT SPEC | | | |
| 2 PLC ± 0.08 [.003] | | 3 PLC ± - | | APPLICATION SPEC | | | |
| 4 PLC ± - | | ANGLES ± - | | SIZE CASE CODE DRAWING NO | | | |
| MATERIAL | | FINISH | | WEIGHT | | RESTRICTED TO | |
| A1 | | A1 | | A1 | | A1 | |
| CUSTOMER DRAWING | | SCALE 10:1 | | SHEET 1 of 1 | | REV M2 | |

X-ON Electronics

Largest Supplier of Electrical and Electronic Components

Click to view similar products for [Headers & Wire Housings](#) category:

Click to view products by [TE Connectivity](#) manufacturer:

Other Similar products are found below :

[892-18-020-10-001101](#) [58102-G61-06LF](#) [582553-1](#) [0009485154](#) [009176003701906](#) [0050291907](#) [LY20-4P-DT1-P1E-BR](#) [02.125.8002.8](#)
[609-3404](#) [61062-3](#) [61082-181009](#) [622-3653LF](#) [63453-116](#) [636-1030](#) [636-1427](#) [636-3427](#) [636-4007](#) [641938-9](#) [641991-4](#) [644827-2](#) [65817-](#)
[010LF](#) [65817-015LF](#) [65863-015LF](#) [66207-023LF](#) [67095-007LF](#) [67601157](#) [68645-018](#) [68648-049](#) [70.362.1628.0](#) [70-4210](#) [70-4226B](#) [70-](#)
[4853B](#) [707-5020](#) [707-5028](#) [71.350.2428.0](#) [71918-208LF](#) [71961-016LF](#) [733-134](#) [733-162](#) [754199-000](#) [760-3052](#) [787-8014-00](#) [79531-3000](#)
[FCN-360C032-B](#) [FCN-367T-T012/H](#) [FCN-723D010/2](#) [80.063.4001.1](#) [800-90-001-10-001000](#) [800-90-010-10-002000](#) [801-43-002-10-013000](#)