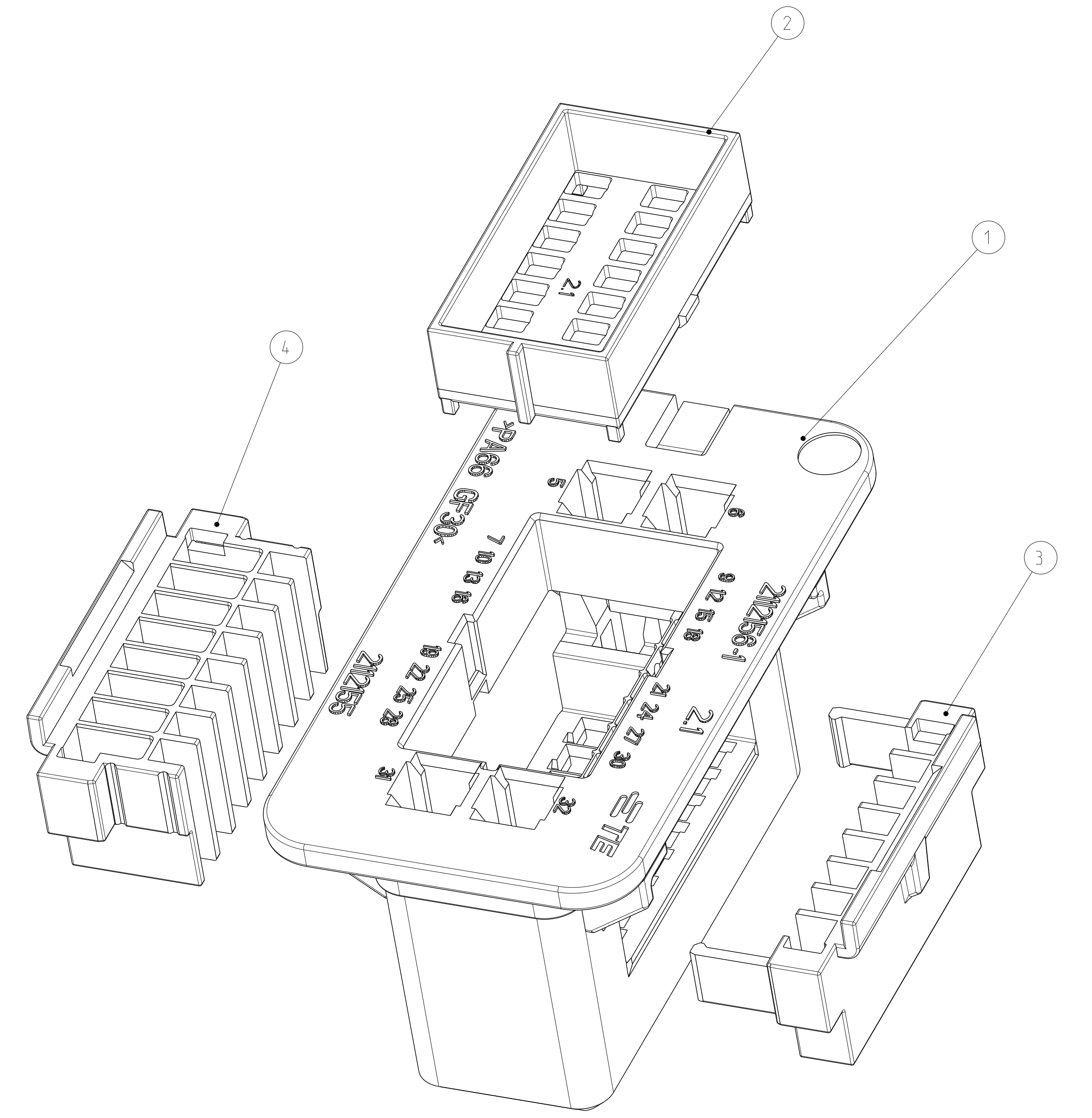
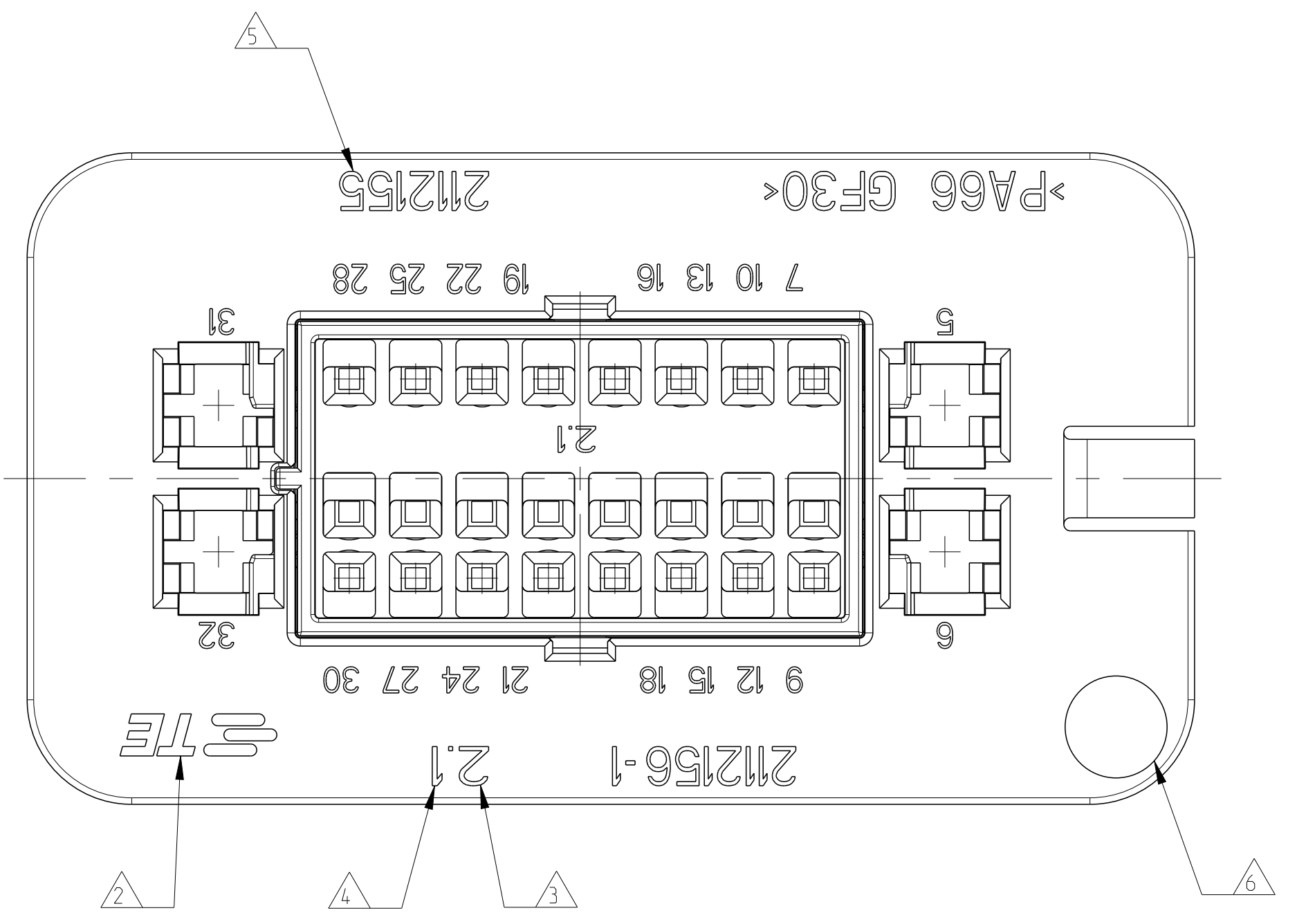
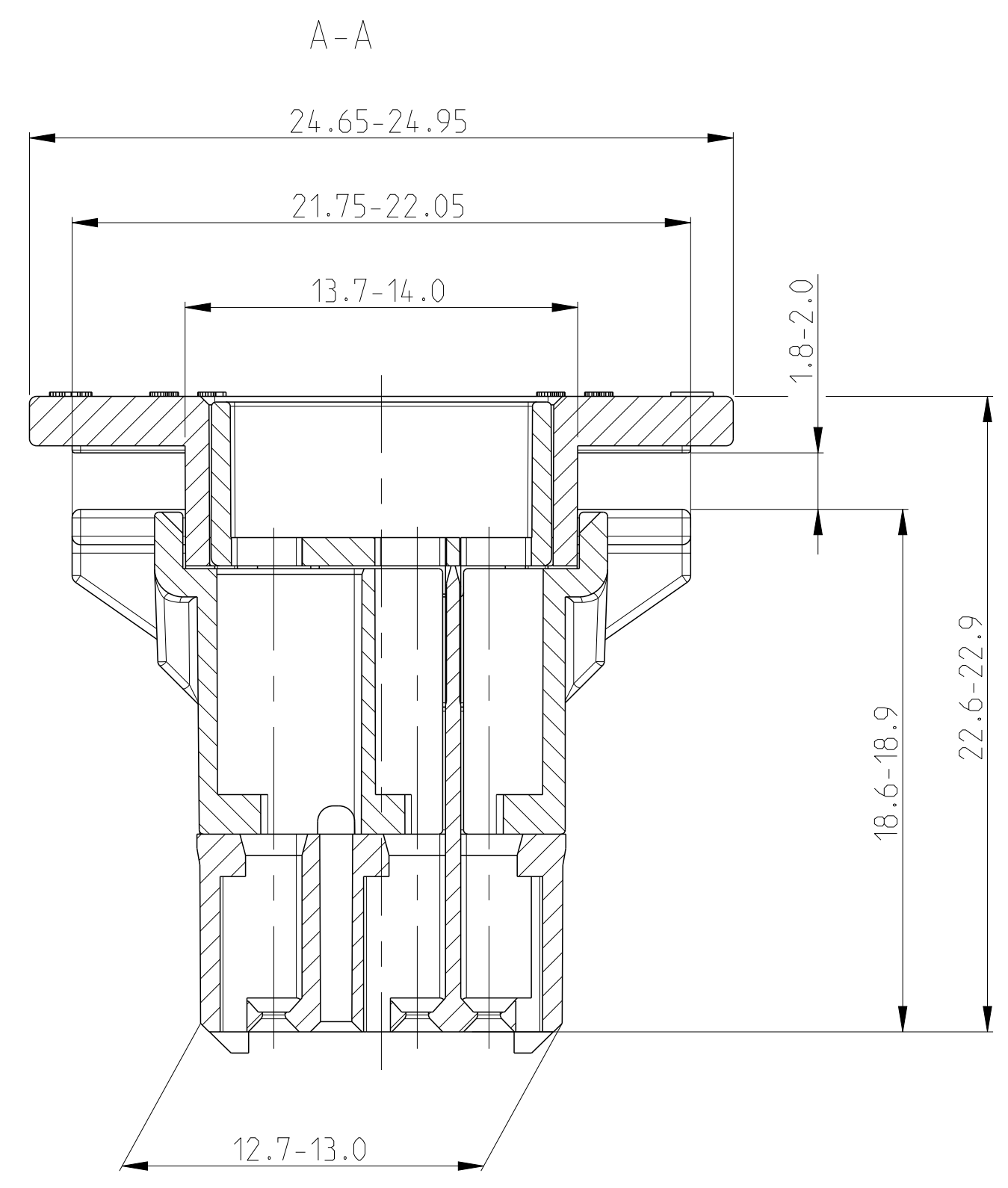
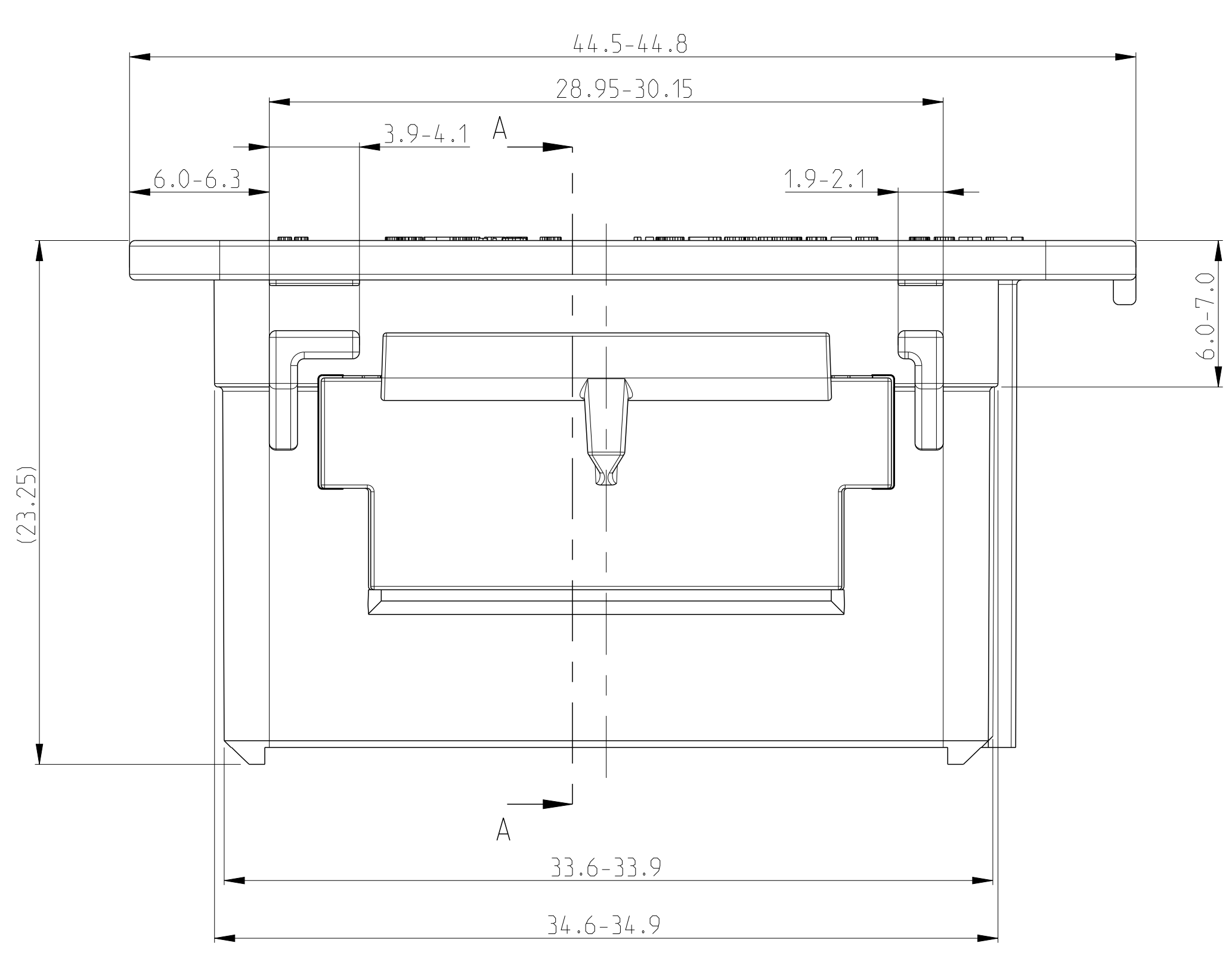
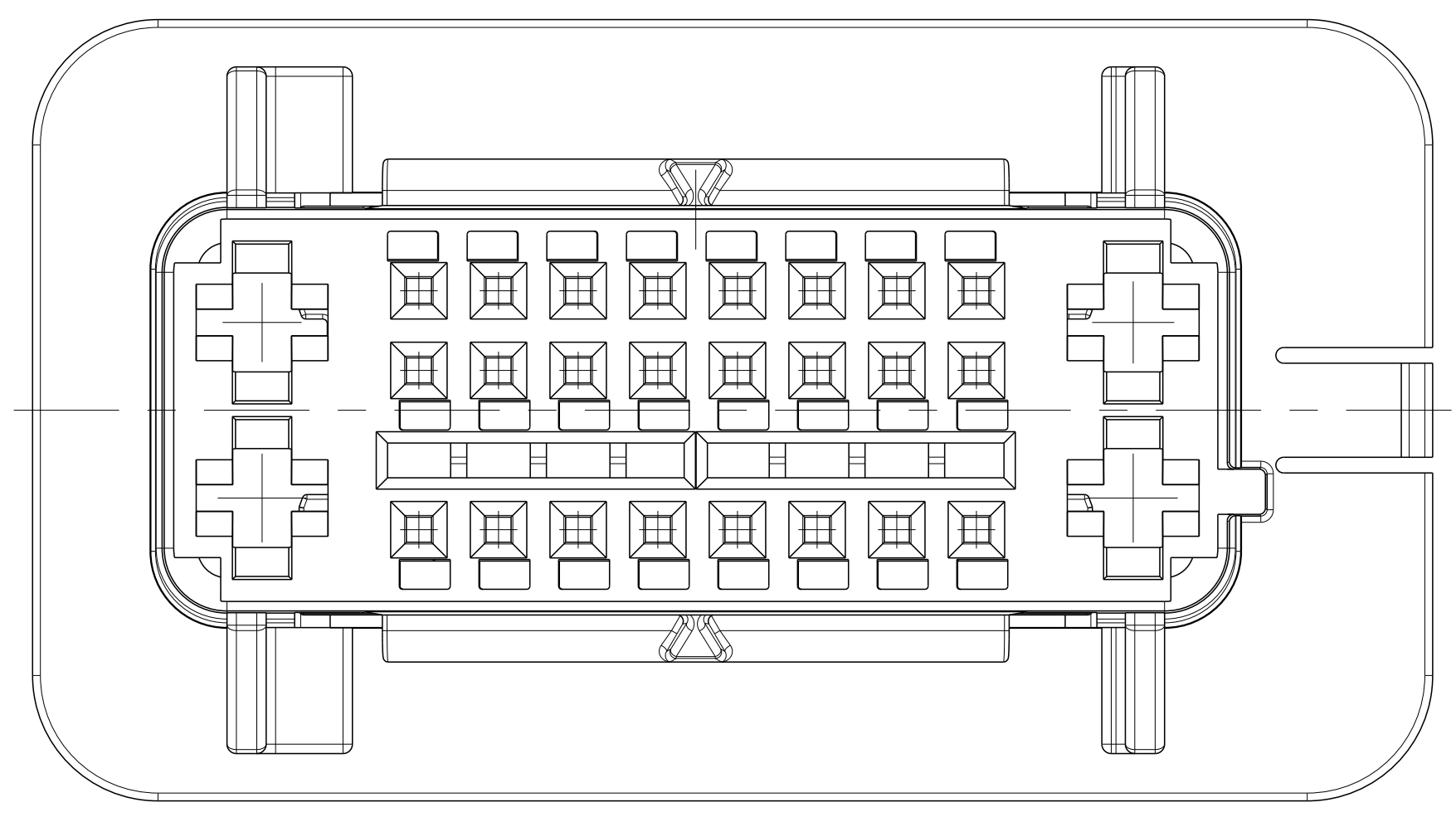


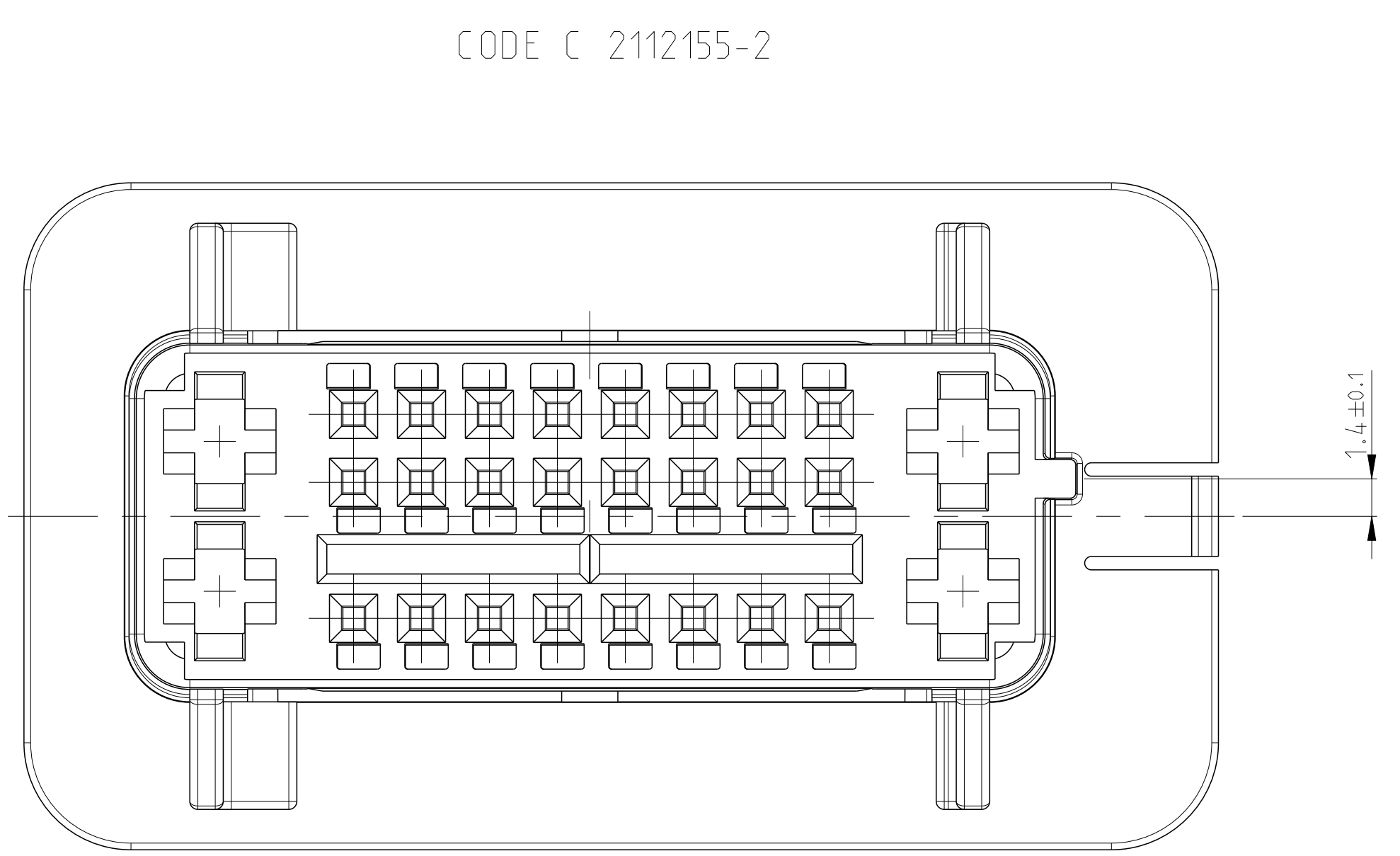
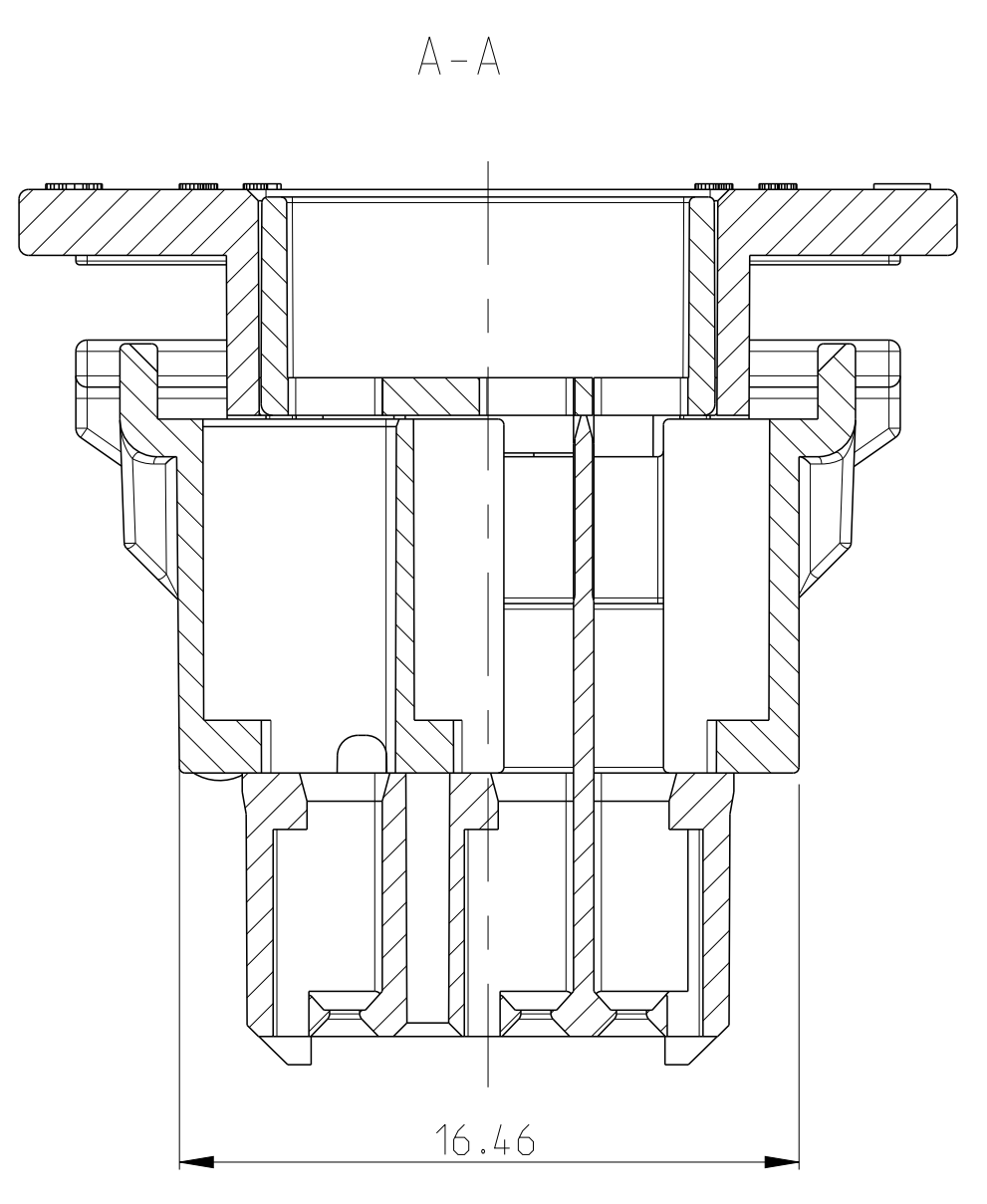
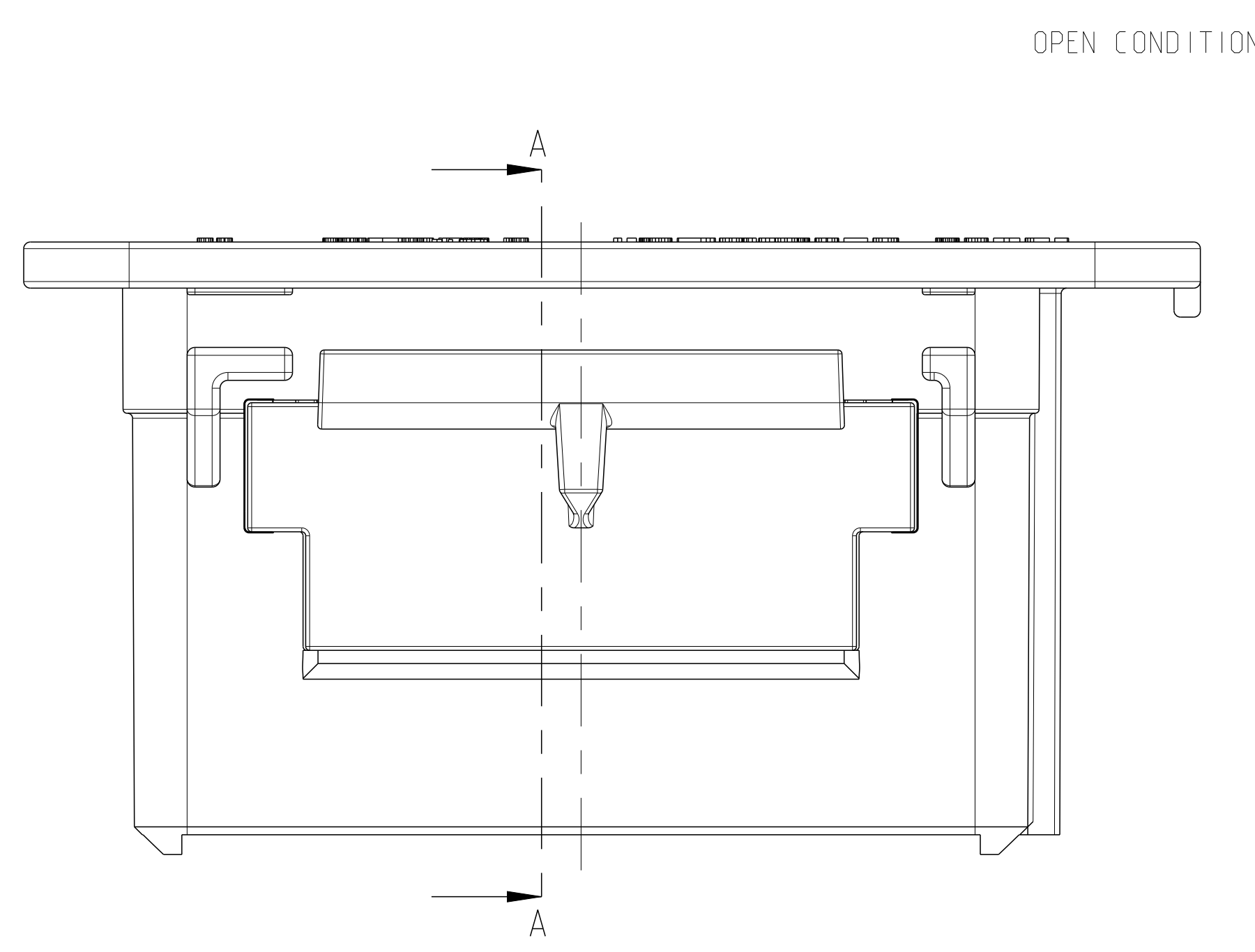
| REVISIONS | | | | |
|-----------|-----------|----------------------------------|-----|------|
| REV | DATE | DESCRIPTION | BY | APPD |
| A3 | 17SEP2010 | ECR-10-019349 | SPB | BB |
| B | 05DEC2014 | NEW LOGO, MARKING PLASTIC CAVITY | RC | JL |
| C | 04APR2019 | TPA LARGE modified | RC | JL |



CODE A 2112155-1 AS SHOWN

NOTES

- 1. SHIP WITH TPAs IN CLOSED POSITION
- △ UPDATE LOGO ON NEW MOLD
- △ MOLD IDENTIFICATION
- △ NUMBER PLASTIC CAVITY
- △ REFERENCE PART
- △ DATE CODE



| QTY | REV | DESCRIPTION | WEIGHT (g) | COLOR | TEM NO |
|-----------|-----------|--------------------|------------|-------|--------|
| 1 | 1 | TPA LARGE | | RED | 4 |
| 1 | 1 | TPA SMALL | | RED | 3 |
| 1 | 1 | Retainer TPA | | RED | 2 |
| 1 | | RECEPTACLE HOUSING | | BLACK | 1 |
| 1 | | RECEPTACLE HOUSING | | BLACK | 1 |
| 2112155-2 | 2112155-1 | DESCRIPTION | WEIGHT (g) | COLOR | TEM NO |

THIS DRAWING IS A CONTROLLED DOCUMENT. DATE: 30DEC12009

DESIGNED BY: Vijay Pali
 CHECKED BY: Shashidhar Nair
 APPROVED BY: SOB BAKER

ITEM: RECEPTACLE ASSY

MATERIAL: -
 FINISH: -
 WEIGHT: -
 ANGLE: -

APPLICATION SPEC: -
 CASE CODE: -
 DRAWING NO: A0 00779
 SCALE: 5:1
 SHEET: 1 OF 1
 REV: C

Customer Drawing

X-ON Electronics

Largest Supplier of Electrical and Electronic Components

Click to view similar products for [Automotive Connectors](#) category:

Click to view products by [TE Connectivity](#) manufacturer:

Other Similar products are found below :

[003-018-000](#) [60403001](#) [60993906-B](#) [M902-2131](#) [M902-2161](#) [72.330.1035.1](#) [73.353.4028.0](#) [F119300-B](#) [F166900](#) [F258300-B](#) [F358300-B](#)
[F407400](#) [F444110](#) [F487000](#) [F509500B-B](#) [827153-1](#) [8N1515-32-24P](#) [9-1326729-8](#) [925474-1](#) [928905-1](#) [964562-4](#) [968782-1](#) [GT17SA-8DS-](#)
[HU](#) [98891-1012](#) [98947-1016](#) [12004147](#) [12004475-L](#) [12010290](#) [12010309-B](#) [12015454](#) [12020219-B](#) [12020308](#) [12041318-B](#) [12052225-L](#)
[12052466](#) [12059125](#) [12064869](#) [12004327-B](#) [12010503-B](#) [12015308](#) [12015384](#) [12015909](#) [1-21030-1](#) [12041254](#) [12041318](#) [12047946-B](#)
[12047957](#) [12047957-L](#) [12059473](#) [12066261](#)