

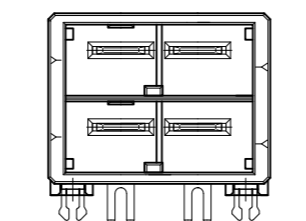
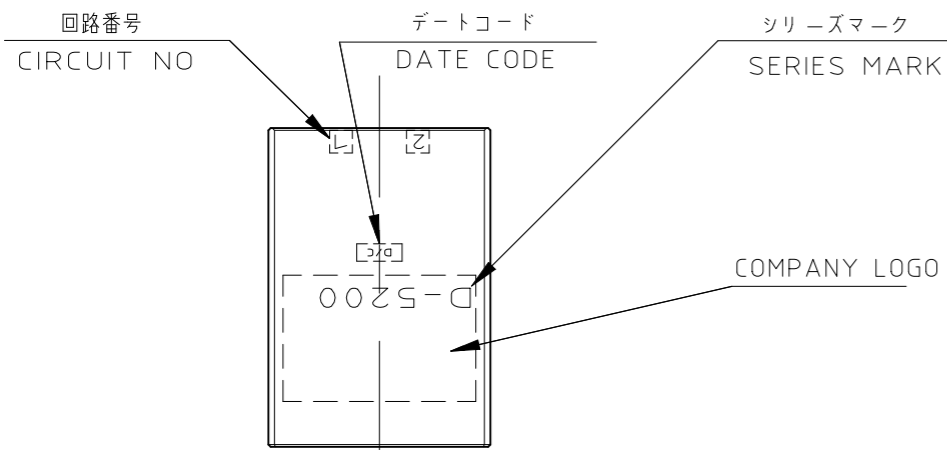
THIS DRAWING IS UNPUBLISHED.

RELEASED FOR PUBLICATION

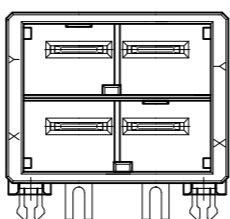
© COPYRIGHT 1997 By Tyco Electronics Japan G.K.

ALL RIGHTS RESERVED.

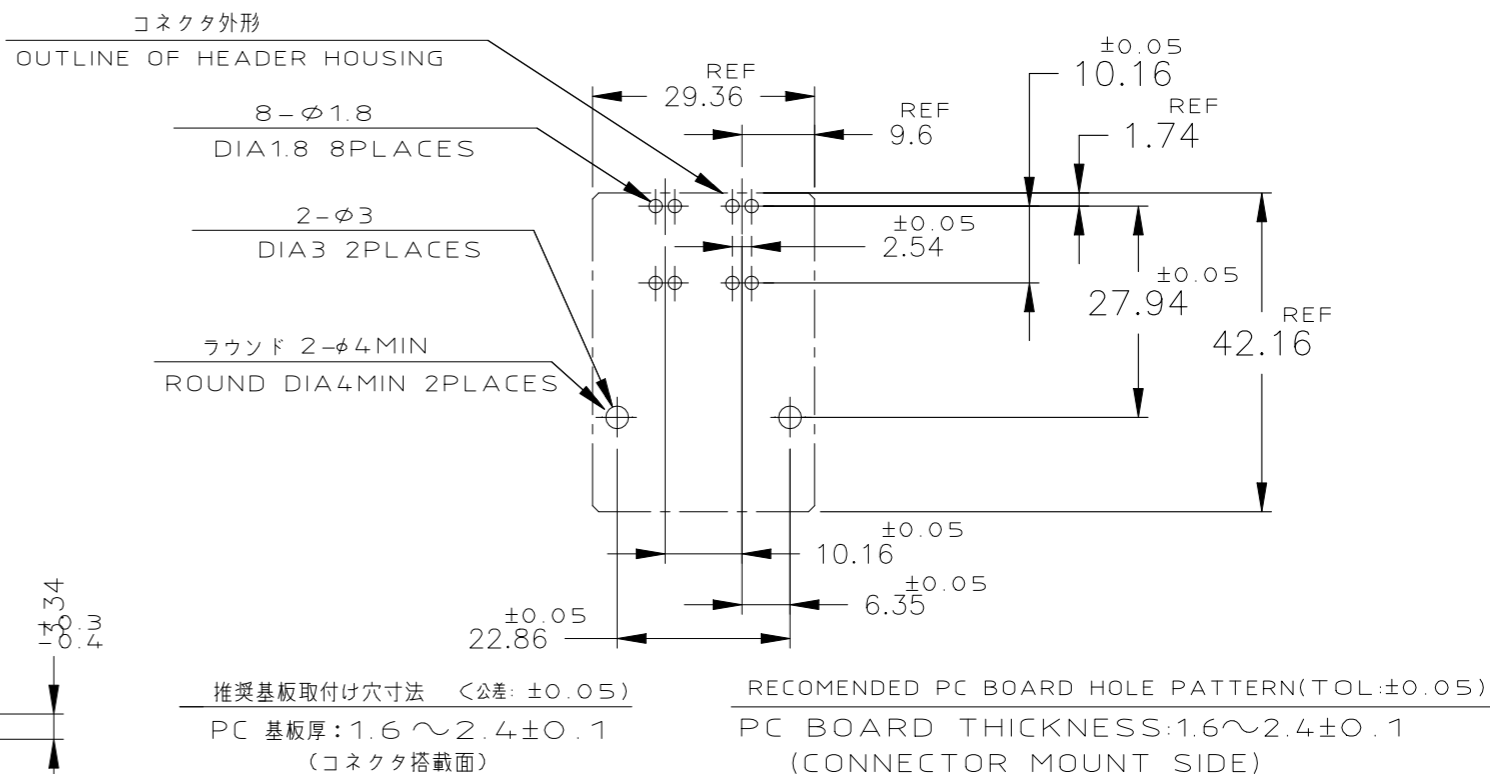
LOC	DIST	REVISIONS					
		P	LTR	DESCRIPTION	DATE	DWN	APVD
J	-		E	REVISED	08MAR2021	M.J	E.I



2-1123309-2,3 (KEYING:YY)



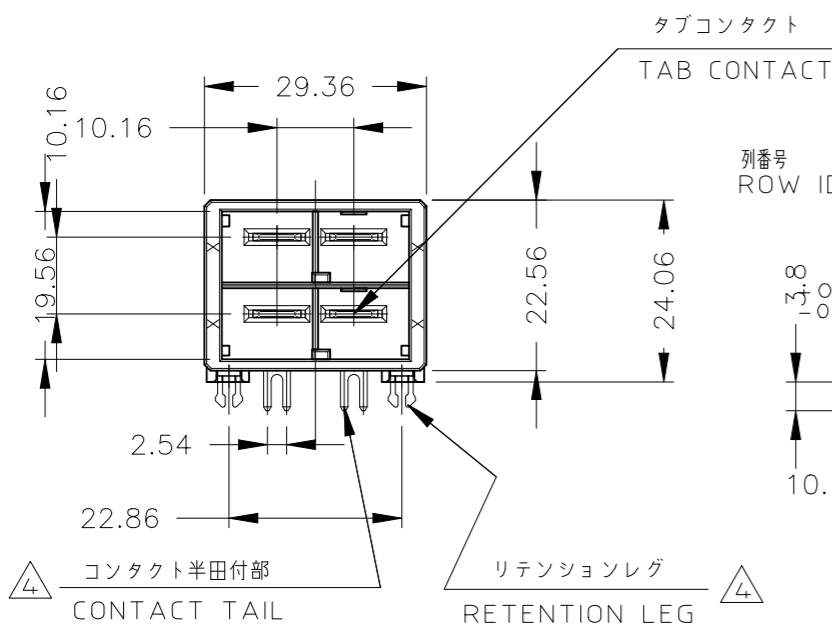
3-1123309-2,3 (KEYING:XY)



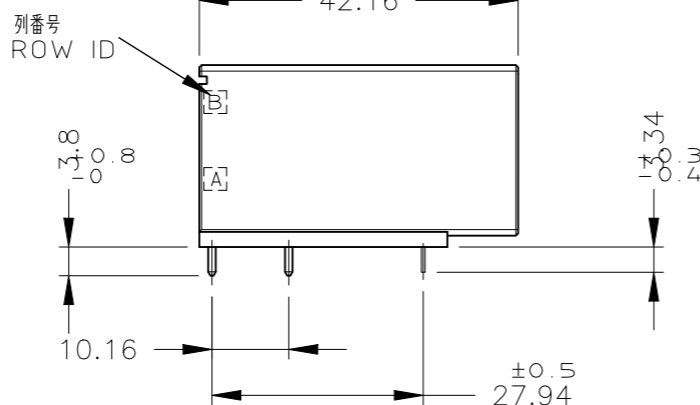
推奨基板取付け穴寸法 (公差: ±0.05)
 PC 基板厚: 1.6 ~ 2.4 ± 0.1
 (コネクタ搭載面)

RECOMENDED PC BOARD HOLE PATTERN (TOL: ±0.05)
 PC BOARD THICKNESS: 1.6 ~ 2.4 ± 0.1
 (CONNECTOR MOUNT SIDE)

矢視 "A"
VIEW "A"



1-1123309-2,3 (KEYING:XX)



矢視 "A"
VIEW "A"

- 1. MATERIAL: HOUSING: GLASS FILED THERMO PLASTIC, POLYESTER (94V-0), COLOR: BLACK
- TAB CONTACT: COPPER ALLOY
- RETENTION LEG: BRASS
- △2 FINISH (CONTACT AREA): 0.38 μm MIN GOLD PLATING OVER Ni PLATING
- △3 FINISH (CONTACT AREA): 0.76 μm MIN GOLD PLATING OVER Ni PLATING
- △4 FINISH (RETENTION LEG): TIN PLATED (CONTACT TAIL) OVER NICKEL
- △5 OBSOLETE PARTS : OBSOLETE CIS STREAMLINING PER D.RENAUD/D.SINISI
- △6 FINISH (CONTACT AREA) : ALL OVER 2.54 μm MIN SILVER PLATING OVER Ni PLATING

- 1. 材料: ハウジング : ガラス入り熱可塑性ポリエステル樹脂 (94V-0)、色: 黒
- : タブコンタクト : 銅合金
- : リテンションレグ : 黄銅
- △2 めっき: コンタクト: 全面Ni下地 接触部 : 0.38 μm MIN 金めっき
- △3 めっき: コンタクト: 全面Ni下地 接触部 : 0.76 μm MIN 金めっき
- △4 めっき: リテンションレグとコンタクト半田付部 : ニッケル下地の上にスズめっき
- △6 めっき: コンタクト: 全面Ni下地の上に 2.54 μm MIN 全面銀めっき

XY	△4 △3	3-1123309-3	OBSOLETE △5
	△4 △2	3-1123309-2	
YY	△4 △3	2-1123309-3	OBSOLETE △5
	△4 △2	2-1123309-2	
XX	△4 △6	1-1123309-4	
	△4 △3	1-1123309-3	
	△4 △2	1-1123309-2	
KEY TYPE	コンタクトのめっき (FINISH)	製品番号 (PART NO.)	

THIS DRAWING IS A CONTROLLED DOCUMENT.		DWN K.IKEDA 07NOV1997	TE Connectivity	
		CHK N.MATSUBARA 26NOV1997		
		APVD S.MANABE 10DEC1997	NAME	
DIMENSIONS: mm		PRODUCT SPEC 108-5453	DOUBLE ROW HEADER ASSY 4P H-TYPE DYNAMIC D-5200 D	
TOLERANCES UNLESS OTHERWISE SPECIFIED:		APPLICATION SPEC 114-5246	RESTRICTED TO	
MATERIAL SEE NOTE		WEIGHT	SIZE A3	CAGE CODE 00779
		FINISH	DRAWING NO C-1123309	SCALE 1:1
			SHEET 1 OF 2	REV E
			CUSTOMER DRAWING	

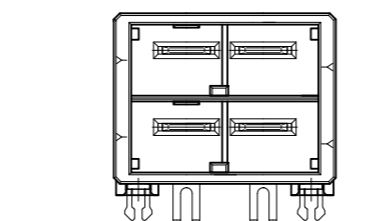
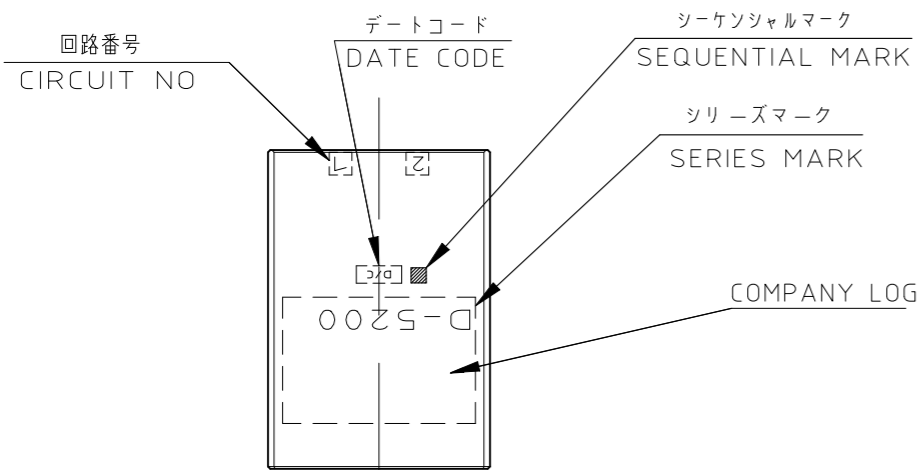
THIS DRAWING IS UNPUBLISHED.

RELEASED FOR PUBLICATION

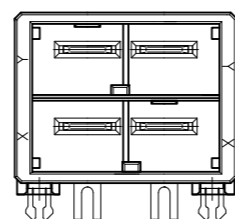
ALL RIGHTS RESERVED.

© COPYRIGHT 1997 By Tyco Electronics Japan G.K.

LOC	DIST	REVISIONS					
J	-	P	LTR	DESCRIPTION	DATE	DWN	APVD
		-		SEE SHEET 1	-	-	-

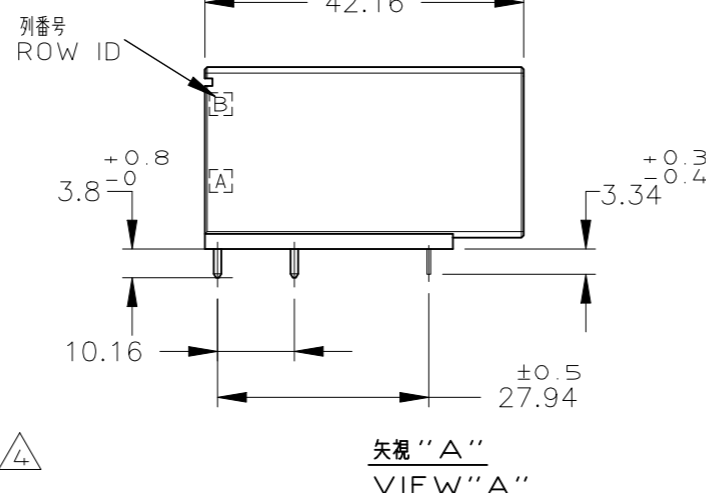
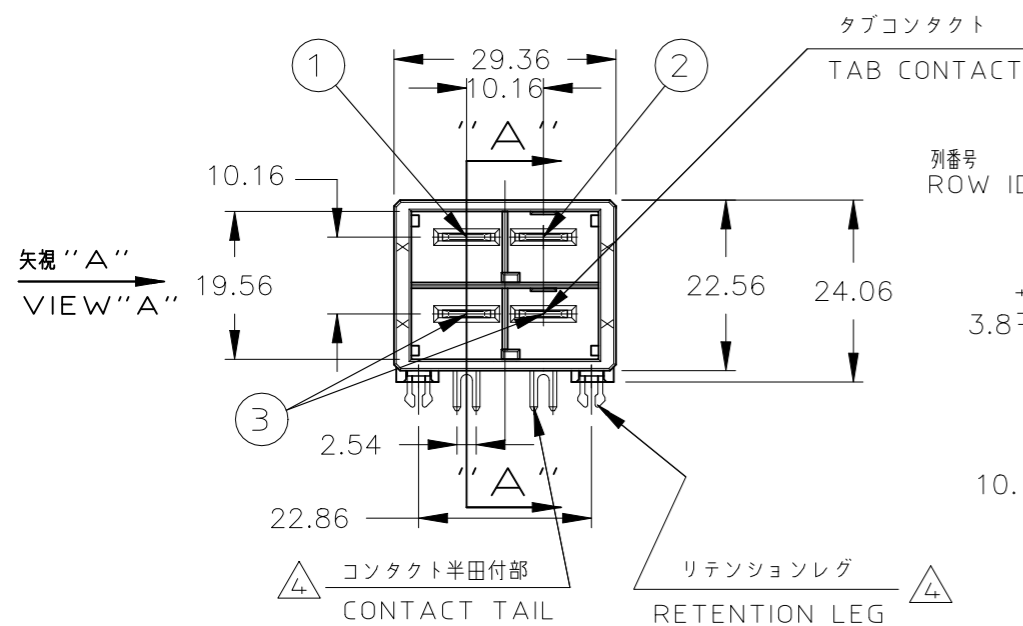


5-1123309-2
(KEYING:YY)



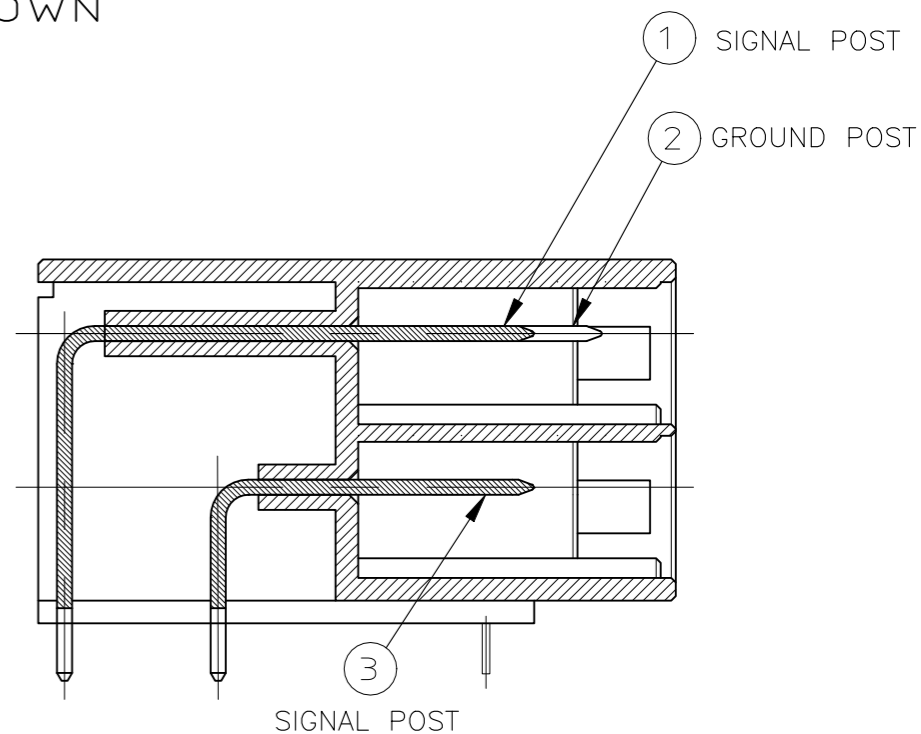
5-1123309-2
(KEYING:XY)

5,8,9-1123309-2;AS SHOWN
SEQUENTIAL TYPE

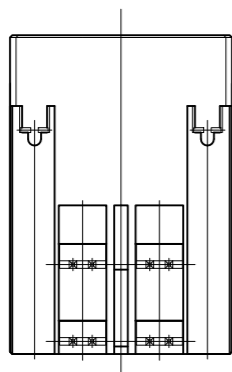


	回路番号	
	1	2
B 列	① Signal	② Ground
A 列	③ Signal	③ Signal

POINT OF SEQUENTIAL



8-1123309-2
(KEYING:XX)



1. MATERIAL:HOUSING:GLASS FILED THERMO PLASTIC
,POLYESTER(94V-0),COLOR:BLACK
TAB CONTACT:COPPER ALLOY
RETENTION LEG:BRASS

- ② FINISH(CONTACT AREA):0.38μmMIN GOLD PLATING OVER Ni PLATING
- ③ FINISH(CONTACT AREA):0.76μmMIN GOLD PLATING OVER Ni PLATING
- ④ FINISH(RETENTION LEG): TIN PLATED (CONTACT TAIL) OVER NICKEL
- ⑤ OBSOLETE PARTS : OBSOLETE CIS STREAMLINING PER D.RENAUD/D.SINISI

1. 材料:ハウジング : ガラス入り熱可塑性ポリエステル樹脂(94V-0)、色:黒
:タブコンタクト : 銅合金
:リテンションレグ : 黄銅

- ② めっき:コンタクト:全面Ni下地 接触部 :0.38μm MIN 金めっき
- ③ めっき:コンタクト:全面Ni下地 接触部 :0.76μm MIN 金めっき
- ④ めっき:リテンションレグとコンタクト半田付部 : ニッケル下地の上にスズめっき

XY	④ ②	5-1123309-2	⑤ OBSOLETE
YY	④ ②	9-1123309-2	
XX	④ ②	8-1123309-2	
KEY TYPE	コンタクトのめっき (FINISH)	製品番号 (PART NO.)	

THIS DRAWING IS A CONTROLLED DOCUMENT.		DWN K.IKEDA 07NOV1997	TE Connectivity	
DIMENSIONS: mm		CHK N.MATSUBARA 26NOV1997		
TOLERANCES UNLESS OTHERWISE SPECIFIED:		APVD S.MANABE 10DEC1997	NAME DOUBLE ROW HEADER ASSY 4P H-TYPE DYNAMIC D-5200 D	
		PRODUCT SPEC 108-5453	DRAWING NO A3 00779 C-1123309	
MATERIAL SEE NOTE		APPLICATION SPEC 114-5246	SIZE A3	CAGE CODE 00779
FINISH SEE NOTE		WEIGHT	RESTRICTED TO -	
CUSTOMER DRAWING			SCALE 1:1	SHEET 2 OF 2
			REV E	

X-ON Electronics

Largest Supplier of Electrical and Electronic Components

Click to view similar products for [Headers & Wire Housings](#) category:

Click to view products by [TE Connectivity](#) manufacturer:

Other Similar products are found below :

[892-18-020-10-001101](#) [58102-G61-06LF](#) [582553-1](#) [0009485154](#) [009176003701906](#) [0050291907](#) [LY20-4P-DT1-P1E-BR](#) [02.125.8002.8](#)
[609-3404](#) [61062-3](#) [61082-181009](#) [622-3653LF](#) [63453-116](#) [636-1030](#) [636-1427](#) [636-3427](#) [636-4007](#) [641938-9](#) [641991-4](#) [644827-2](#) [65817-](#)
[010LF](#) [65817-015LF](#) [65863-015LF](#) [66207-023LF](#) [67095-007LF](#) [67601157](#) [68645-018](#) [68648-049](#) [70.362.1628.0](#) [70-4210](#) [70-4226B](#) [70-](#)
[4853B](#) [707-5020](#) [707-5028](#) [71.350.2428.0](#) [71918-208LF](#) [71961-016LF](#) [733-134](#) [733-162](#) [754199-000](#) [760-3052](#) [787-8014-00](#) [79531-3000](#)
[FCN-360C032-B](#) [FCN-367T-T012/H](#) [FCN-723D010/2](#) [80.063.4001.1](#) [800-90-001-10-001000](#) [800-90-010-10-002000](#) [801-43-002-10-013000](#)