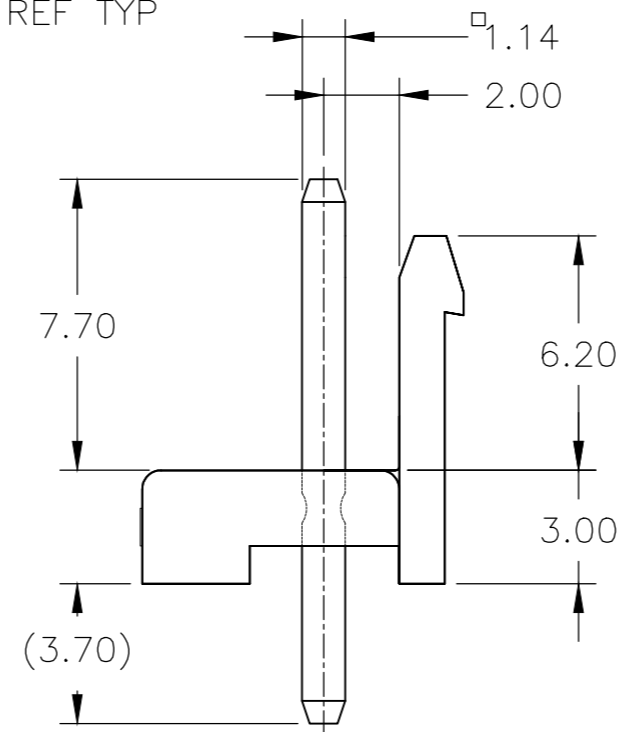
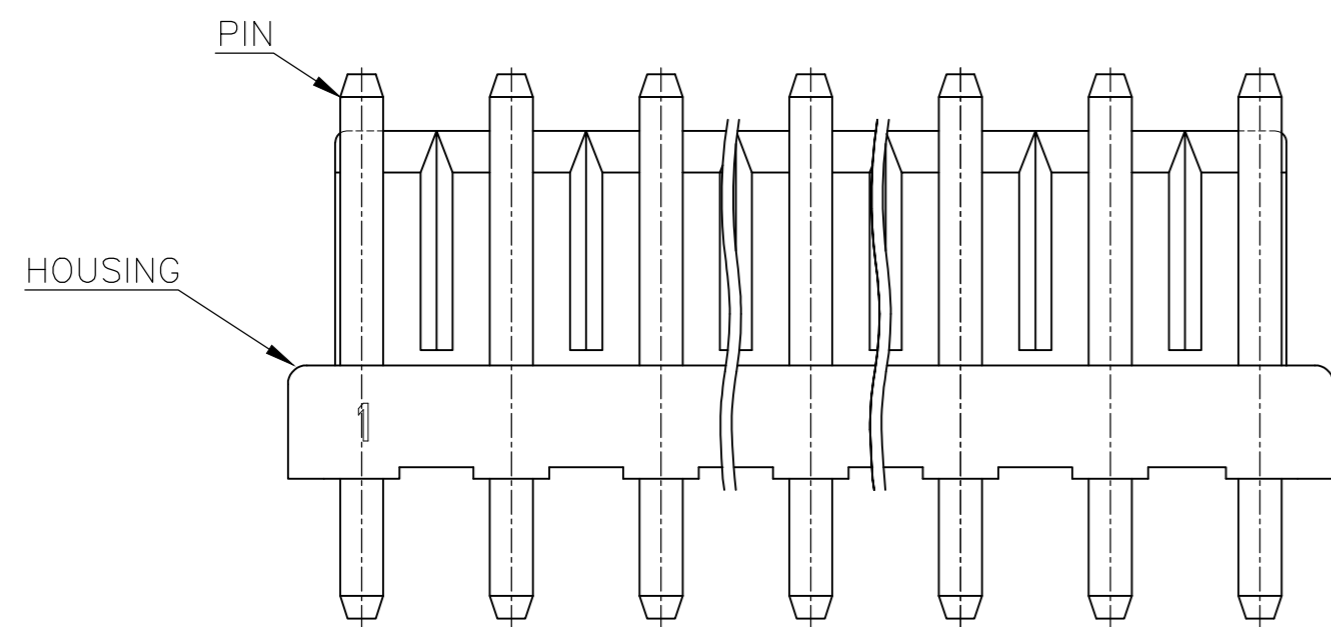


THIS DRAWING IS UNPUBLISHED. RELEASED FOR PUBLICATION  
 © COPYRIGHT - By - ALL RIGHTS RESERVED.

REVISIONS					
P	LTR	DESCRIPTION	DATE	DWN	APVD
AA4		REVISED PER ECR-18-005503	30MAY2018	BDA	SG



$\phi 1.60^{+0.1}_{-0.0}$  (PUNCHED HOLE)  
 $\phi 1.65^{+0.1}_{-0.0}$  (DRILLED HOLE)

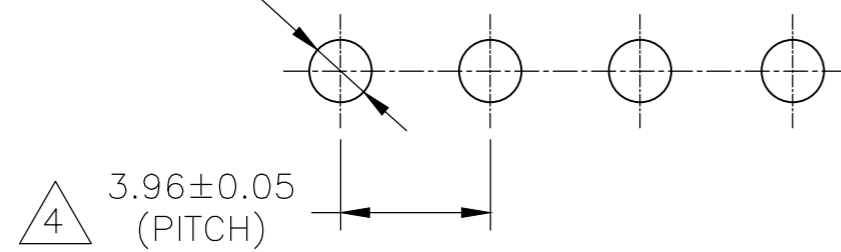


FIG.1

- 1 MATING CONN P/N: □-1123722-□
- 2 APPLICABLE P.C.B LAYOUT: SEE FIG. 1
- 3 APPLICABLE P.C.B THICKNESS: 1.60
- 4 SKETCHES SHOW NO PINS MISSING.
- 6 PIN: POST TIN OVER BRASS
- 7 HOUSING: PBT, 30% GLASS, UL94-V0.
- 8 ○ : WITH PIN,  
X : WITHOUT PIN.
- 10 SUPERSEDED BY 1744489-2.
- 11 SUPERSEDED BY 1744489-4.
- 12 SUPERSEDED BY 1744489-5.
- 13 SUPERSEDED BY 1744489-6.
- 14 SUPERSEDED BY 1744489-7.
- 15 SUPERSEDED BY 1744489-8.
- 16 SUPERSEDED BY 1744489-9.
- 17 SUPERSEDED BY 1-1744489-0.
- 18 SUPERSEDED BY 1-1744489-1.
- 19 VALUES FOR UL 61800-5-1

Flam	RTIe deg C	HWI	HAI	CTI
V0	130	PLC 2	PLC 4	PLC 2_UL746

THIS DRAWING IS A CONTROLLED DOCUMENT.		DWN N.YAMASAKI 13MAR'01	TE Connectivity	
DIMENSIONS: mm		CHK M.SHINDO 13MAR'01		
TOLERANCES UNLESS OTHERWISE SPECIFIED:		APVD Y.KASHIWA 13MAR'01	NAME 3.96MM PITCH ECONOMY POWER(EP) CONN HEADER ASSY	
0 PLC ±		PRODUCT SPEC 108-5609	SIZE A2	
1 PLC ± 0.50		APPLICATION SPEC	CAGE CODE 00779	
2 PLC ± 0.30		WEIGHT	DRAWING NO C=1123723	
3 PLC ±		FINISH	RESTRICTED TO	
4 PLC ±		SEE TABLE	SCALE 5:1	
ANGLES ±		SEE TABLE	SHEET 1 OF 2	
MATERIAL SEE TABLE		CUSTOMER DRAWING	REV AA4	

THIS DRAWING IS UNPUBLISHED. RELEASED FOR PUBLICATION  
 © COPYRIGHT - By - ALL RIGHTS RESERVED.

REVISIONS					
P	LTR	DESCRIPTION	DATE	DWN	APVD
-	-	SEE SHEET 1	-	-	-

PIN POSITION	DIMENSION	COLOR	POS	ASS'Y P/N
1	27.72	NATURAL	8	7-1123723-8
2	29.12	GREEN	8	6-1123723-8
3	31.62	BLACK	8	5-1123723-8
4		RED	8	4-1123723-8
5		BLUE	8	3-1123723-8
6		YELLOW	8	2-1123723-8
7		NATURAL	8	1-1123723-8
8		NATURAL	7	7-1123723-7
9		GREEN	7	6-1123723-7
10		BLACK	7	5-1123723-7
11		RED	7	4-1123723-7
12		BLUE	7	3-1123723-7
13		YELLOW	7	2-1123723-7
14		NATURAL	7	1-1123723-7
15		NATURAL	6	7-1123723-6
16		GREEN	6	6-1123723-6
17		BLACK	6	5-1123723-6
18		RED	6	4-1123723-6
19		BLUE	6	3-1123723-6
20		YELLOW	6	2-1123723-6
21		NATURAL	6	1-1123723-6
22		NATURAL	5	7-1123723-5
23		GREEN	5	6-1123723-5
24		BLACK	5	5-1123723-5
25		RED	5	4-1123723-5
26		BLUE	5	3-1123723-5
27		YELLOW	5	2-1123723-5
28		NATURAL	5	1-1123723-5
29		NATURAL	4	7-1123723-4
30		GREEN	4	6-1123723-4
31		BLACK	4	5-1123723-4
32		RED	4	4-1123723-4
33		BLUE	4	3-1123723-4
34		YELLOW	4	2-1123723-4
35		NATURAL	4	1-1123723-4
36		NATURAL	3	7-1123723-3
37		GREEN	3	6-1123723-3
38		BLACK	3	5-1123723-3
39		RED	3	4-1123723-3
40		BLUE	3	3-1123723-3
41		YELLOW	3	2-1123723-3
42		NATURAL	3	1-1123723-3
43		NATURAL	2	7-1123723-2
44		GREEN	2	6-1123723-2
45		BLACK	2	5-1123723-2
46		RED	2	4-1123723-2
47		BLUE	2	3-1123723-2
48		YELLOW	2	2-1123723-2
49		NATURAL	2	1-1123723-2

PIN POSITION	DIMENSION	COLOR	POS	ASS'Y P/N
1	39.60	NATURAL	11	8-1123723-1
2	41.00	GREEN	11	6-1123723-1
3	43.50	BLACK	11	5-1123723-1
4		RED	11	4-1123723-1
5		BLUE	11	3-1123723-1
6		YELLOW	11	2-1123723-1
7		NATURAL	11	1-1123723-1
8		NATURAL	10	7-1123723-0
9		GREEN	10	6-1123723-0
10		BLACK	10	5-1123723-0
11		RED	10	4-1123723-0
12		BLUE	10	3-1123723-0
13		YELLOW	10	2-1123723-0
14		NATURAL	10	1-1123723-0
15	31.68	NATURAL	9	7-1123723-9
16	33.08	GREEN	9	6-1123723-9
17	35.58	BLACK	9	5-1123723-9
18		RED	9	4-1123723-9
19		BLUE	9	3-1123723-9
20		YELLOW	9	2-1123723-9
21		NATURAL	9	1-1123723-9

THIS DRAWING IS A CONTROLLED DOCUMENT.

DWN: N.YAMASAKI 13MAR'01  
 CHK: M.SHINDO 13MAR'01  
 APVD: Y.KASHIWA 13MAR'01

TE Connectivity  
**STE**  
 3.96MM PITCH ECONOMY POWER(EP) CONN  
 HEADER ASSY

108-5609  
 APPLICATION SPEC

SIZE: A2 CAGE CODE: 00779 DRAWING NO: C=1123723 RESTRICTED TO: -  
 SCALE: 5:1 SHEET: 2 OF 2 REV: AA4

DIMENSIONS: mm TOLERANCES UNLESS OTHERWISE SPECIFIED:  
 0 PLC ±  
 1 PLC ± 0.50  
 2 PLC ± 0.30  
 3 PLC ±  
 4 PLC ±  
 ANGLES ±  
 FINISH SEE TABLE

MATERIAL: SEE TABLE WEIGHT: CUSTOMER DRAWING

## X-ON Electronics

Largest Supplier of Electrical and Electronic Components

*Click to view similar products for [Headers & Wire Housings](#) category:*

*Click to view products by [TE Connectivity](#) manufacturer:*

Other Similar products are found below :

[95000-104TRLF](#) [10135584-644402LF](#) [DF62W-EP2022PCA](#) [95000-106TRLF](#) [DF62W-2022SCA](#) [DF62W-EP2022PC](#) [2203348](#) [DF62W-2022SC](#) [1084018](#) [1029039](#) [1084017](#) [802-10-012-10-002000](#) [1112640](#) [1112639](#) [000-34000](#) [0009482033](#) [0009507031](#) [57102-S06-03LF](#) [57202-S52-04LF](#) [PCN6-15S-2.5E](#) [0039019024](#) [58102-G61-06LF](#) [582553-1](#) [0009508121](#) [0050291907](#) [018731A](#) [LY20-4P-DT1-P1E-BR](#) [02.125.8002.8](#) [60101931](#) [60598-1 \(Cut Strip\)](#) [M1625-3R/100](#) [61062-3](#) [61082-181009](#) [636-1427](#) [638009-1](#) [641938-9](#) [641991-4](#) [644168-1](#) [647662-1](#) [65039-019ELF](#) [65817-002LF](#) [65817-015LF](#) [65863-015LF](#) [66207-023LF](#) [67016-026LF](#) [67046-001LF](#) [67095-007LF](#) [68002-116](#) [68016-236H](#) [68648-049](#)