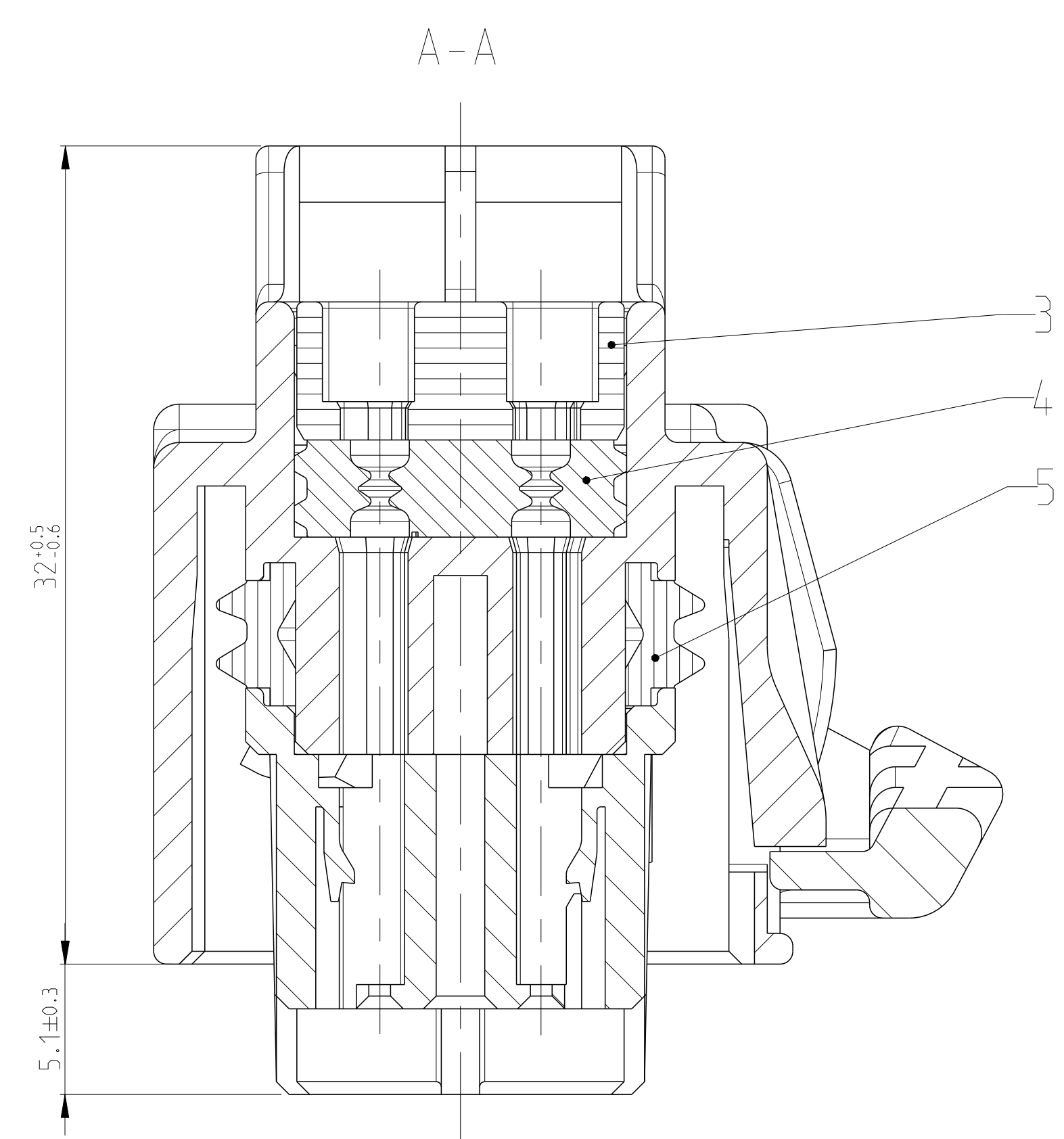
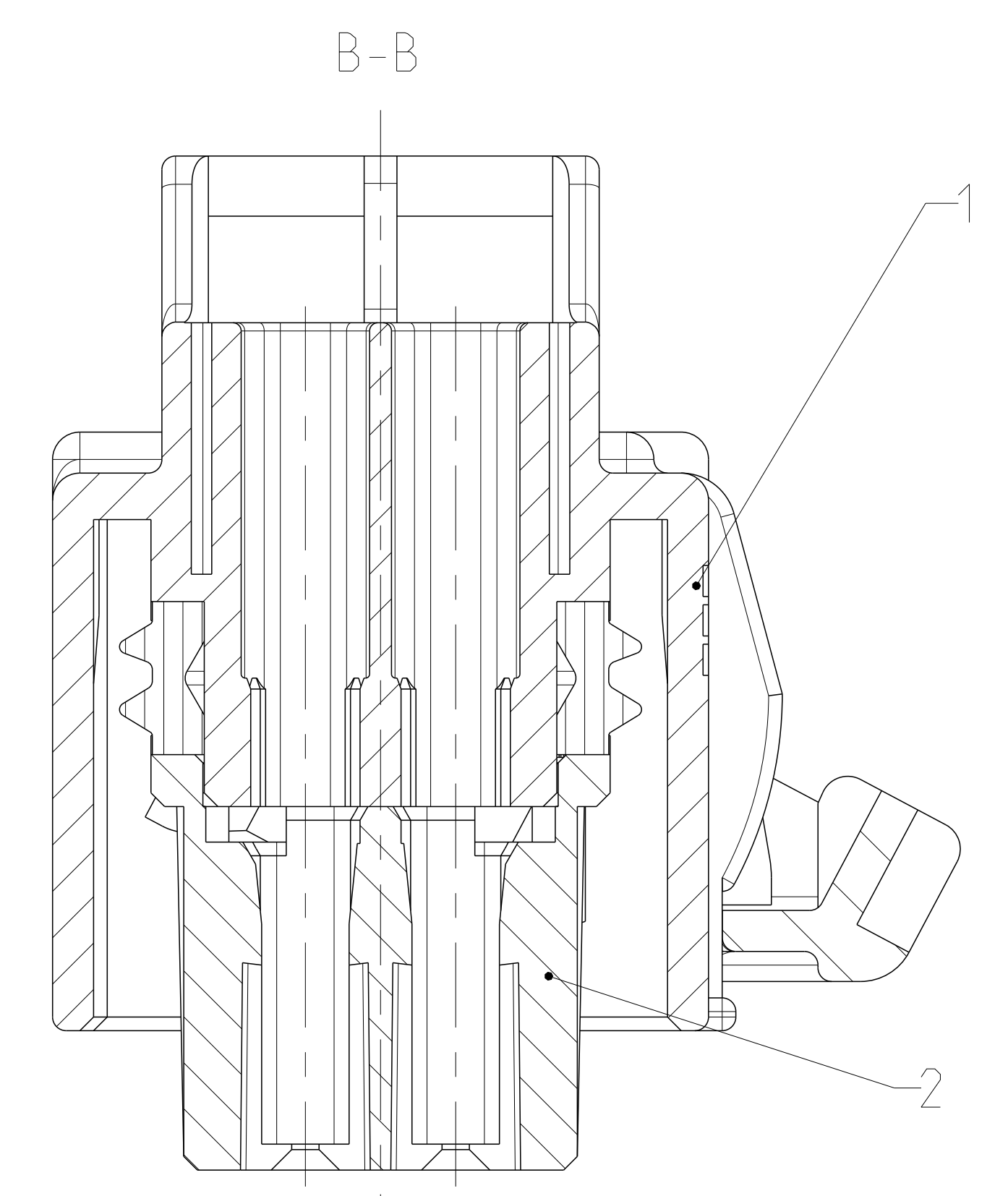
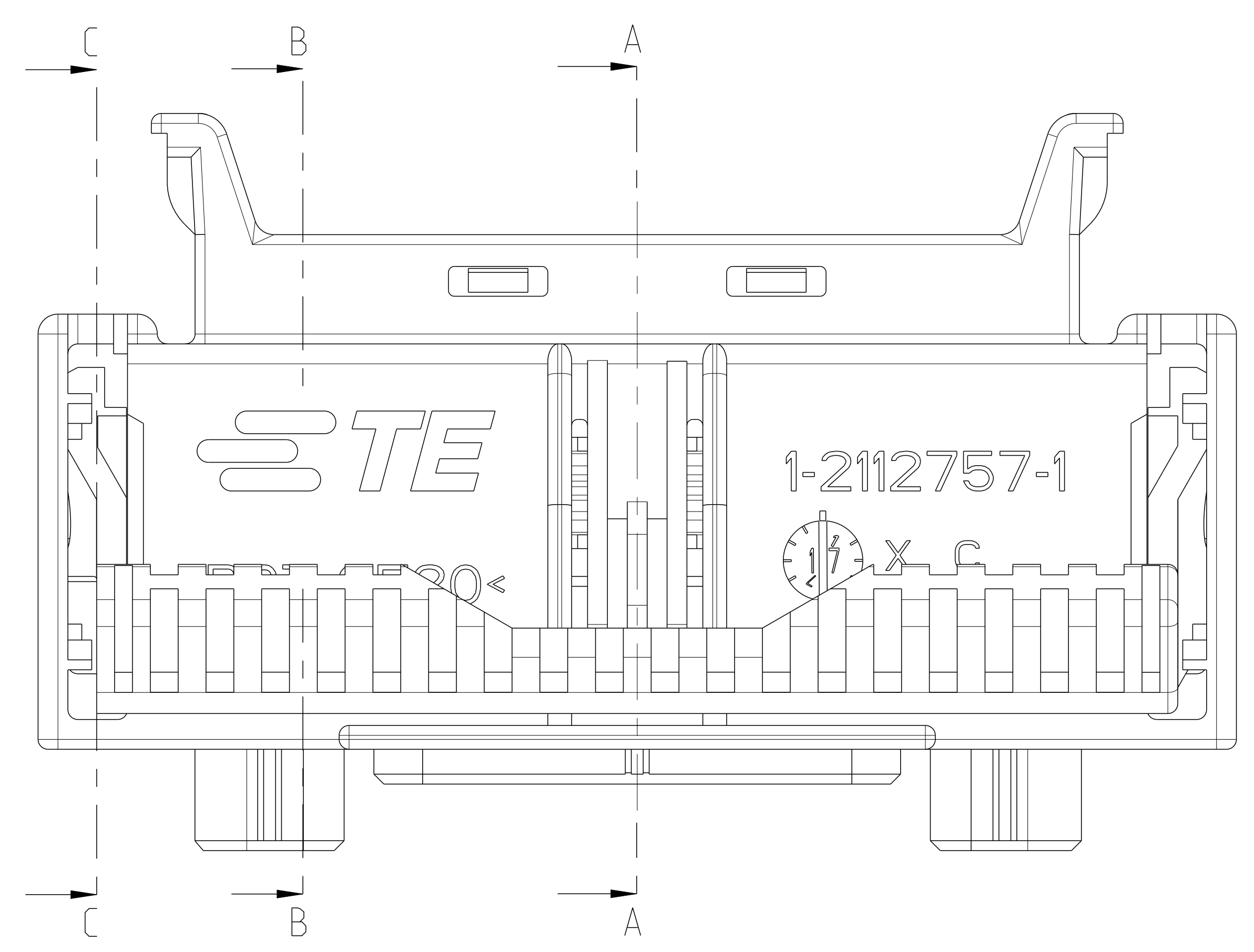
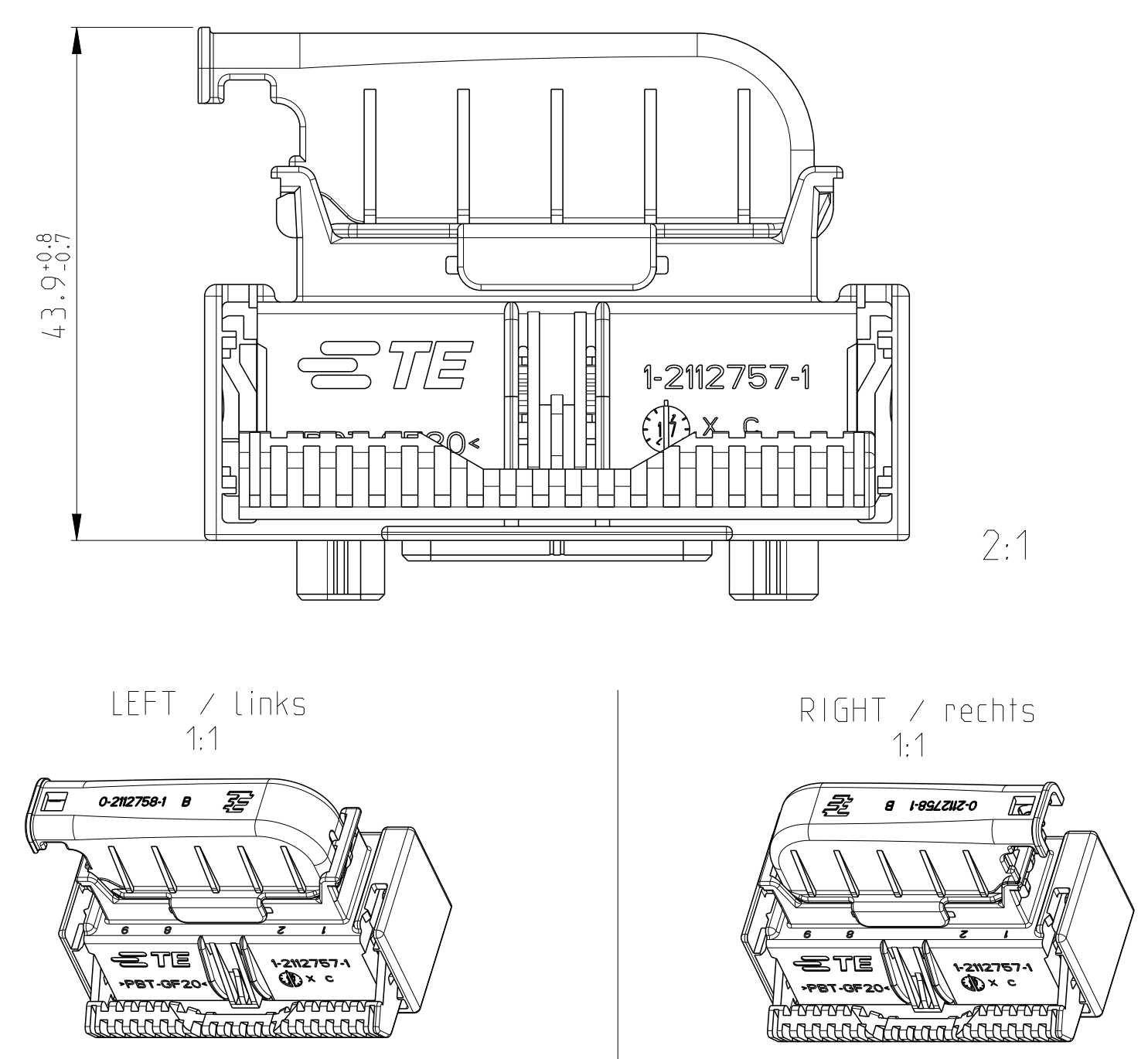
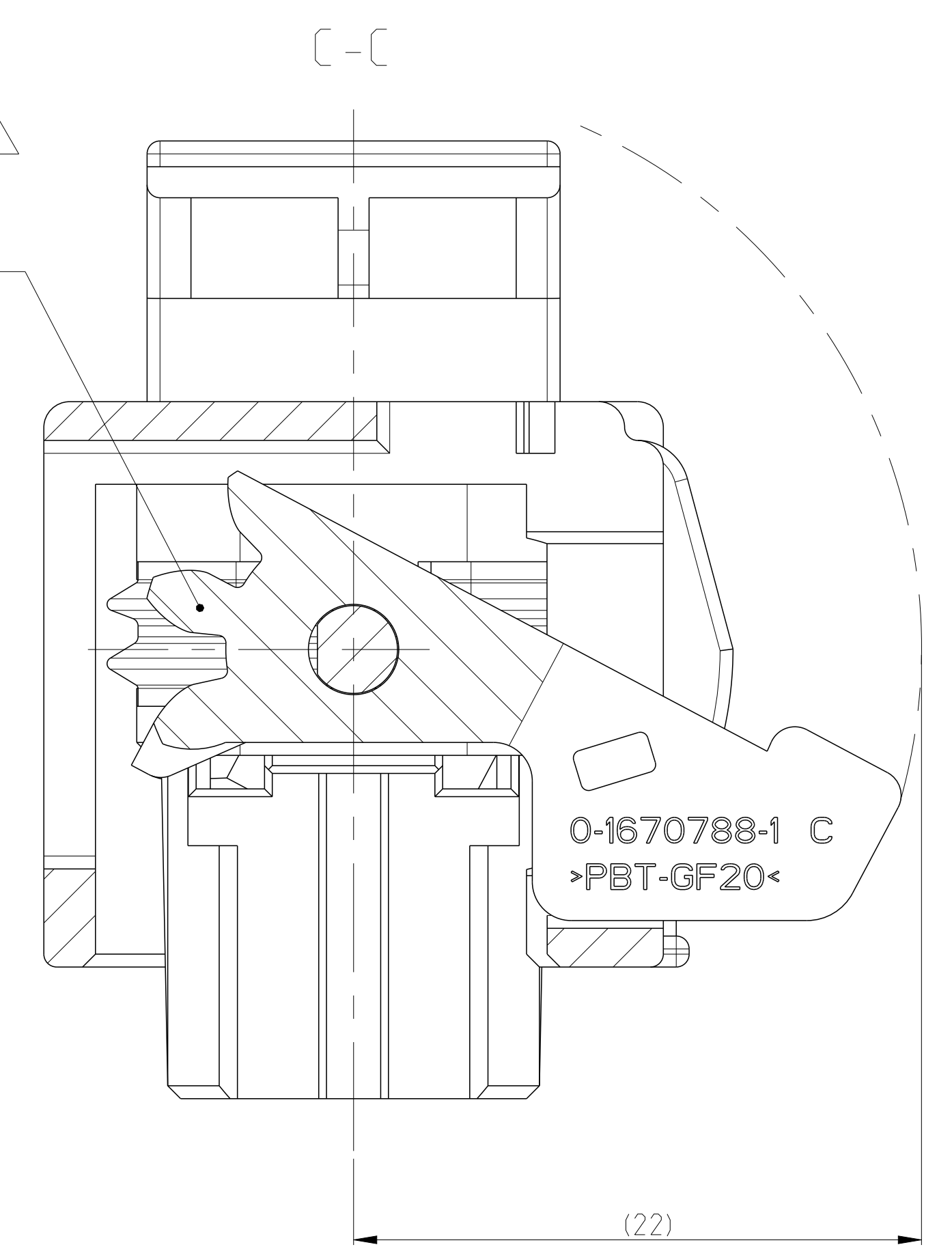
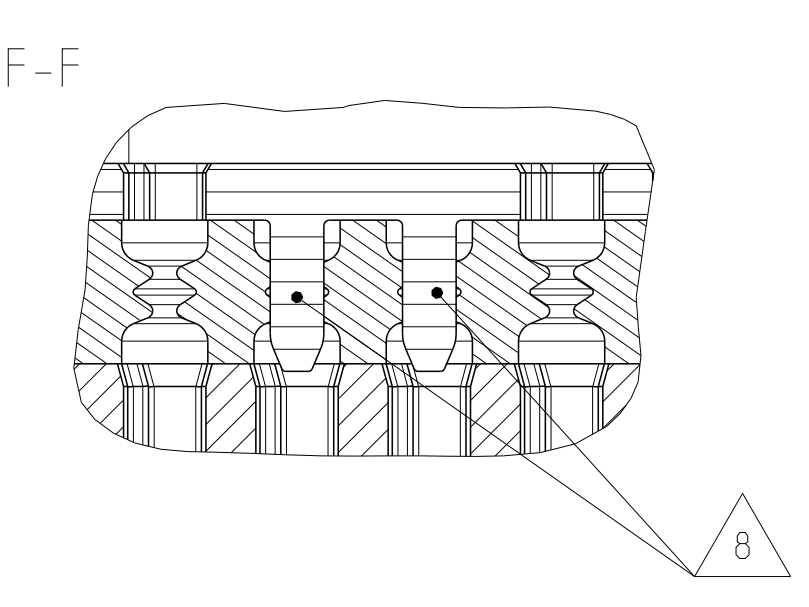
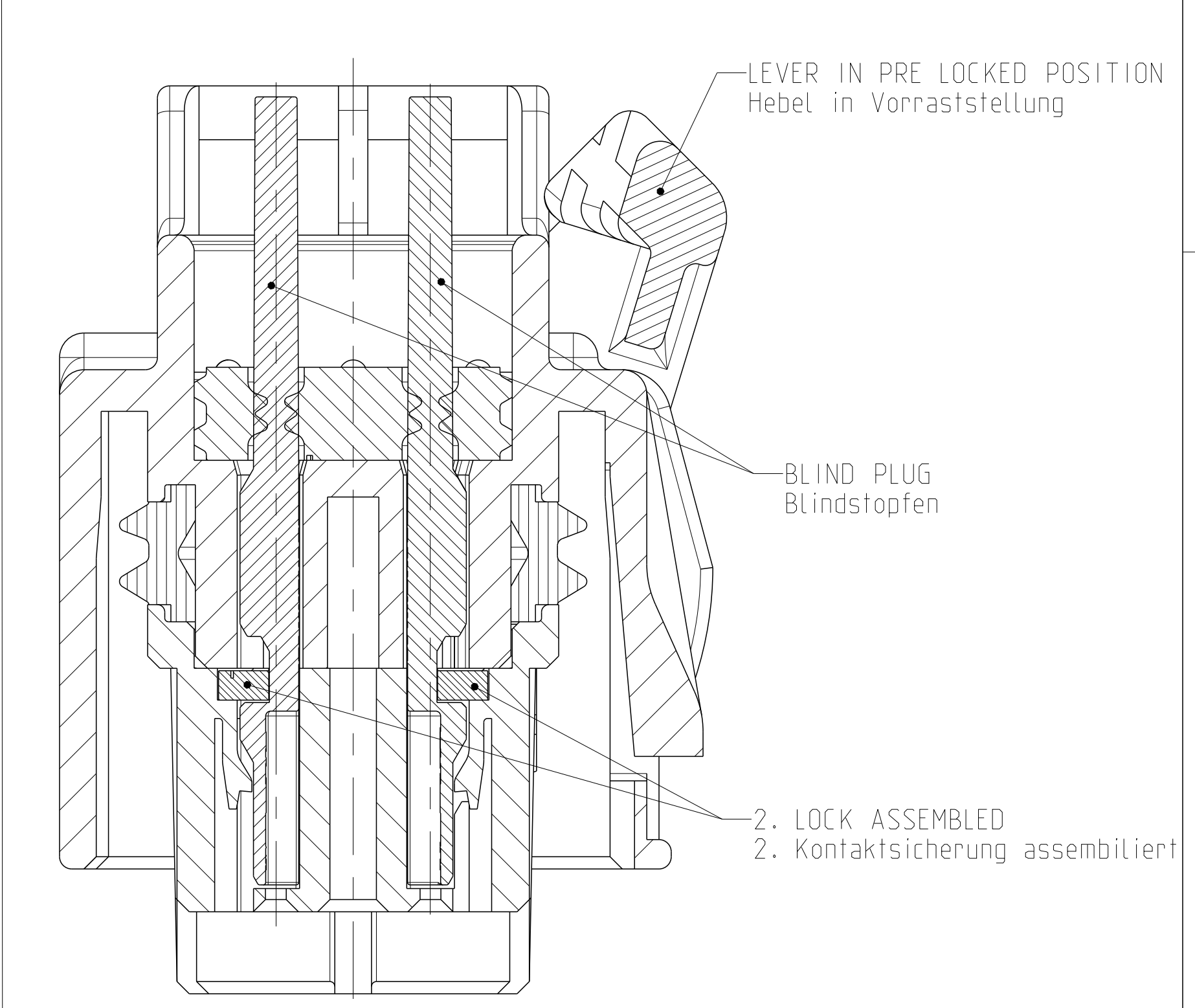


REV	DATE	BY	CHK	APPV	DESCRIPTION
F	27FEB2011	RM	PNJ		UPPER PART CHANGED
F1	22MAY2011	RM	PNJ		NOTE B ADDED
F2	02MAR2018	RM	PNJ		PART-NO. 5-2112780-0 ADDED
F3	11JAN2018	RM	PNJ		REVISIONS-TABLE ADAPTED

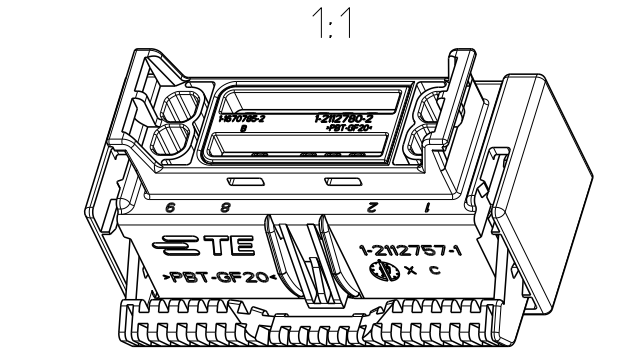
COVER FOR HOUSING
 LOOSE PIECE TE PN 0-2112758-1
 OPTIONAL LEFT OR RIGHT CLIP-ON
 Abdeckkappe fuer Buchsengehaeuse wird separat beigestellt TE NR. 0-2112758-1
 Abdeckkappe optional links oder rechts aufsteckbar



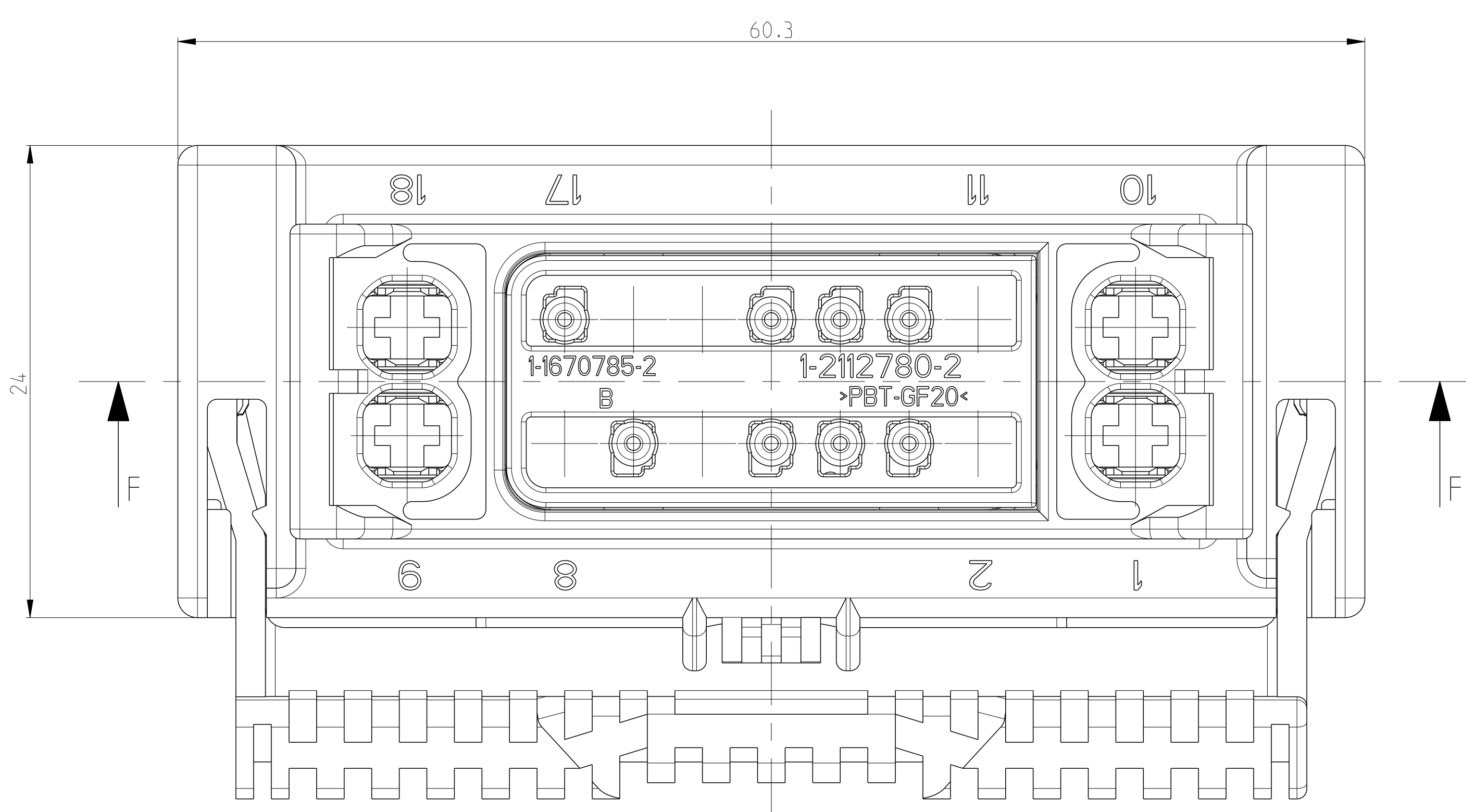
8
 INSTALLATION POSITION ACC. INSERTION OF THE CONTACTS/BLIND PLUG AND THE 2-LOCK
 Einbaustellung nach der Bestueckung von den Kontakten/Blindstopfen und der 2-Kontaktsicherung



- NOTES:
Bemerkungen:
- PACKAGING: LOOSE PIECE INTO CARTON
Verpackung: Schuettpgut in Karton
 - 2-LOCK SEE TE DRAWING NO.1670789
COVER SEE TE DRAWING NO.2112758
2.Kontaktsicherung siehe TE Zeichnung Nr.1670789
Abdeckkappe siehe TE Zeichnung Nr.2112758
 - CAVITY 1, 9, 10 AND 18 SUITABLE FOR CONTACT:
2.8mm SENSOR FLAT CONTACT
0967543 (STRIP) OR 0967717 (LOOSE PIECE) +1.5mm² TO 2.5mm²
AND 0828905 (SINGLE WIRE SEAL) INSULATION DIA. 2.2mm TO 3.0mm
Kammer 1, 9, 10 und 18 passend fuer Kontakt:
2.8mm Sensor-Flachkontakt
0967543 (Band) oder 0967717 (vereinzel) +1,5mm² bis 2,5mm²
und 0828905 (Einzeldichtung) Isolationsdurchmesser 2,2mm bis 3,0mm
 - CAVITY 2 TO 8 AND 11 TO 17 SUITABLE FOR CONTACT:
MCN-1.2 CLEAN BODY
1534594 (STRIP) OR 1534595 (LOOSE PIECE) 0.35mm²
INSULATION DIA. 1.3mm TO 1.75mm
1670144 (STRIP) OR 1670145 (LOOSE PIECE) 0.5mm² TO 0.75mm²
INSULATION DIA. 1.4mm TO 1.9mm
Kammer 2 bis 8 und 11 bis 17 passend fuer Kontakt:
MCN-1.2 CLEAN BODY
1534594 (Band) und 1534595 (vereinzel) 0,35mm²
Isolationsdurchmesser: 1,3mm bis 1,75mm
1670144 (Band) und 1670145 (vereinzel) 0,5mm² bis 0,75mm²
Isolationsdurchmesser 1,4mm bis 1,9mm
 - CONTACT SURFACE ACCORDING TO MATING CONNECTOR
Kontaktoberflaeche entsprechend dem Gegenstecker



AS SHOWN (DELIVERY CONDITION)
WIE GEZEICHNET (Anlieferungszustand)



THIS DRAWING IS A CONTROLLED DOCUMENT.		DATE: 02MAR2010	BY: Nickelfeld	CHK: 09APR2010	APPV: 09APR2010
DIMENSIONS: (mm)	TOLERANCES UNLESS OTHERWISE SPECIFIED: (mm)	PROJ. NO: 114-18853	PRODUCT SPEC: 114-18853	APPROX. QTY: 100-94094	SCALE: 5:1
MATERIAL: PBT-GF20<	FINISH: -	REQUIR: -	WEIGHT: -	SIZE: 00779	RESTRICTION: -
CUSTOMER DRAWING		DRAWING NO: 114-18853		SHEET 1 OF 2	

CD.	REV.	TE ASSY NO.	CLOSED CAVITIES	VERSION	QTY	DESCRIPTION	MATERIAL	COLOUR	ITEM NO.			
A	F	4-2112780-6	12	16	1	LEVER	PBT-GF20	BLACK	6			
					1	RADIAL SEAL	ELASTOSIL	NATURE	5			
					1	FAMILY SEAL, MCON-1.2 CB	ELASTOSIL	NATURE	4			
					1	COVER FAMILY SEAL, MCON-1.2 CB	PBT-GF20	BLACK	3			
					1	18POS. MIXED REC HSG, LOWER PART	PBT-GF30	BLACK	2			
					1	18POS. MIXED REC HSG, UPPER PART	PBT-GF20	BLACK	1			
A	F	4-2112780-5	3	12	16	1	LEVER	PBT-GF20	BLACK	6		
					1	RADIAL SEAL	ELASTOSIL	NATURE	5			
					1	FAMILY SEAL, MCON-1.2 CB	ELASTOSIL	NATURE	4			
					1	COVER FAMILY SEAL, MCON-1.2 CB	PBT-GF20	BLACK	3			
					1	18POS. MIXED REC HSG, LOWER PART	PBT-GF30	BLACK	2			
					1	18POS. MIXED REC HSG, UPPER PART	PBT-GF20	BLACK	1			
A	F	4-2112780-4	3	12	14	16	1	LEVER	PBT-GF20	BLACK	6	
					1	RADIAL SEAL	ELASTOSIL	NATURE	5			
					1	FAMILY SEAL, MCON-1.2 CB	ELASTOSIL	NATURE	4			
					1	COVER FAMILY SEAL, MCON-1.2 CB	PBT-GF20	BLACK	3			
					1	18POS. MIXED REC HSG, LOWER PART	PBT-GF30	BLACK	2			
					1	18POS. MIXED REC HSG, UPPER PART	PBT-GF20	BLACK	1			
A	F	4-2112780-3	5	6	7	15	16	1	LEVER	PBT-GF20	BLACK	6
					1	RADIAL SEAL	ELASTOSIL	NATURE	5			
					1	FAMILY SEAL, MCON-1.2 CB	ELASTOSIL	NATURE	4			
					1	COVER FAMILY SEAL, MCON-1.2 CB	PBT-GF20	BLACK	3			
					1	18POS. MIXED REC HSG, LOWER PART	PBT-GF30	BLACK	2			
					1	18POS. MIXED REC HSG, UPPER PART	PBT-GF20	BLACK	1			
A	F	4-2112780-2	2	8	11	15	1	LEVER	PBT-GF20	BLACK	6	
					1	RADIAL SEAL	ELASTOSIL	NATURE	5			
					1	FAMILY SEAL, MCON-1.2 CB	ELASTOSIL	NATURE	4			
					1	COVER FAMILY SEAL, MCON-1.2 CB	PBT-GF20	BLACK	3			
					1	18POS. MIXED REC HSG, LOWER PART	PBT-GF30	BLACK	2			
					1	18POS. MIXED REC HSG, UPPER PART	PBT-GF20	BLACK	1			
A	F	4-2112780-1	2	3	11	16	1	LEVER	PBT-GF20	BLACK	6	
					1	RADIAL SEAL	ELASTOSIL	NATURE	5			
					1	FAMILY SEAL, MCON-1.2 CB	ELASTOSIL	NATURE	4			
					1	COVER FAMILY SEAL, MCON-1.2 CB	PBT-GF20	BLACK	3			
					1	18POS. MIXED REC HSG, LOWER PART	PBT-GF30	BLACK	2			
					1	18POS. MIXED REC HSG, UPPER PART	PBT-GF20	BLACK	1			
A	F	4-2112780-0	16	1	1	1	1	LEVER	PBT-GF20	BLACK	6	
					1	RADIAL SEAL	ELASTOSIL	NATURE	5			
					1	FAMILY SEAL, MCON-1.2 CB	ELASTOSIL	NATURE	4			
					1	COVER FAMILY SEAL, MCON-1.2 CB	PBT-GF20	BLACK	3			
					1	18POS. MIXED REC HSG, LOWER PART	PBT-GF30	BLACK	2			
					1	18POS. MIXED REC HSG, UPPER PART	PBT-GF20	BLACK	1			
A	F	3-2112780-9	5	8	15	16	17	1	LEVER	PBT-GF20	BLACK	6
					1	RADIAL SEAL	ELASTOSIL	NATURE	5			
					1	FAMILY SEAL, MCON-1.2 CB	ELASTOSIL	NATURE	4			
					1	COVER FAMILY SEAL, MCON-1.2 CB	PBT-GF20	BLACK	3			
					1	18POS. MIXED REC HSG, LOWER PART	PBT-GF30	BLACK	2			
					1	18POS. MIXED REC HSG, UPPER PART	PBT-GF20	BLACK	1			
A	F	3-2112780-8	11	1	1	1	1	LEVER	PBT-GF20	BLACK	6	
					1	RADIAL SEAL	ELASTOSIL	NATURE	5			
					1	FAMILY SEAL, MCON-1.2 CB	ELASTOSIL	NATURE	4			
					1	COVER FAMILY SEAL, MCON-1.2 CB	PBT-GF20	BLACK	3			
					1	18POS. MIXED REC HSG, LOWER PART	PBT-GF30	BLACK	2			
					1	18POS. MIXED REC HSG, UPPER PART	PBT-GF20	BLACK	1			
A	F	3-2112780-7	2	11	12	1	1	LEVER	PBT-GF20	BLACK	6	
					1	RADIAL SEAL	ELASTOSIL	NATURE	5			
					1	FAMILY SEAL, MCON-1.2 CB	ELASTOSIL	NATURE	4			
					1	COVER FAMILY SEAL, MCON-1.2 CB	PBT-GF20	BLACK	3			
					1	18POS. MIXED REC HSG, LOWER PART	PBT-GF30	BLACK	2			
					1	18POS. MIXED REC HSG, UPPER PART	PBT-GF20	BLACK	1			
A	F	3-2112780-6	2	11	12	14	16	1	LEVER	PBT-GF20	BLACK	6
					1	RADIAL SEAL	ELASTOSIL	NATURE	5			
					1	FAMILY SEAL, MCON-1.2 CB	ELASTOSIL	NATURE	4			
					1	COVER FAMILY SEAL, MCON-1.2 CB	PBT-GF20	BLACK	3			
					1	18POS. MIXED REC HSG, LOWER PART	PBT-GF30	BLACK	2			
					1	18POS. MIXED REC HSG, UPPER PART	PBT-GF20	BLACK	1			
A	F	3-2112780-5	4	15	16	1	1	LEVER	PBT-GF20	BLACK	6	
					1	RADIAL SEAL	ELASTOSIL	NATURE	5			
					1	FAMILY SEAL, MCON-1.2 CB	ELASTOSIL	NATURE	4			
					1	COVER FAMILY SEAL, MCON-1.2 CB	PBT-GF20	BLACK	3			
					1	18POS. MIXED REC HSG, LOWER PART	PBT-GF30	BLACK	2			
					1	18POS. MIXED REC HSG, UPPER PART	PBT-GF20	BLACK	1			
A	F	3-2112780-4	2	15	16	1	1	LEVER	PBT-GF20	BLACK	6	
					1	RADIAL SEAL	ELASTOSIL	NATURE	5			
					1	FAMILY SEAL, MCON-1.2 CB	ELASTOSIL	NATURE	4			
					1	COVER FAMILY SEAL, MCON-1.2 CB	PBT-GF20	BLACK	3			
					1	18POS. MIXED REC HSG, LOWER PART	PBT-GF30	BLACK	2			
					1	18POS. MIXED REC HSG, UPPER PART	PBT-GF20	BLACK	1			
A	F	3-2112780-3	2	6	11	15	1	LEVER	PBT-GF20	BLACK	6	
					1	RADIAL SEAL	ELASTOSIL	NATURE	5			
					1	FAMILY SEAL, MCON-1.2 CB	ELASTOSIL	NATURE	4			
					1	COVER FAMILY SEAL, MCON-1.2 CB	PBT-GF20	BLACK	3			
					1	18POS. MIXED REC HSG, LOWER PART	PBT-GF30	BLACK	2			
					1	18POS. MIXED REC HSG, UPPER PART	PBT-GF20	BLACK	1			
A	F	3-2112780-2	2	11	16	1	1	LEVER	PBT-GF20	BLACK	6	
					1	RADIAL SEAL	ELASTOSIL	NATURE	5			
					1	FAMILY SEAL, MCON-1.2 CB	ELASTOSIL	NATURE	4			
					1	COVER FAMILY SEAL, MCON-1.2 CB	PBT-GF20	BLACK	3			
					1	18POS. MIXED REC HSG, LOWER PART	PBT-GF30	BLACK	2			
					1	18POS. MIXED REC HSG, UPPER PART	PBT-GF20	BLACK	1			
A	F	3-2112780-1	2	11	1	1	1	LEVER	PBT-GF20	BLACK	6	
					1	RADIAL SEAL	ELASTOSIL	NATURE	5			
					1	FAMILY SEAL, MCON-1.2 CB	ELASTOSIL	NATURE	4			
					1	COVER FAMILY SEAL, MCON-1.2 CB	PBT-GF20	BLACK	3			
					1	18POS. MIXED REC HSG, LOWER PART	PBT-GF30	BLACK	2			
					1	18POS. MIXED REC HSG, UPPER PART	PBT-GF20	BLACK	1			

TE CONNECTIVITY
 18POS. MIXED REC HSG, ASSY
 18polig Buchsengehäuse Assy

THIS DRAWING IS A CONTROLLED DOCUMENT.
 DIMENSIONS: (mm)
 FINISH: (mm)
 MATERIAL: (mm)

DATE: 09APR2010
 DRAWN BY: J. D. DUNN
 CHECKED BY: J. D. DUNN
 APPROVED BY: J. D. DUNN

SCALE: 5:1
 SHEET: 2 of 2
 REF: F3

X-ON Electronics

Largest Supplier of Electrical and Electronic Components

Click to view similar products for [Automotive Connectors](#) category:

Click to view products by [TE Connectivity](#) manufacturer:

Other Similar products are found below :

[003-018-000](#) [60403001](#) [60993906-B](#) [M902-2131](#) [M902-2161](#) [72.330.1035.1](#) [73.353.4028.0](#) [F119300-B](#) [F166900](#) [F258300-B](#) [F358300-B](#)
[F407400](#) [F444110](#) [F487000](#) [F509500B-B](#) [827153-1](#) [8N1515-32-24P](#) [9-1326729-8](#) [925474-1](#) [928905-1](#) [964562-4](#) [968782-1](#) [GT17SA-8DS-](#)
[HU](#) [98891-1012](#) [98947-1016](#) [12004147](#) [12004475-L](#) [12010290](#) [12010309-B](#) [12015454](#) [12020219-B](#) [12020308](#) [12041318-B](#) [12052225-L](#)
[12052466](#) [12059125](#) [12064869](#) [12004327-B](#) [12010503-B](#) [12015308](#) [12015384](#) [12015909](#) [1-21030-1](#) [12041254](#) [12041318](#) [12047946-B](#)
[12047957](#) [12047957-L](#) [12059473](#) [12066261](#)