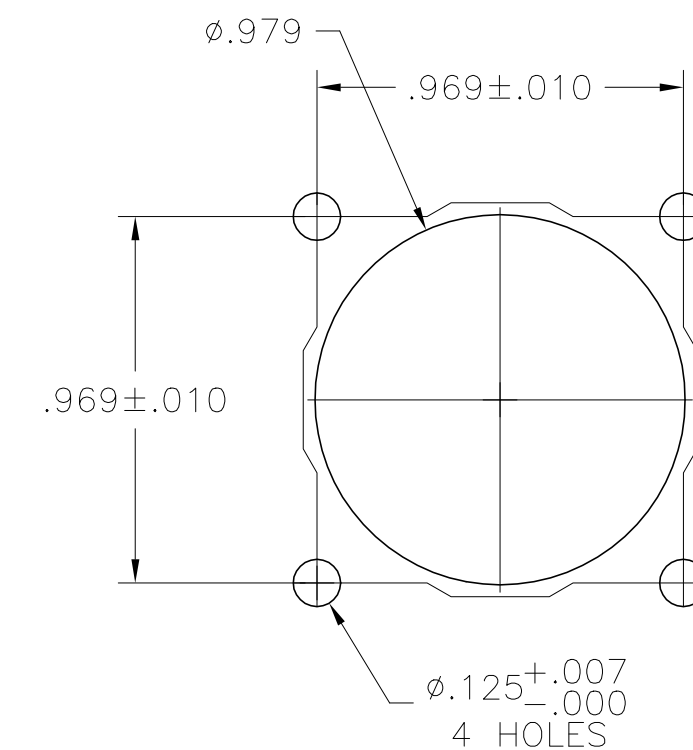
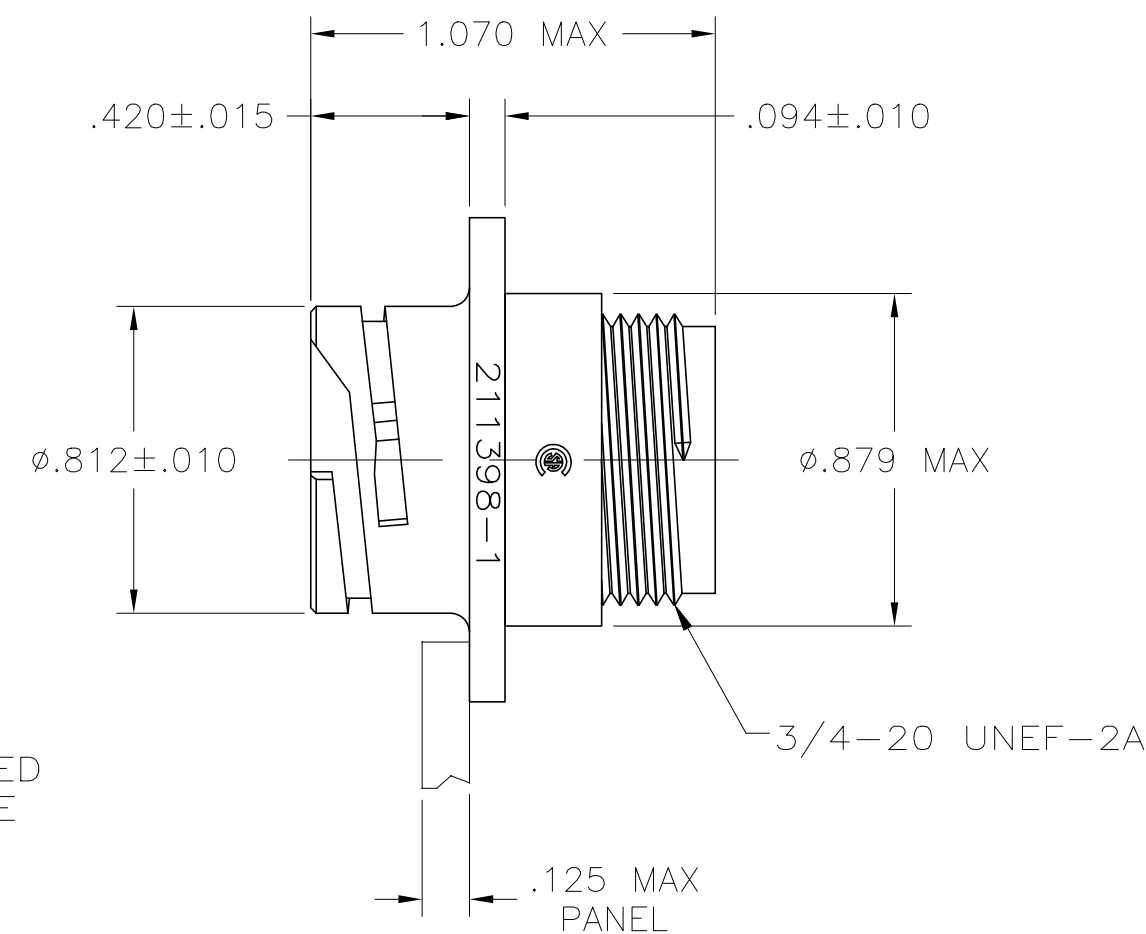
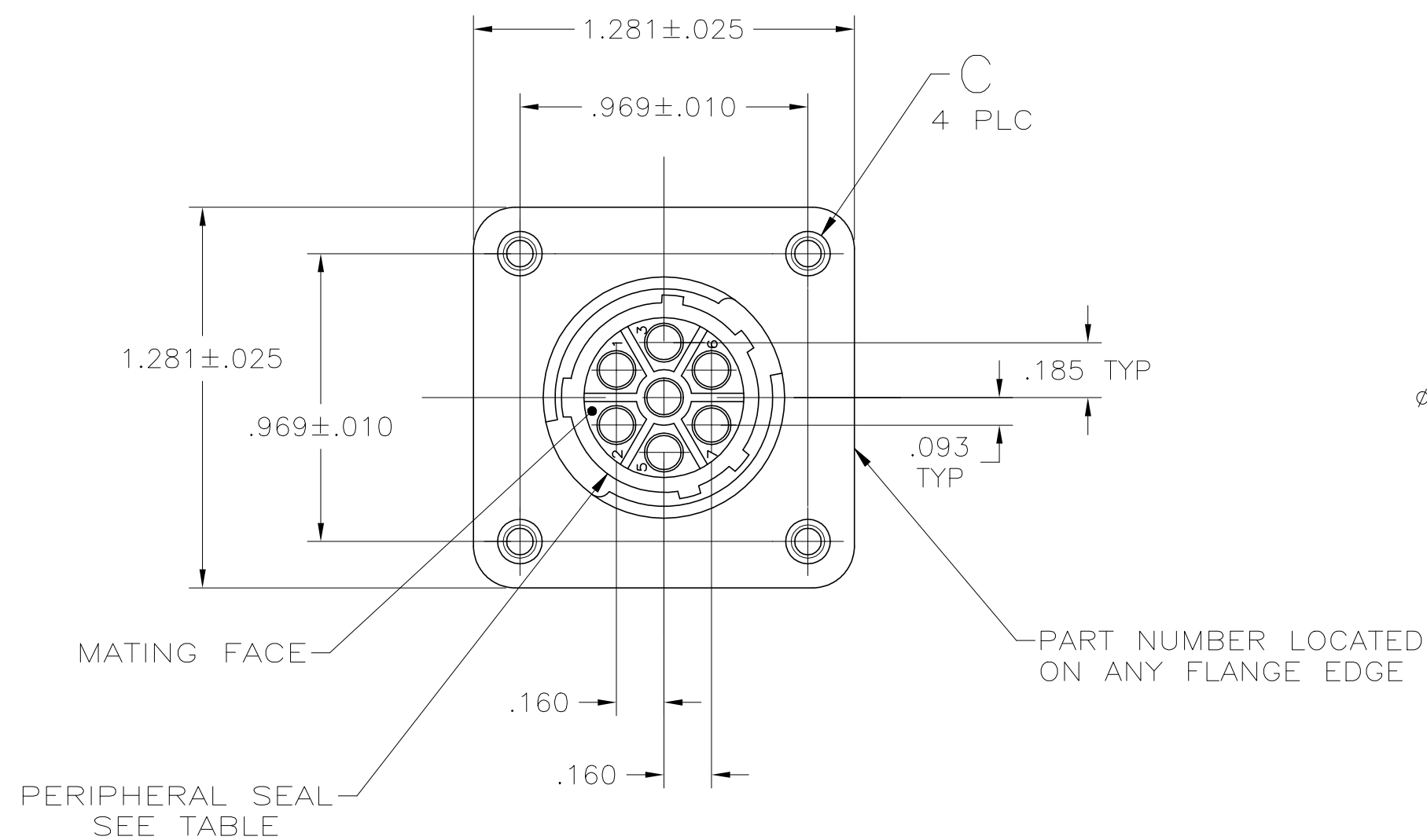


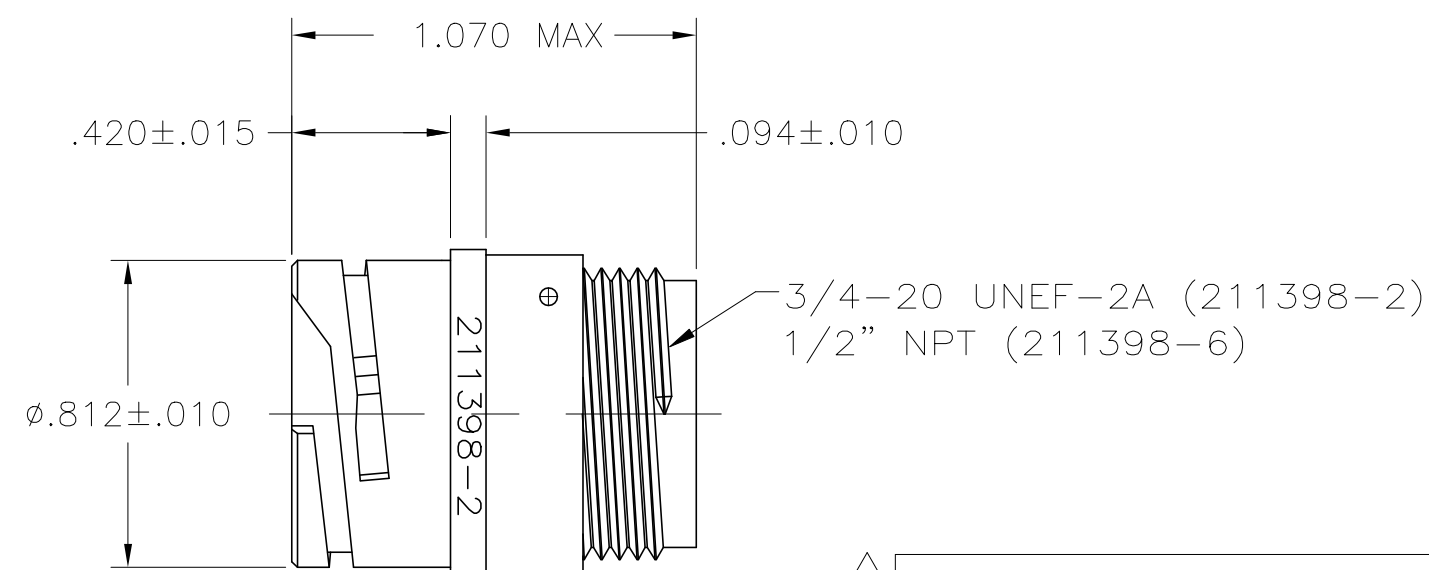
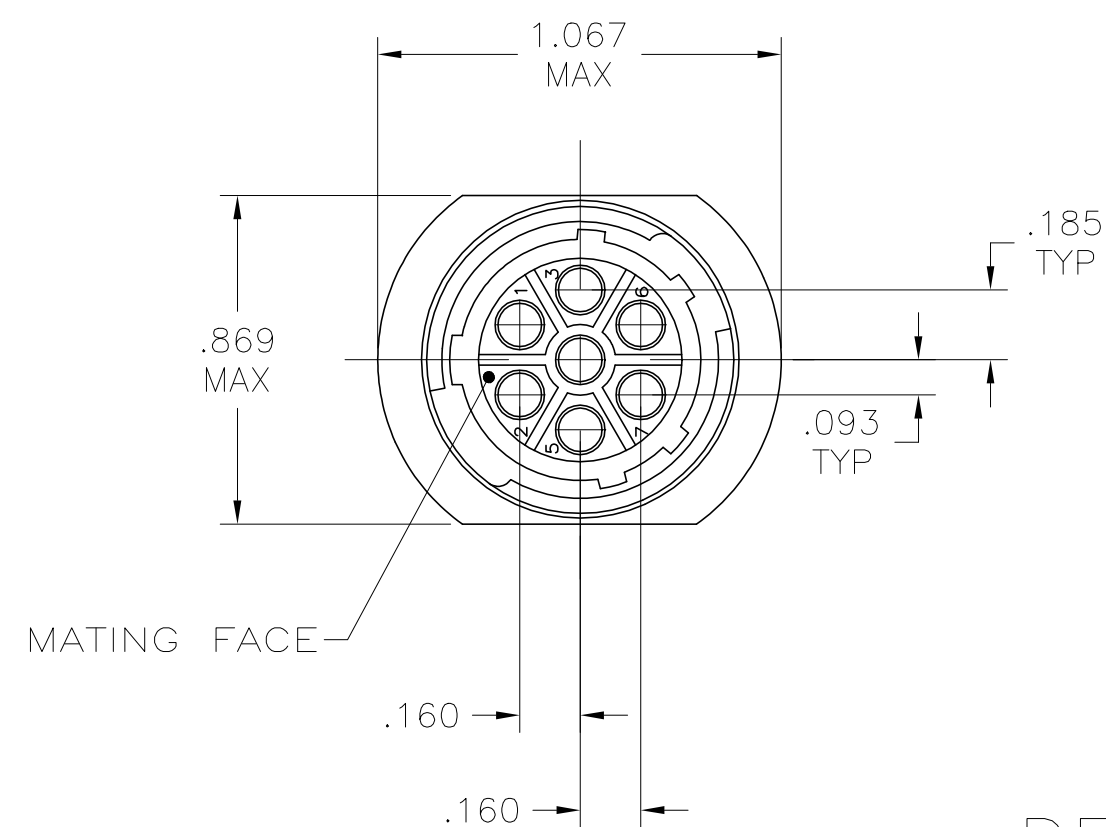
THIS DRAWING IS UNPUBLISHED. RELEASED FOR PUBLICATION
 © COPYRIGHT - By - ALL RIGHTS RESERVED.

| REVISIONS | | | | | |
|-----------|-----|---------------------------|-----------|-----|------|
| P | LTR | DESCRIPTION | DATE | DWN | APVD |
| L | | REVISED PER ECO-17-000037 | 10MAR2017 | RS | MZ |
| M | | REVISED PER ECO-18-018811 | 30NOV2018 | RS | MZ |
| N | | REVISED PER ECO-19-011876 | 09AUG2019 | RS | MZ |



RECOMMENDED PANEL CUTOUT

DETAIL A



DETAIL B

| | | | | |
|---|-----------------------|-----------------|------------|-------------|
| 3 | - | NO | B | 211398-6 |
| 3 | 4-40 THREADED INSERTS | YES | A | 211398-5 |
| | 4-40 THREADED INSERTS | NO | A | 211398-4 |
| | Ø.125±.005 | YES | A | 211398-3 |
| | - | NO | B | 211398-2 |
| | Ø.125±.005 | NO | A | 211398-1 |
| C | | PERIPHERAL SEAL | SEE DETAIL | PART NUMBER |

NOTES:

- CAVITY IDENTIFICATION ON FRONT AND REAR FACE.
 - WILL ACCEPT SEVEN (7) MULTIMATE SOCKET CONTACTS.
- ⚠ OBSOLETE PART NUMBER.

4 COMPARATIVE TRACKING INDEX OF HOUSING MATERIAL PER UL746A=400 MIN.

| DIMENSIONS: | | TOLERANCES UNLESS OTHERWISE SPECIFIED: | | DWN | | CHK | | APVD | | NAME | |
|-------------|--|--|--|------------------|--|------------------|--|--------------------|--|---|--|
| INCHES | | 0 PLC ± - | | D.HARDY 07-27-94 | | R.STONE 08-10-94 | | A.FRANTUM 10-03-94 | | TE Connectivity Ltd. | |
| MATERIAL | | 1 PLC ± - | | NYLON, BLACK | | PRODUCT SPEC | | APPLICATION SPEC | | RECEPTACLE, HOUSING, REVERSE SEX, 13-7, CPC | |
| FINISH | | 2 PLC ± .005 | | - | | WEIGHT | | SCALE | | RESTRICTED TO | |
| - | | 3 PLC ± - | | - | | - | | A2 00779 | | - | |
| - | | 4 PLC ± - | | - | | CUSTOMER DRAWING | | C=211398 | | - | |
| - | | ANGLES ± '30' | | - | | SCALE 2:1 | | SHEET 1 of 1 | | REV N | |

X-ON Electronics

Largest Supplier of Electrical and Electronic Components

Click to view similar products for [Standard Circular Connector](#) category:

Click to view products by [TE Connectivity](#) manufacturer:

Other Similar products are found below :

[5M2530B10P](#) [600259N006](#) [600273N007](#) [6134-336-13149](#) [6134-337-11149](#) [6134-337-2390](#) [6134-341-17149](#) [6280-4SG-516](#) [6280-7SG-3DC](#)
[6290](#) [6291A](#) [66200A-10](#) [680-SMG](#) [681-PMG](#) [CXS3102A14S2P](#) [CXS3102A181S](#) [7271-6SG-300](#) [7282-3PG-300-CH3](#) [75-474618-01S](#) [75-](#)
[474618-04P](#) [75-474618-04S](#) [799539-000](#) [MI8-SE](#) [805-005-07NF11-19PC](#) [805-005-07NF15-7PA](#) [8280-4PG-516](#) [8280-7PG-519](#) [8282-5PG-](#)
[519](#) [836783-1](#) [MP-4102-25P-C](#) [862256-1](#) [864019-2](#) [866857-1](#) [867865-1](#) [PT01SP-14-18P](#) [PT08P-14-5S](#) [120-1833-000](#)
[QCM019PC2DC012B](#) [1-2069279-1](#) [121583-0217](#) [121667-0020](#) [129591AU](#) [1000B BULK](#) [RD10A16-19-P6CS051/1](#) [RD10A20-31-](#)
[P8CS051/1](#) [RD16A14-12-S6CS051/2](#) [1301240290](#) [1301240347](#) [1301860202](#) [1301240268](#) [1301240275](#)