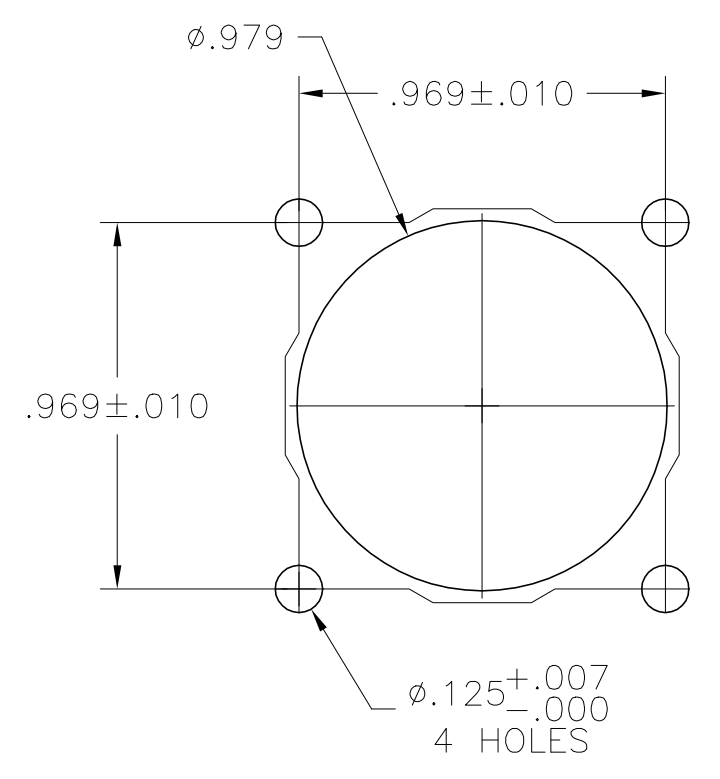
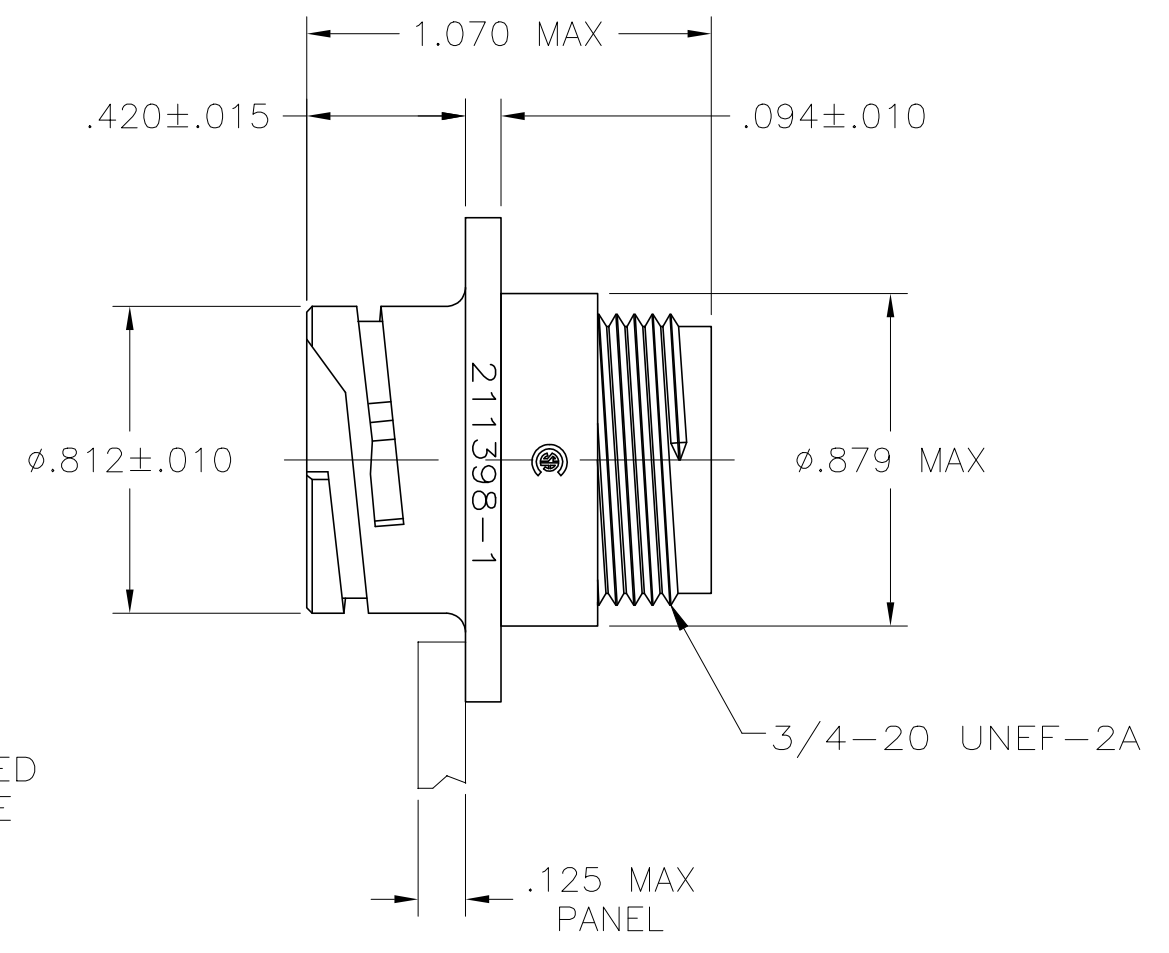
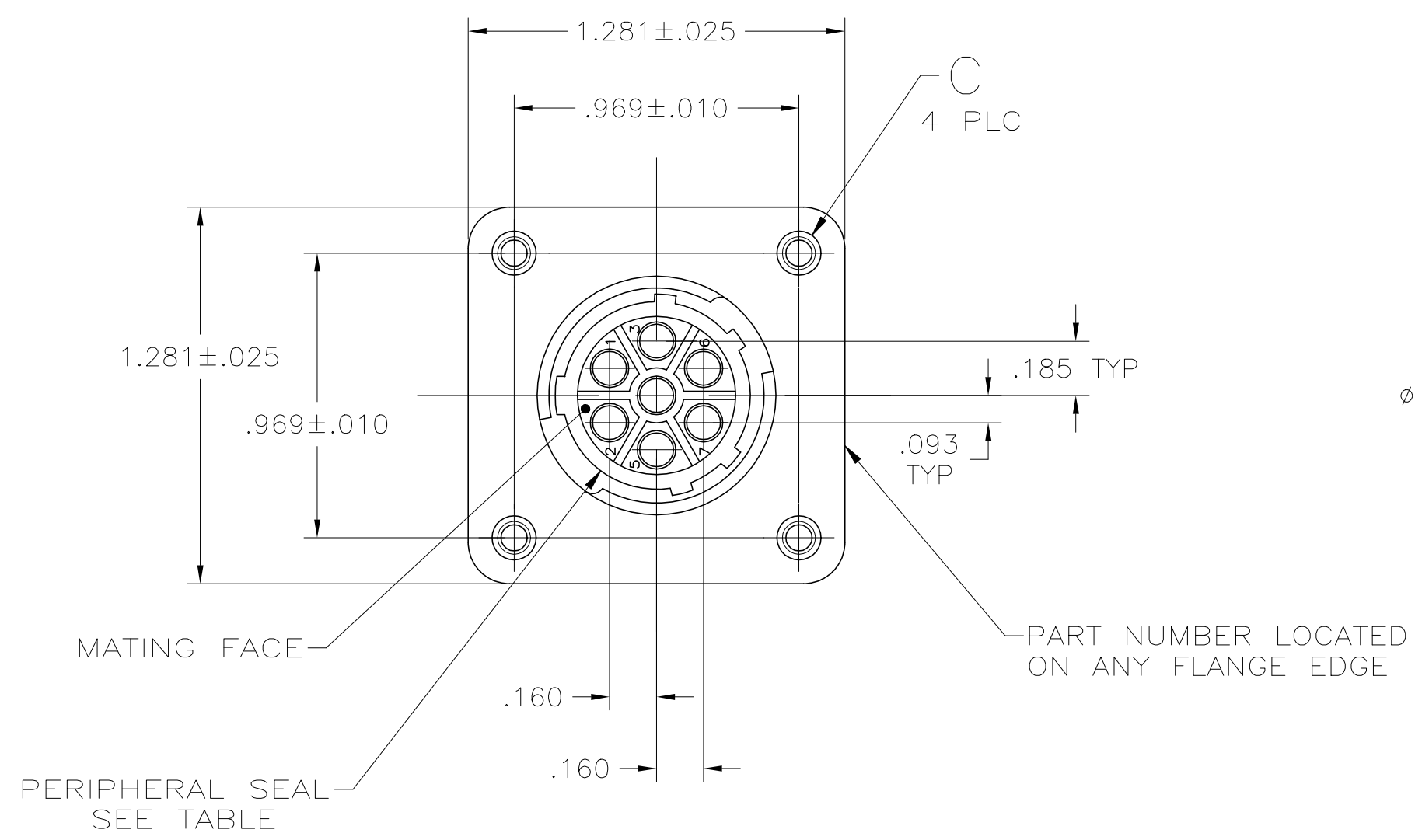
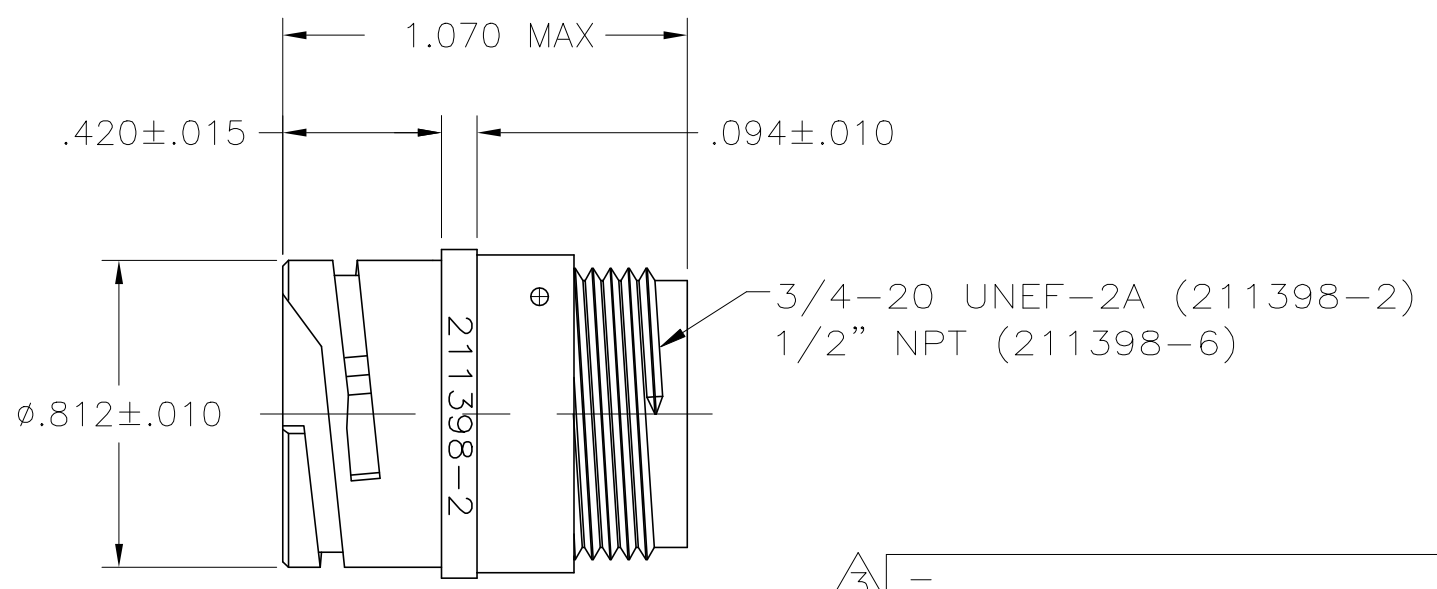
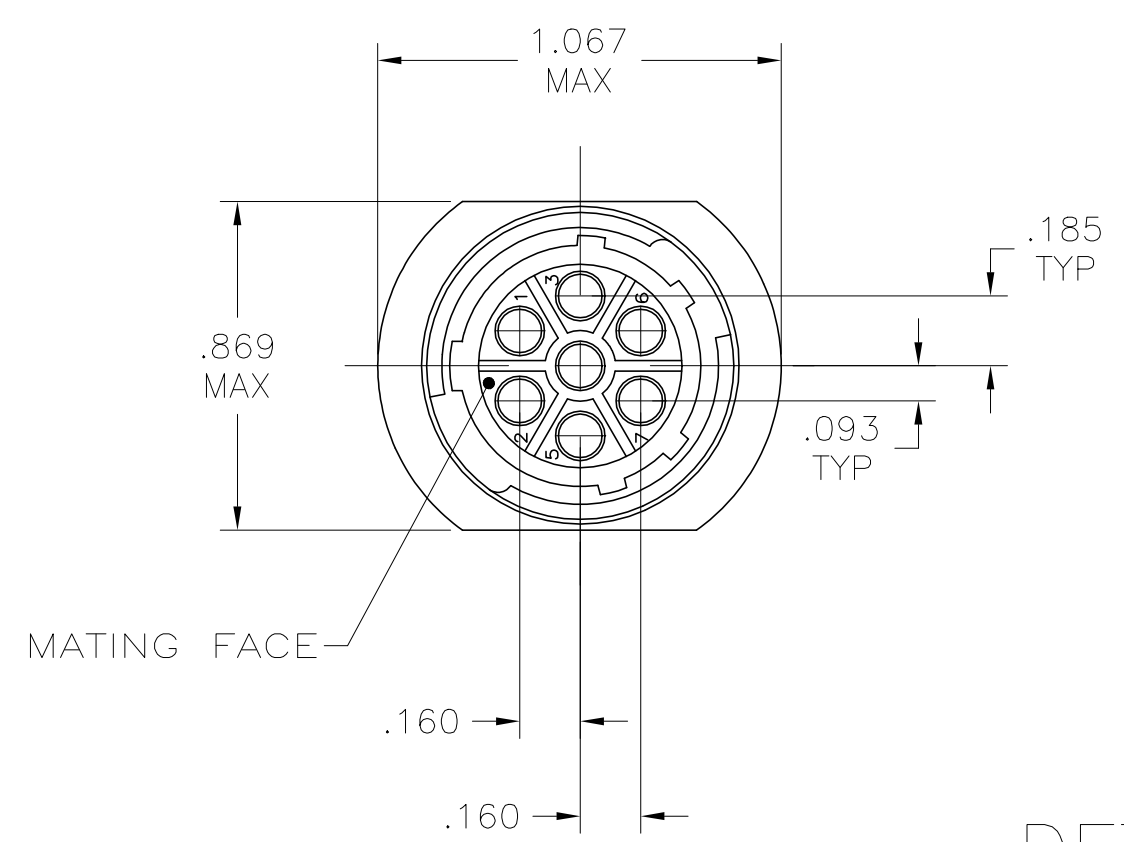


REVISIONS					
P	LTR	DESCRIPTION	DATE	DWN	APVD
L		REVISED PER ECO-17-000037	10MAR2017	RS	MZ
M		REVISED PER ECO-18-018811	30NOV2018	RS	MZ
N		REVISED PER ECO-19-011876	09AUG2019	RS	MZ



RECOMMENDED PANEL CUTOUT

DETAIL A



DETAIL B

3	-	NO	B	211398-6
3	4-40 THREADED INSERTS	YES	A	211398-5
	4-40 THREADED INSERTS	NO	A	211398-4
	Ø.125±.005	YES	A	211398-3
	-	NO	B	211398-2
	Ø.125±.005	NO	A	211398-1
	C	PERIPHERAL SEAL	SEE DETAIL	PART NUMBER

- NOTES:**
- CAVITY IDENTIFICATION ON FRONT AND REAR FACE.
 - WILL ACCEPT SEVEN (7) MULTIMATE SOCKET CONTACTS.
- ⚠️ OBSOLETE PART NUMBER.

4 COMPARATIVE TRACKING INDEX OF HOUSING MATERIAL PER UL746A=400 MIN.

THIS DRAWING IS A CONTROLLED DOCUMENT.

DIMENSIONS: INCHES	TOLERANCES UNLESS OTHERWISE SPECIFIED:	DWN: D.HARDY 07-27-94	CHK: R.STONE 08-10-94	APVD: A.FRANTUM 10-03-94	NAME: RECEPTACLE, HOUSING, REVERSE SEX, 13-7, CPC
MATERIAL: NYLON, BLACK	FINISH: -	WEIGHT: -	SCALE: 2:1	SHEET: 1 of 1	REV: N

TE Connectivity Ltd.

CUSTOMER DRAWING

X-ON Electronics

Largest Supplier of Electrical and Electronic Components

Click to view similar products for [Standard Circular Connector](#) category:

Click to view products by [TE Connectivity](#) manufacturer:

Other Similar products are found below :

[5M2530B10P](#) [600259N006](#) [600273N007](#) [6134-336-13149](#) [6134-337-11149](#) [6134-337-2390](#) [6134-341-17149](#) [6280-4SG-516](#) [6280-7SG-3DC](#)
[6290](#) [6291A](#) [66200A-10](#) [680-SMG](#) [681-PMG](#) [CXS3102A14S2P](#) [CXS3102A181S](#) [7251-5SG-300](#) [7271-6SG-300](#) [7282-3PG-300-CH3](#) [75-](#)
[474618-01S](#) [75-474618-04P](#) [75-474618-04S](#) [799539-000](#) [MI8-SE](#) [805-005-07NF11-19PC](#) [805-005-07NF15-7PA](#) [8280-4PG-516](#) [8280-7PG-](#)
[519](#) [8282-5PG-519](#) [836783-1](#) [MP-4102-25P-C](#) [862256-1](#) [864019-2](#) [866857-1](#) [867865-1](#) [PT01SP-14-18P](#) [PT08P-14-5S](#) [PTSF06SE-14-12S](#)
[120-1833-000](#) [QCM019PC2DC012B](#) [1-2069279-1](#) [121583-0217](#) [121667-0020](#) [129591AU](#) [1000B BULK](#) [RD10A16-19-P6CS051/1](#)
[RD10A20-31-P8CS051/1](#) [RD16A14-12-S6CS051/2](#) [1301240290](#) [1301240347](#) [1301860202](#)