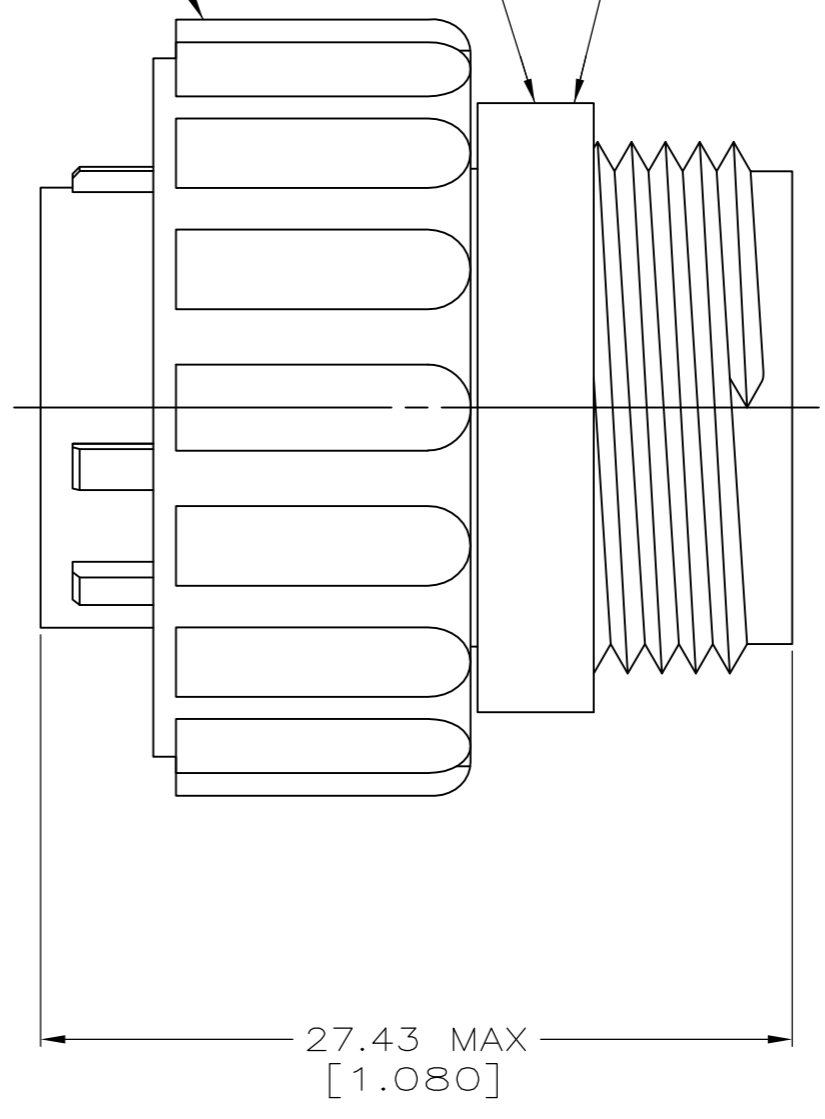


PLUG HOUSING
 MATERIAL: GLASS FILLED NYLON,
 6/6, BLACK

COUPLING RING
 MATERIAL: POLYESTER, BLACK

AMP PART NO
 THIS DIA



- CONTACT CAVITIES IDENTIFIED BY CHARACTERS ON FRONT AND REAR FACES OF CONNECTOR.
- WILL ACCEPT SEVEN (7) MULTIMATE SOCKET CONTACTS.

THIS DRAWING IS A CONTROLLED DOCUMENT FOR AMP INCORPORATED. IT IS SUBJECT TO CHANGE AND THE CONTROLLING ENGINEERING ORGANIZATION SHOULD BE CONTACTED FOR THE LATEST REVISION.

THIS DRAWING IS A CONTROLLED DOCUMENT.		DWN D.HARDY 07-01-94	211399-1	
		CHK R.STONE 08-10-94	PART NO	
		APVD A.FRANTUM 10-03-94	TE Connectivity	
DIMENSIONS: MM[INCHES]		PRODUCT SPEC APPLICATION SPEC	NAME PLUG ASSEMBLY, STANDARD SEX, 13-7, CPC	
TOLERANCES UNLESS OTHERWISE SPECIFIED:		WEIGHT	SIZE A2	CAGE CODE 00779
0 PLC ± -		FINISH	DRAWING NO G-211399	RESTRICTED TO
1 PLC ± -			SCALE 4:1	SHEET 1 of 1
2 PLC ± -			REV D1	
3 PLC ± -				
4 PLC ± -				
ANGLES ± ± -				
MATERIAL SEE CALLOUTS				
		CUSTOMER DRAWING		

X-ON Electronics

Largest Supplier of Electrical and Electronic Components

Click to view similar products for [Standard Circular Connector](#) category:

Click to view products by [TE Connectivity](#) manufacturer:

Other Similar products are found below :

[5M2530B10P](#) [600259N006](#) [600273N007](#) [6134-336-13149](#) [6134-337-11149](#) [6134-337-2390](#) [6134-341-17149](#) [6280-4SG-516](#) [6280-7SG-3DC](#)
[6290](#) [6291A](#) [66200A-10](#) [680-SMG](#) [681-PMG](#) [CXS3102A14S2P](#) [CXS3102A181S](#) [7251-5SG-300](#) [7271-6SG-300](#) [7282-3PG-300-CH3](#) [75-](#)
[474618-01S](#) [75-474618-04P](#) [75-474618-04S](#) [799539-000](#) [MI8-SE](#) [805-005-07NF11-19PC](#) [805-005-07NF15-7PA](#) [8280-4PG-516](#) [8280-7PG-](#)
[519](#) [8282-5PG-519](#) [836783-1](#) [MP-4102-25P-C](#) [862256-1](#) [864019-2](#) [866857-1](#) [867865-1](#) [PT01SP-14-18P](#) [PT08P-14-5S](#) [PTSF06SE-14-12S](#)
[120-1833-000](#) [QCM019PC2DC012B](#) [1-2069279-1](#) [121583-0217](#) [121667-0020](#) [129591AU](#) [1000B BULK](#) [RD10A16-19-P6CS051/1](#)
[RD10A20-31-P8CS051/1](#) [RD16A14-12-S6CS051/2](#) [1301240290](#) [1301240347](#) [1301860202](#)