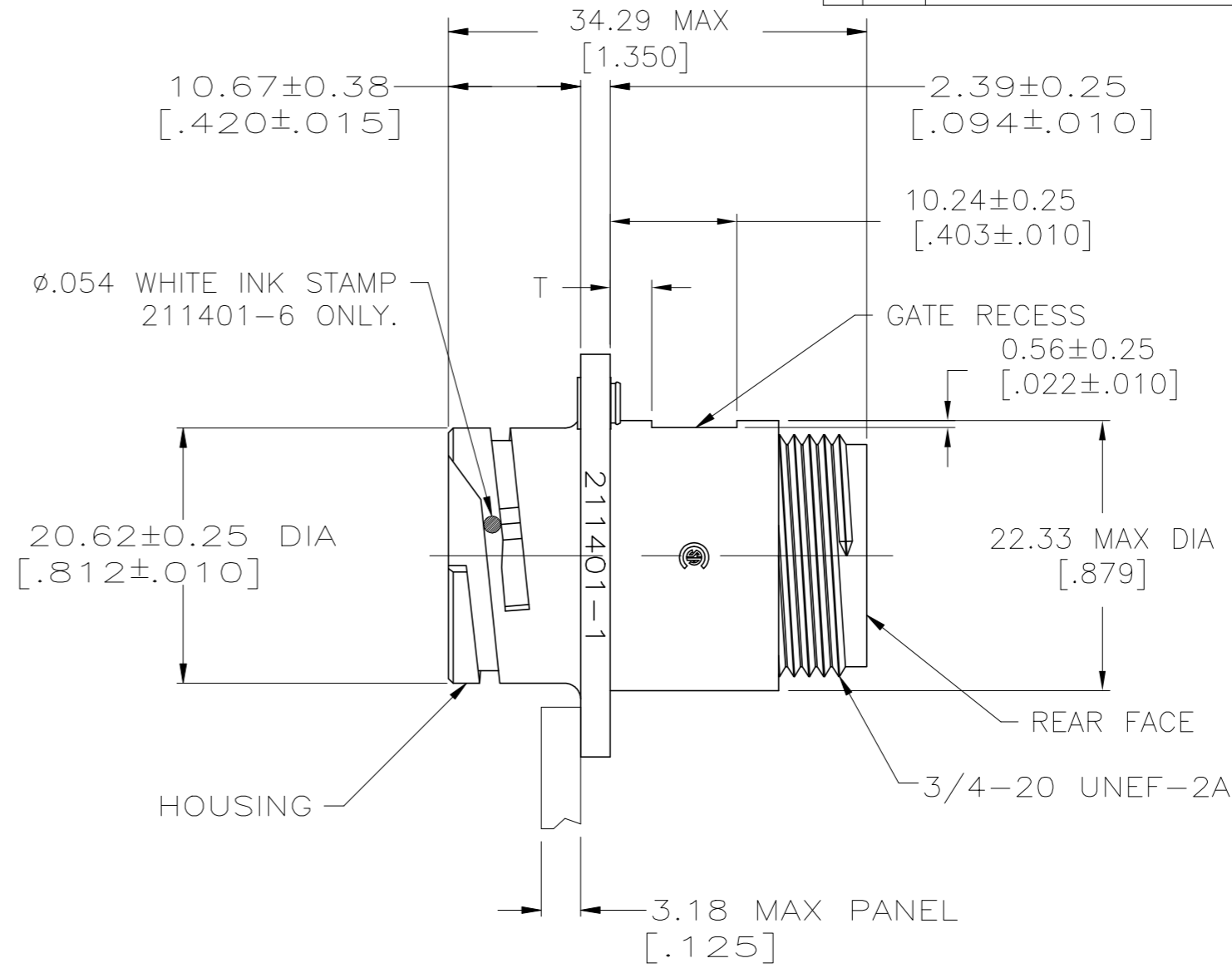
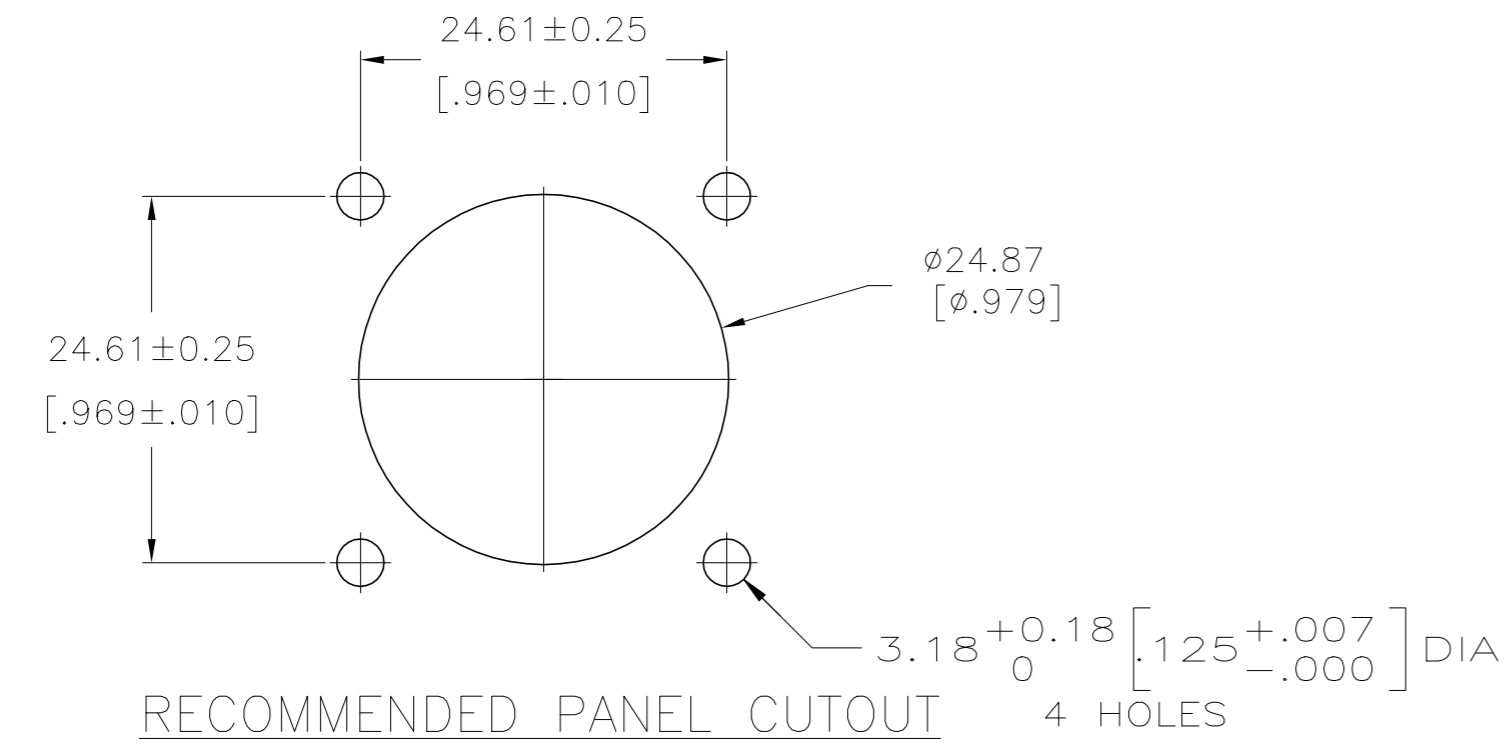
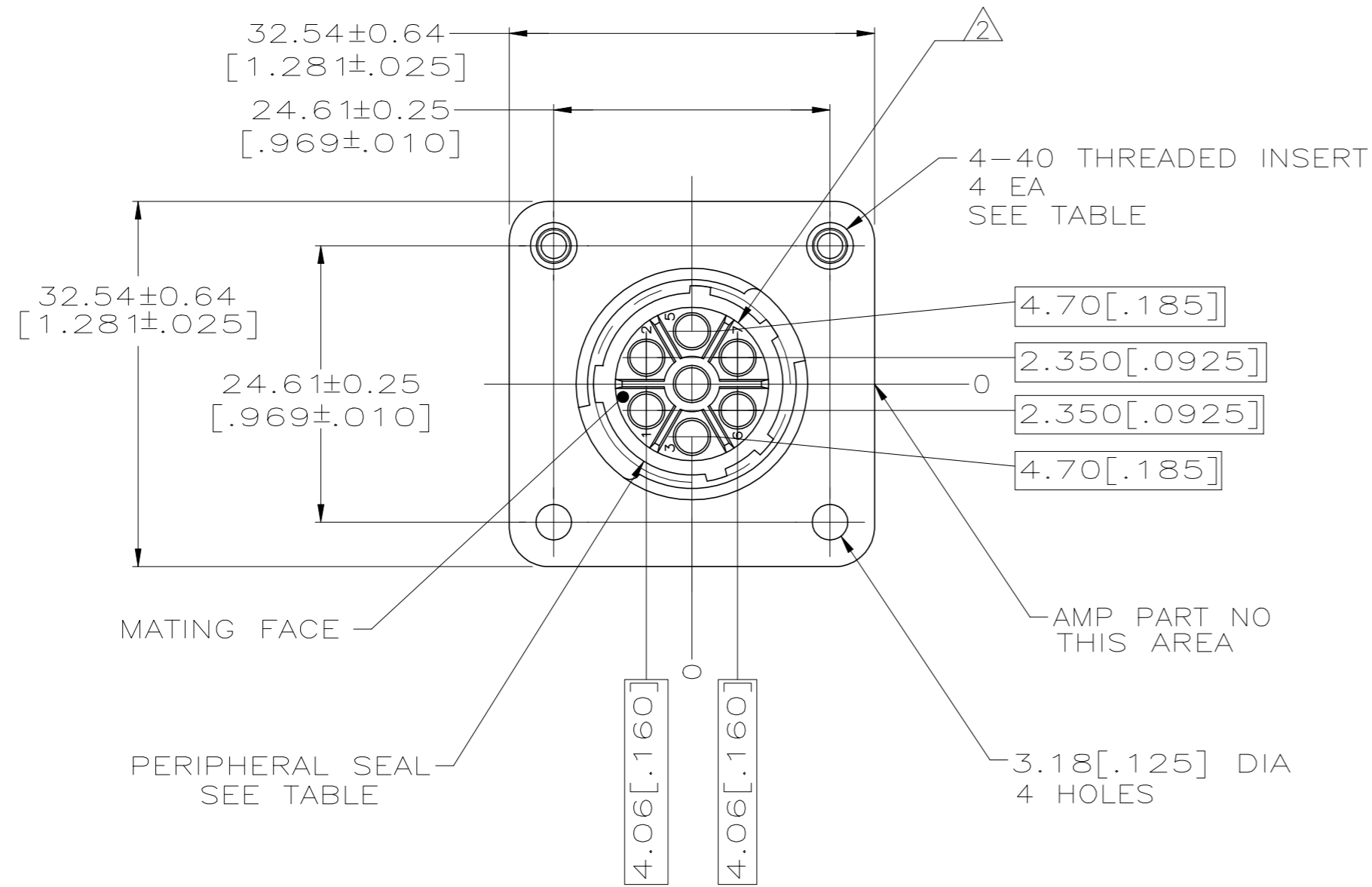


THIS DRAWING IS UNPUBLISHED. RELEASED FOR PUBLICATION
 © COPYRIGHT - By - ALL RIGHTS RESERVED.

REVISIONS					
P	LTR	DESCRIPTION	DATE	DWN	APVD
	H1	REVISED PER ECO-11-004587	11MAR11	RK	HMR
	J	REVISED PER ECO-17-000037	10MAR2017	RS	MZ
	K	REVISED PER ECO-19-011232	07AUG2019	RS	MZ



	3.35±0.25 [.132±.010]	NO	NO	3.81 [.150]	211401-8
OBSOLETE	1.83±0.25 [.072±.010]	NO	NO	3.81 [.150]	211401-6
5	1.83±0.25 [.072±.010]	YES	NO	2.54 [.100]	211401-5
	1.83±0.25 [.072±.010]	YES	NO	3.81 [.150]	211401-4
	1.83±0.25 [.072±.010]	NO	YES	3.81 [.150]	211401-3
	1.83±0.25 [.072±.010]	NO	NO	2.54 [.100]	211401-2
	1.83±0.25 [.072±.010]	NO	NO	3.81 [.150]	211401-1
T	4-40 THREADED INSERTS	PERIPHERAL SEAL	MAX WIRE INSULATION DIA	PART NUMBER	

1 HOUNSING: THERMOPLASTIC, BLACK.
 PERIPHERAL SEAL: ELASTOMER, BLACK.
 THREADED INSERTS: BRASS.

2 CAVITY IDENTIFICATION ON FRONT AND REAR FACE.

3. WILL ACCEPT SEVEN (7) MULTIMATE PIN CONTACTS.

4. .0050MAX FLASH PERMITTED IN THE AREA OF DIMENSION T, .020 MAX FLASH PERMITTED ON MATING FACE SIDE AND .025 MAX FLASH PERMITTED ON REAR FACE SIDE.

5 PRELIMINARY PART NUMBER.

THIS DRAWING IS A CONTROLLED DOCUMENT.

DWN: D.HARDY 08-01-94
 CHK: R.STONE 08-10-94

TE Connectivity

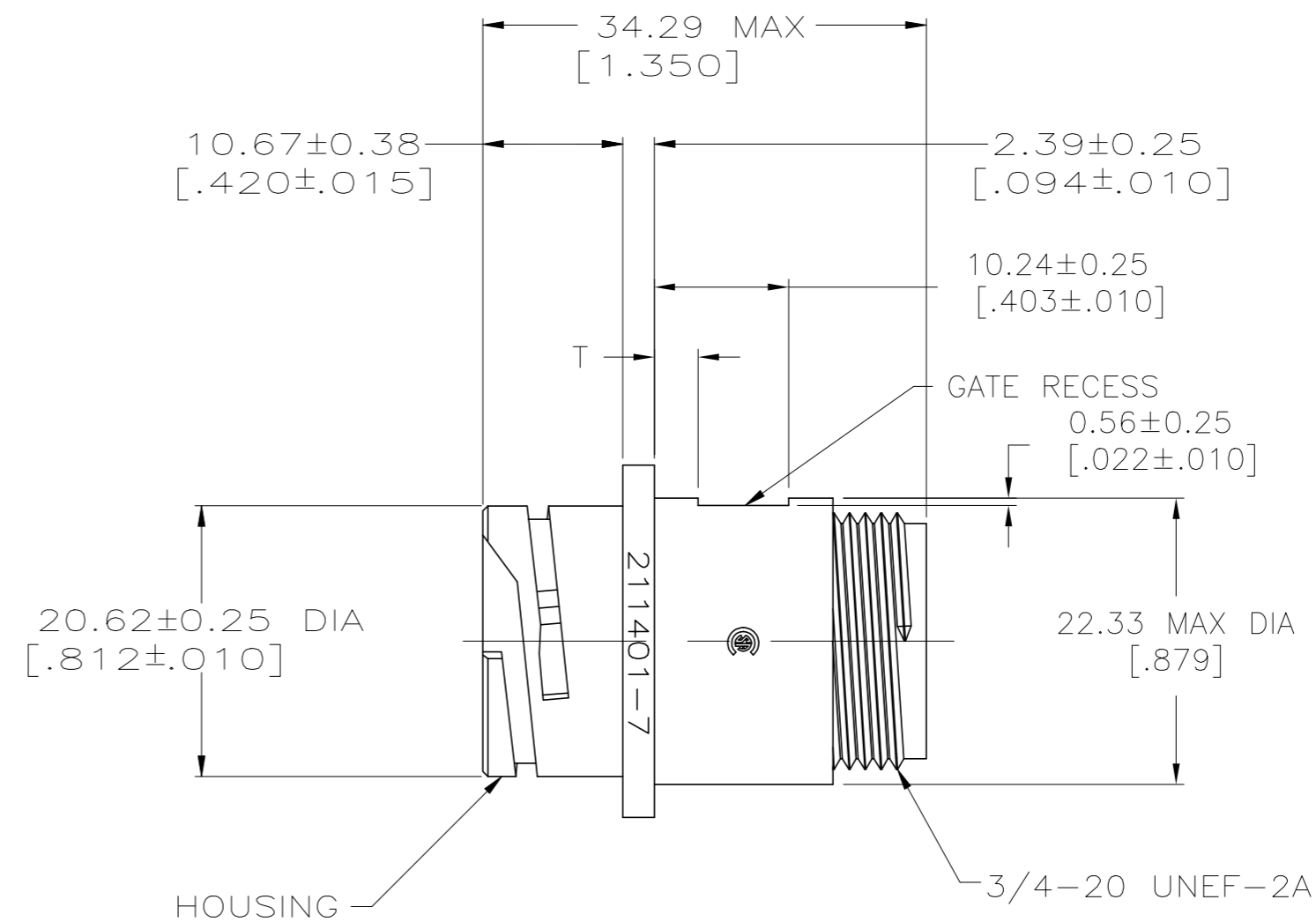
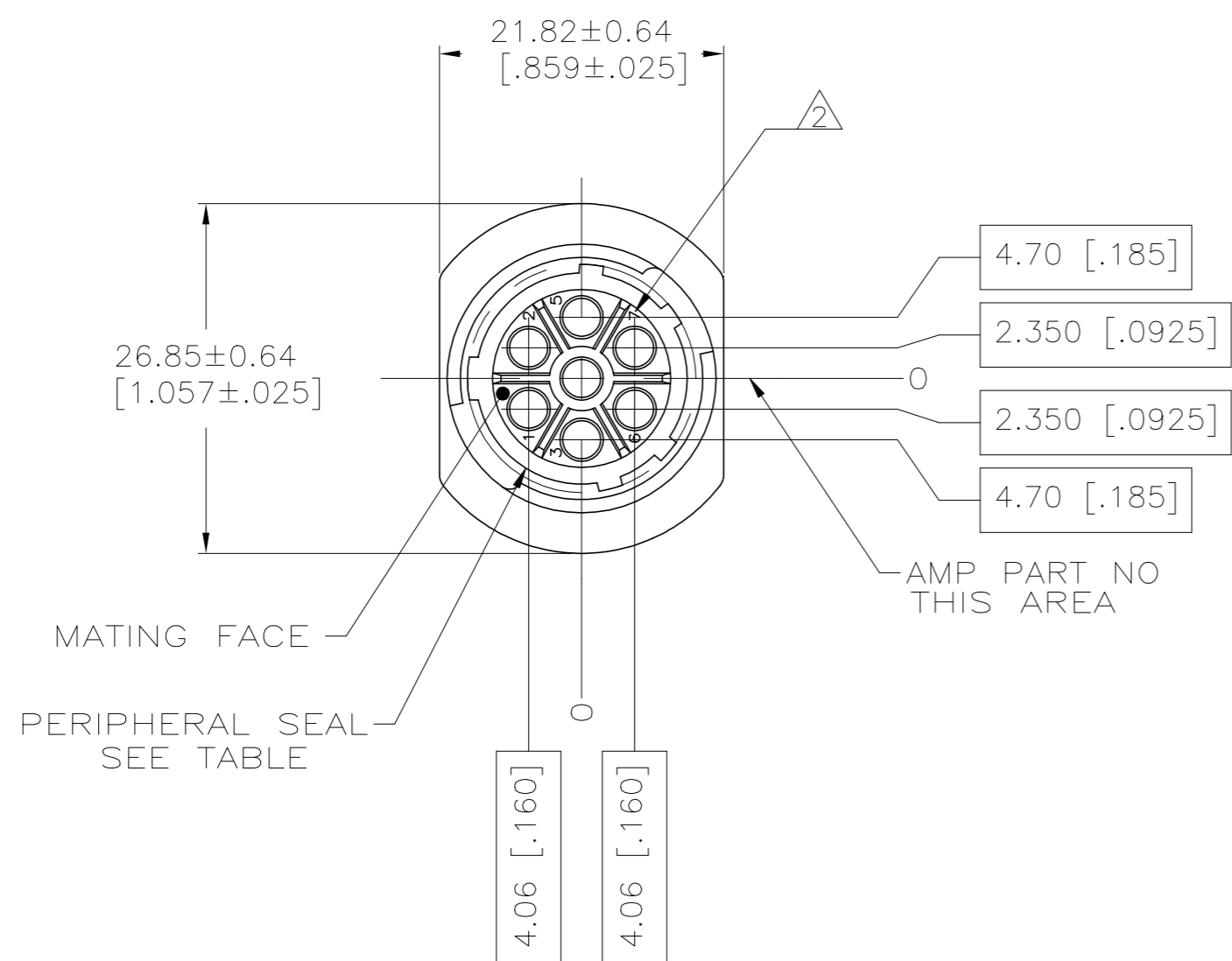
RECEPTACLE HOUSING, STANDARD SEX, 13-7, CPC

SCALE: 2:1 SHEET: 1 of 2 REV: K

CUSTOMER DRAWING

THIS DRAWING IS UNPUBLISHED. RELEASED FOR PUBLICATION
 © COPYRIGHT - By - ALL RIGHTS RESERVED.

REVISIONS					
P	LTR	DESCRIPTION	DATE	DWN	APVD
-	-	SEE SHEET 1	-	-	-



1 HOUNSING: THERMOPLASTIC, BLACK.
 PERIPHERAL SEAL: ELASTOMER, BLACK.
 THREADED INSERTS: BRASS.

2 CAVITY IDENTIFICATION ON FRONT AND REAR FACE.

3. WILL ACCEPT SEVEN (7) MULTIMATE PIN CONTACTS.

4. .005 MAX FLASH PERMITTED IN THE AREA OF DIMENSION T, .020 MAX FLASH PERMITTED ON MATING FACE SIDE AND .025 MAX FLASH PERMITTED ON REAR FACE SIDE.

1.83±0.25 [.072±.010]	NO	2.54 [.100]	211401-7
T	PERIPHERAL SEAL	MAX WIRE INSULATION DIA	PART NUMBER

THIS DRAWING IS A CONTROLLED DOCUMENT.		DWN D. HARDY 08-01-94	TE Connectivity	
DIMENSIONS: mm [INCHES]		CHK R. STONE 08-10-94		
TOLERANCES UNLESS OTHERWISE SPECIFIED:		APVD -	NAME RECEPTACLE HOUSING, STANDARD SEX, 13-7, CPC	
0 PLC ± -		PRODUCT SPEC	SIZE CAGE CODE DRAWING NO RESTRICTED TO	
1 PLC ± -		APPLICATION SPEC	A2 00779 C=211401 -	
2 PLC ± 0.13 [.005]		WEIGHT	SCALE 2:1 SHEET 2 of 2 REV K	
3 PLC ± -		CUSTOMER DRAWING		
4 PLC ± -				
ANGLES ± -				
FINISH -				

X-ON Electronics

Largest Supplier of Electrical and Electronic Components

Click to view similar products for [Standard Circular Connector](#) category:

Click to view products by [TE Connectivity](#) manufacturer:

Other Similar products are found below :

[5M2530B10P](#) [600259N006](#) [600273N007](#) [6134-336-13149](#) [6134-337-11149](#) [6134-337-2390](#) [6134-341-17149](#) [6280-4SG-516](#) [6280-7SG-3DC](#)
[6290](#) [6291A](#) [66200A-10](#) [680-SMG](#) [681-PMG](#) [CXS3102A14S2P](#) [CXS3102A181S](#) [7251-5SG-300](#) [7271-6SG-300](#) [7282-3PG-300-CH3](#) [75-](#)
[474618-01S](#) [75-474618-04P](#) [75-474618-04S](#) [799539-000](#) [MI8-SE](#) [805-005-07NF11-19PC](#) [805-005-07NF15-7PA](#) [8280-4PG-516](#) [8280-7PG-](#)
[519](#) [8282-5PG-519](#) [836783-1](#) [MP-4102-25P-C](#) [862256-1](#) [864019-2](#) [866857-1](#) [867865-1](#) [PT01SP-14-18P](#) [PT08P-14-5S](#) [PTSF06SE-14-12S](#)
[120-1833-000](#) [QCM019PC2DC012B](#) [1-2069279-1](#) [121583-0217](#) [121667-0020](#) [129591AU](#) [1000B BULK](#) [RD10A16-19-P6CS051/1](#)
[RD10A20-31-P8CS051/1](#) [RD16A14-12-S6CS051/2](#) [1301240290](#) [1301240347](#) [1301860202](#)