

THIRD ANGLE PROJECTION

3

2

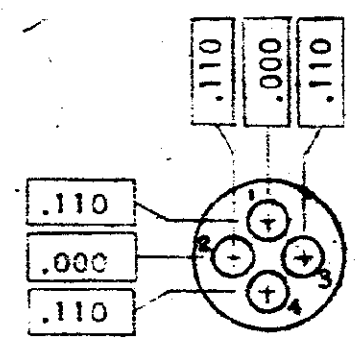
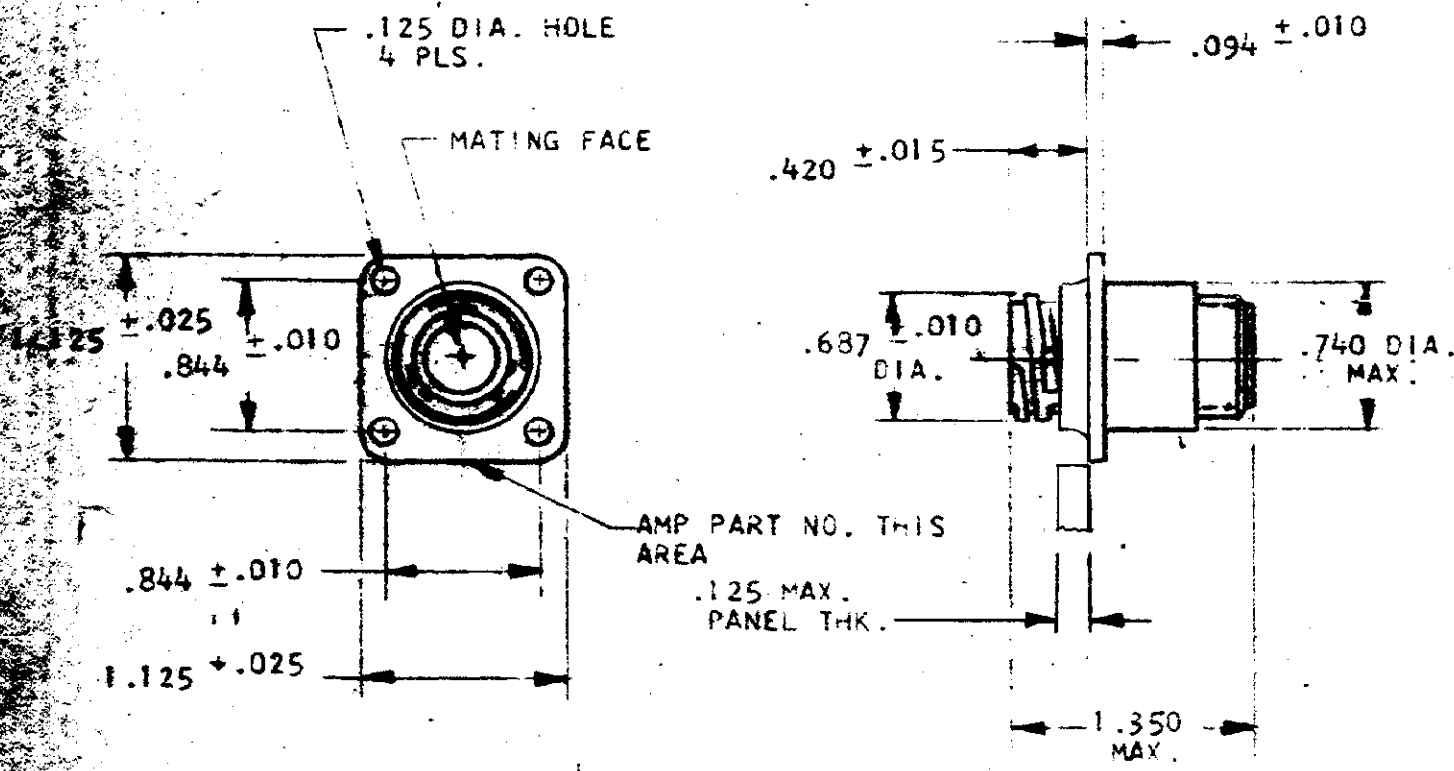
LOC R DIST

NOT BE RELEASED OR DISCLOSED TO THE PUBLIC. UNLESS OTHERWISE SPECIFIED, ALL DIMENSIONS ARE IN INCHES.

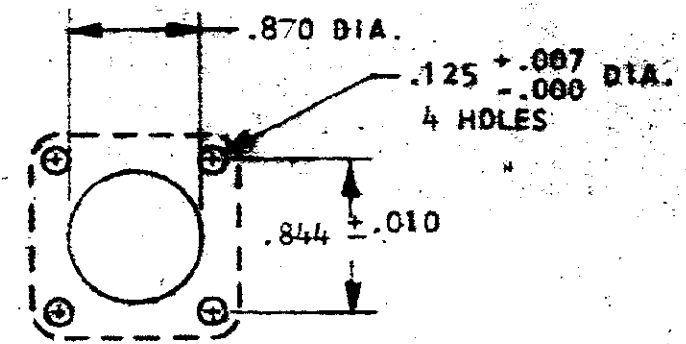
BY AMP INCORPORATED, HARRISBURG, PA. ALL INTERNATIONAL RIGHTS RESERVED. AMP PRODUCTS MAY BE COVERED BY U.S. AND FOREIGN PATENTS AND/OR PATENTS PENDING.

211427-1 1. AS SHOWN.
2. NORMAL KEYING.

REVISIONS						
P	F	ZONE	LTR	DESCRIPTION	DATE	APPROVED
				RELEASED (WAS 5029-1201)	7-27-83	TLS
		A		REV PER ECM K-385	7-28-83	BLP



CONFIGURATION OF MATING FACE OF CONNECTOR



PANEL CUTOUT

- CONTACT CAVITIES IDENTIFIED BY CHARACTERS ON FRONT AND REAR FACES.
- THIS CONNECTOR WILL ACCEPT (4) MULTIMATE PIN CONTACTS.

UNLESS OTHERWISE SPECIFIED DIMENSIONS ARE IN INCHES. TOLERANCES ON: .005 DECIMALS ± .0005 ANGLES ± H		CONTRACT NO.		PART NO.	
MATERIAL THERMOPLASTIC COLOR: GREY		FINISH H		AMP INCORPORATED Harrisburg, Pa.	
OTHER APPD		OTHER APPD		NAME CPC, RECEPTACLE ARRANGEMENT 11-4, STD. SEX., CLASS A	
SIZE B		FSCM NO. 00779		DRAWING NO. 211427	
SCALE		1 OF 1			

X-ON Electronics

Largest Supplier of Electrical and Electronic Components

Click to view similar products for [Standard Circular Connector](#) category:

Click to view products by [TE Connectivity](#) manufacturer:

Other Similar products are found below :

[C015](#) [10F006](#) [001](#) [1](#) [5M2530B10P](#) [600247N007](#) [600259N006](#) [600273N007](#) [600432N009](#) [6280-2PG-519](#) [6280-3PG-311](#) [6280-3SG-311](#)
[6280-7SG-3DC](#) [6280-7SG-522](#) [6282-5PG-311](#) [6282-6PG-519](#) [6282-8SG-311](#) [6283-11](#) [6283-15](#) [6290](#) [6293](#) [6382-2PG-311](#) [6382-2PG-3DC](#)
[6382-2SG-321](#) [6382-2SG-3DC](#) [6382-4SG-516](#) [67-03E20-37P](#) [681-PMG](#) [CXC3106A1811S](#) [CXS3102A14S2P](#) [CXS3102A181S](#)
[CXS3106A14S6S](#) [D38999/20FC8SA L/C](#) [MB12P-1](#) [MB12R-6](#) [7251-2PG-300](#) [7251-2SG-300](#) [7251-4PG-300](#) [7251-4SG-300](#) [7251-5PG-300](#)
[7251-5SG-300](#) [7251-6SG-300](#) [7251-7PG-300](#) [7251-8PG-300](#) [7271-6SG-300](#) [7282-3PG-300-CH3](#) [73000005663](#) [75-190011-03P](#) [75-190216-08S](#) [75-190218-10P](#) [75-214636-52P](#) [75-474118-10P](#) [75-474211-03P](#)