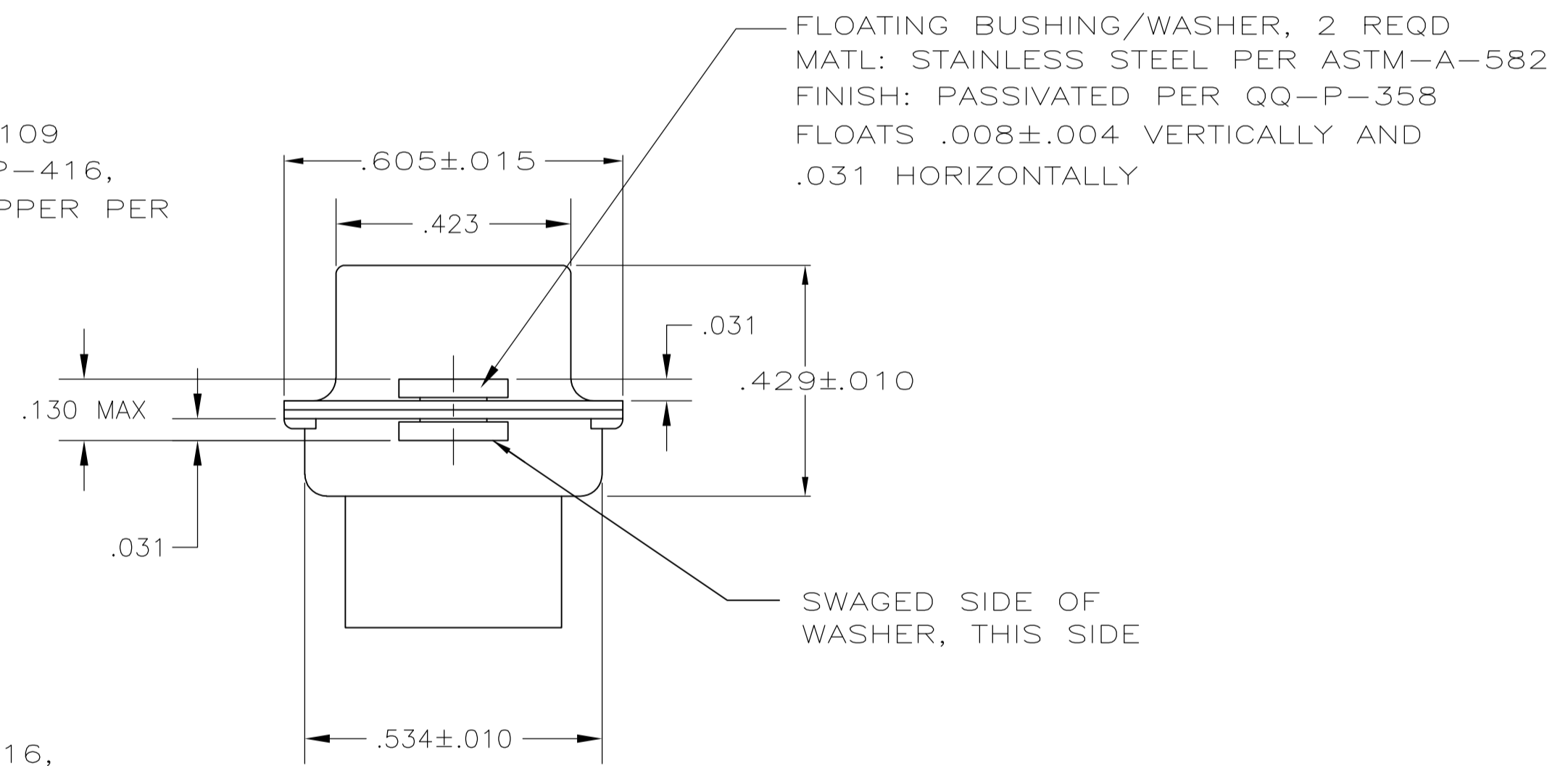
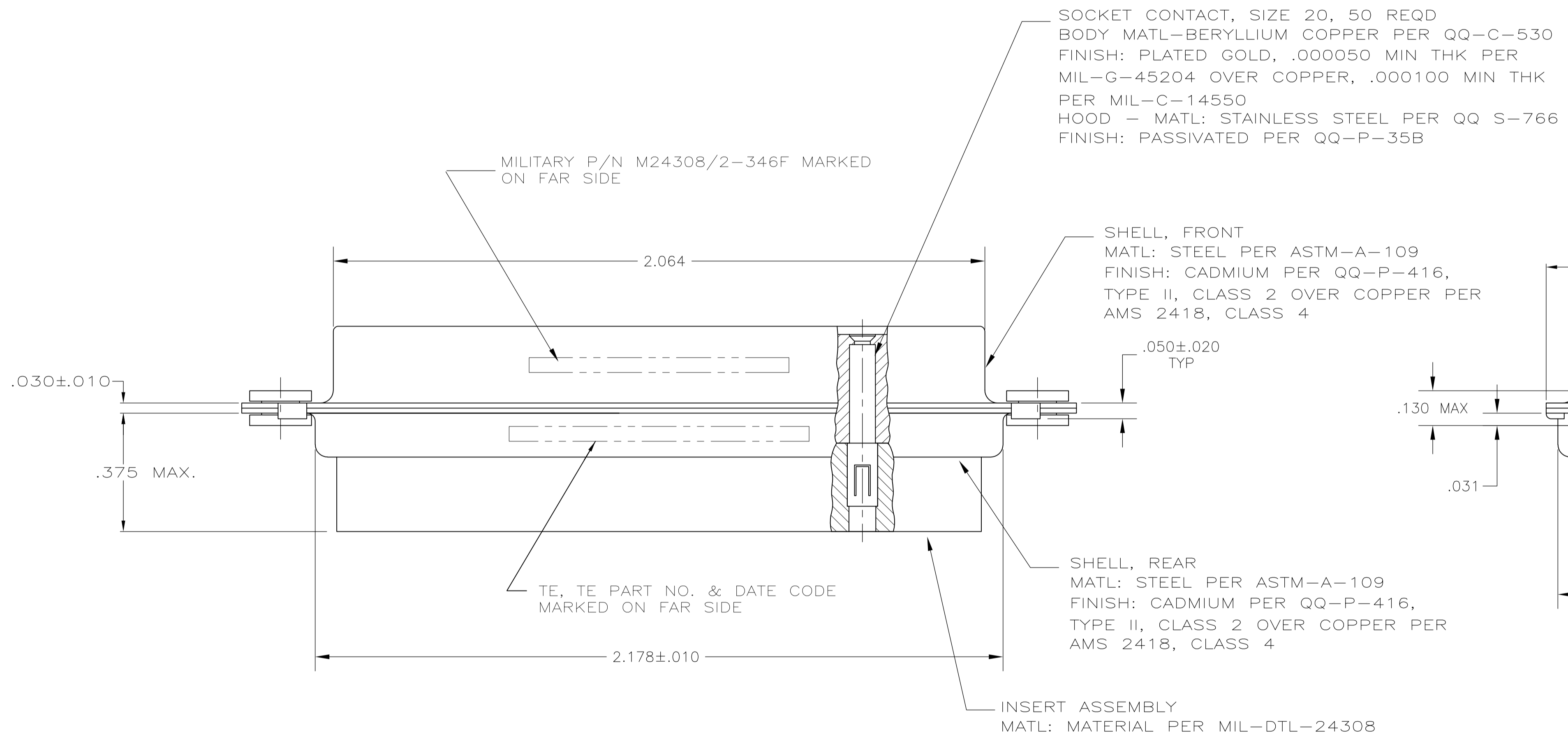
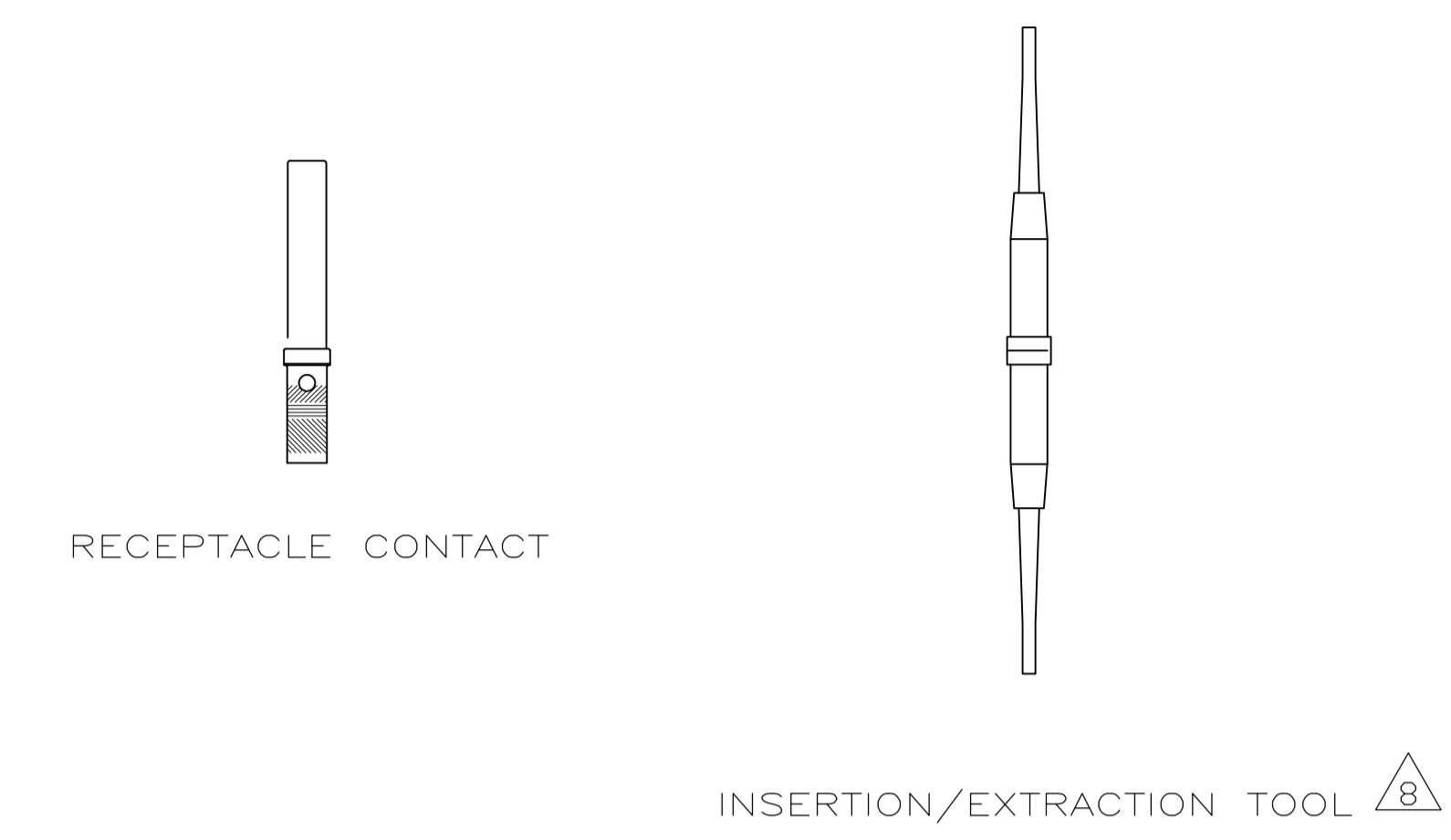
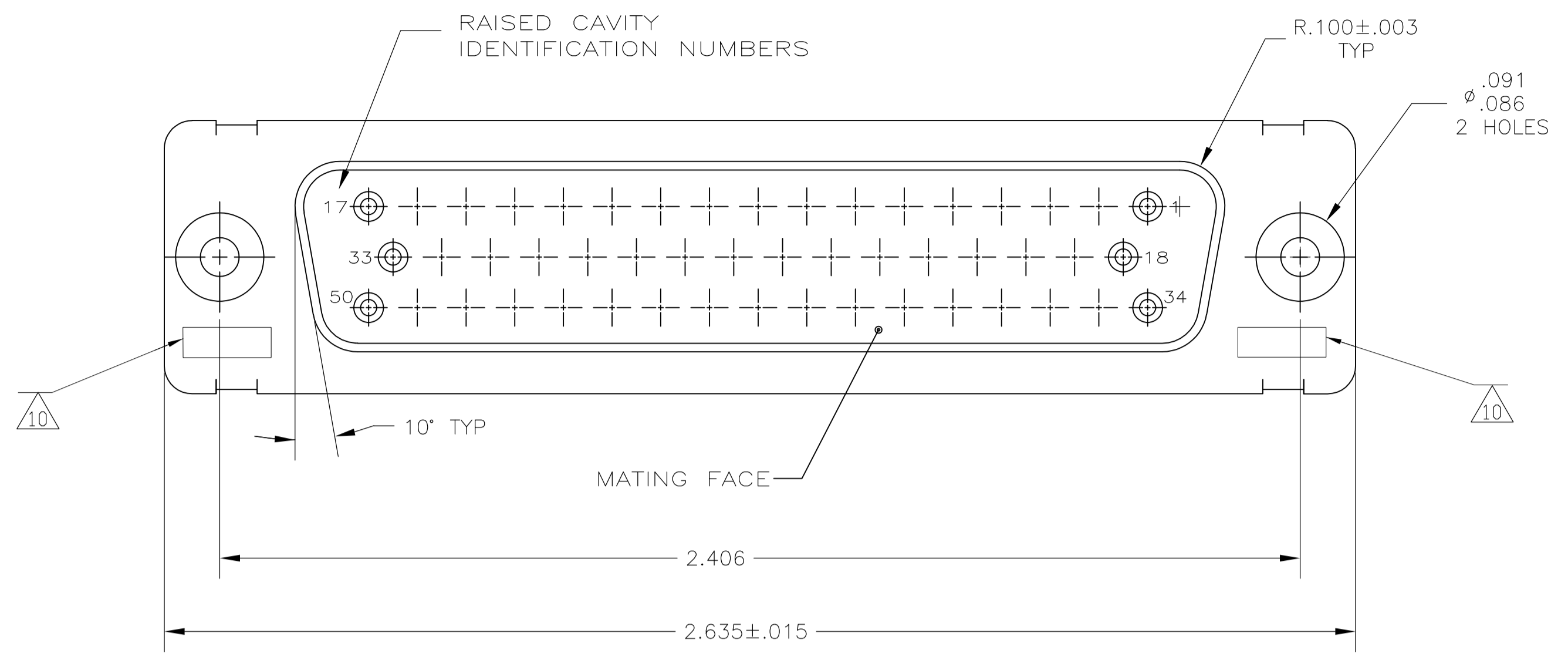


LOC		DIST		REVISIONS			
P	LTR	DESCRIPTION	DATE	DMN	APVD		
F		REVISED PER ECO-15-017709	30DEC15	KG	CD		



SOCKET CONTACT, SIZE 20, 50 REQD
 BODY MATL-BERYLLIUM COPPER PER QQ-C-530
 FINISH: PLATED GOLD, .000050 MIN THK PER
 MIL-G-45204 OVER COPPER, .000100 MIN THK
 PER MIL-C-14550
 HOOD - MATL: STAINLESS STEEL PER QQ S-766
 FINISH: PASSIVATED PER QQ-P-35B

SHELL, FRONT
 MATL: STEEL PER ASTM-A-109
 FINISH: CADMIUM PER QQ-P-416,
 TYPE II, CLASS 2 OVER COPPER PER
 AMS 2418, CLASS 4

SHELL, REAR
 MATL: STEEL PER ASTM-A-109
 FINISH: CADMIUM PER QQ-P-416,
 TYPE II, CLASS 2 OVER COPPER PER
 AMS 2418, CLASS 4

INSERT ASSEMBLY
 MATL: MATERIAL PER MIL-DTL-24308

- THIS RECEPTACLE WILL MATE WITH ANY 50 POSN, SIZE 5 PLUG IN AMPLIMITE SERIES
- MAXIMUM WIRE INSULATION TO BE USED WITH THIS RECEPTACLE IS .068 DIA
- SST RETENTION CLIPS ARE INCLUDED IN INSERTS
- PACKAGE STAMPED M24308/2-486F & TE PART NUMBER 211529-1
- PACKAGE STAMPED M24308/2-346F & TE PART NUMBER 211529-2
- PACKAGE STAMPED M24308/2-357F & TE PART NUMBER 211529-3
- TE P/N 205090-1, MIL P/N 63-368, INCLUDED IN KIT
- TE P/N 91067-2, MIL P/N M81969/1-02
- CONNECTOR SUPPLIED WITHOUT CONTACTS, SHOWN FOR ILLUSTRATION ONLY
- UL/CSA DESIGNATION STAMPED IN THIS AREA.
- FOR CONNECTOR ASSEMBLIES, TE CONTACT PART NOS. 205090-1 MUST BE ORDERED SEPARATELY. CONNECTORS WITH CONTACTS ARE SUPPLIED WITH CONTACT 205090-1

DESCRIPTION	PART NO.
SAME AS -1 EXCEPT $\triangle 6 \triangle 7 \triangle 8 \triangle 11$	211529-3
SAME AS -1 EXCEPT $\triangle 5 \triangle 7 \triangle 11$	211529-2
AS SHOWN $\triangle 4 \triangle 9 \triangle 11$	211529-1

THIS DRAWING IS A CONTROLLED DOCUMENT.

DIMENSIONS: INCHES	TOLERANCES UNLESS OTHERWISE SPECIFIED:	DIN MANJUNATH G M 27-May-15	APVD CHARLES THOMAS 27-May-15
0 PLC ± -	1 PLC ± -	NAME CHARLES THOMAS	NAME
2 PLC ± -	3 PLC ± .005	PRODUCT SPEC	RECEPTACLE ASSEMBLY, AMPLIMITE, 50 POSITION, SIZE 5, SERIES 109, W/DUAL FLOATING BUSHINGS
4 PLC ± -	ANGLES ± -	APPLICATION SPEC	SIZE A1
MATERIAL	FINISH	WEIGHT	CAGE CODE 00779
			DRAWING NO. 211529
			RESTRICTED TO
			CUSTOMER DRAWING

SCALE 4:1 SHEET 1 OF 1 REV F

X-ON Electronics

Largest Supplier of Electrical and Electronic Components

Click to view similar products for [D-Sub MIL Spec Connectors](#) category:

Click to view products by [TE Connectivity](#) manufacturer:

Other Similar products are found below :

[M85049/50-5F](#) [D38999/24WG11PB-LC](#) [MDM-9SH006A](#) [850-056-0812](#) [1218697-4](#) [D38999/26WJ61PC L/C](#) [1484349-1](#) [17D25HV](#)
[1996840-1](#) [243082-15](#) [1757682-1](#) [17D-E51218-1](#) [17SDA15S](#) [1883533-1](#) [1883886-1](#) [1883889-1](#) [192900-0377](#) [M24308/8-347](#) [M83513/03-](#)
[E09C](#) [443961-3](#) [5-1218949-1](#) [550-031NF1R6K](#) [3-1236089-2](#) [550E001NF1R3J0L](#) [550T001NF1R6K0L](#) [557T283NF5B08](#) [DC121073157](#)
[443869-3](#) [443869-4](#) [443869-5](#) [550S004NF1R1B0F03](#) [557E283NF1A06](#) [527-019NF0303R2K1F](#) [5-446405-1](#) [550-031NF1R2E](#)
[550E003M2R9J0F04](#) [550E003M3R9J0F05](#) [550E024M104R9J0](#) [550E024NF102R3J0B](#) [550E039NF1R3J1-02](#) [550S003M3R9B0F05](#)
[550S004M4R7M0F04](#) [550S004NF1R1B1F02](#) [550S008M3F0K0F04](#) [550S086M5R3J0L](#) [550S100NF3F0E](#) [550T001M2R7E0L](#)
[550T001NF1F0B1L](#) [550T001NF1R1K0G](#) [550T001NF1R3K0G](#)