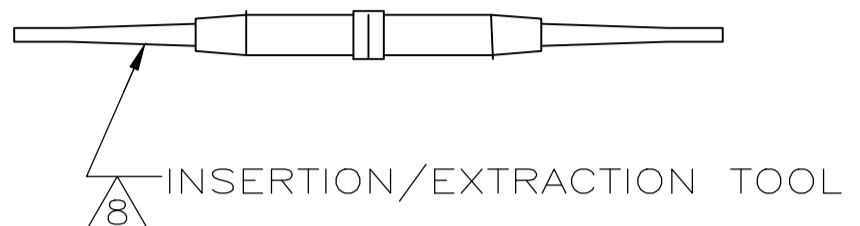
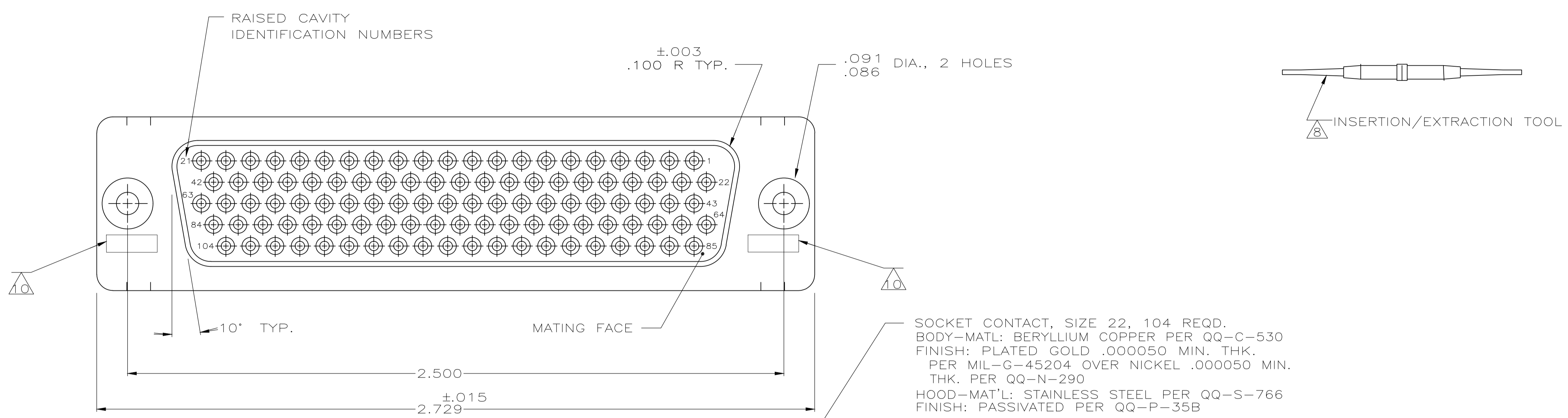
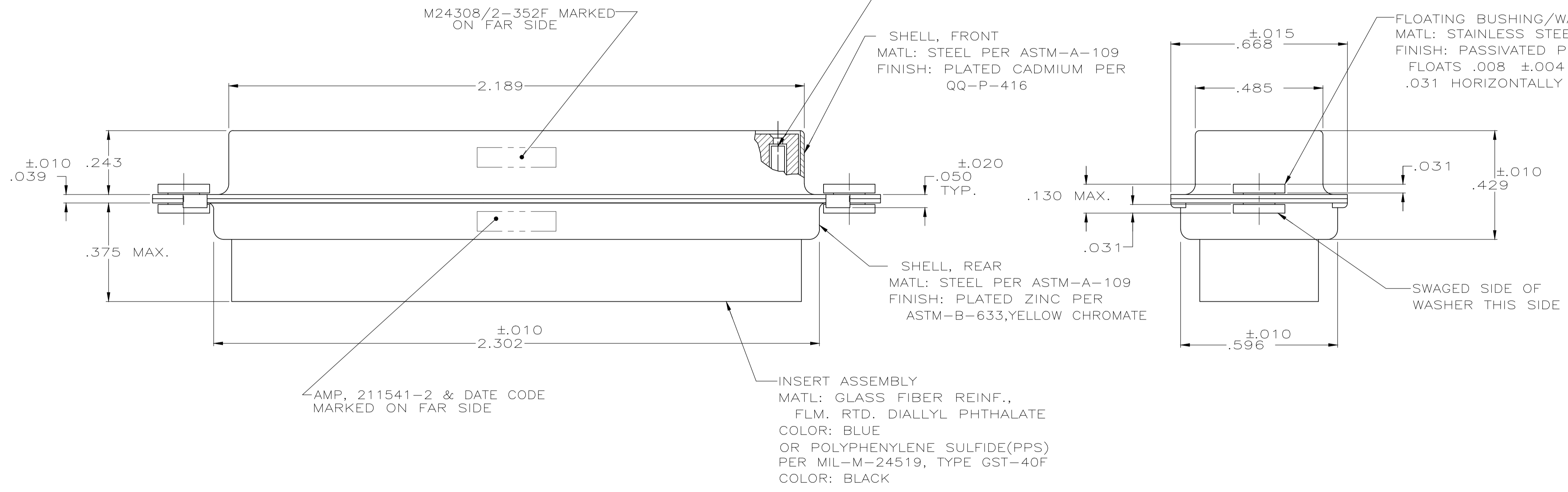


REVISIONS					
P	LTR	DESCRIPTION	DATE	DMN	APVD
G		REVISED PER ECO-19-013888	8-31-20	CT	DM



SOCKET CONTACT, SIZE 22, 104 REQD.
 BODY-MATL: BERYLLIUM COPPER PER QQ-C-530
 FINISH: PLATED GOLD .000050 MIN. THK.
 PER MIL-G-45204 OVER NICKEL .000050 MIN.
 THK. PER QQ-N-290
 HOOD-MAT'L: STAINLESS STEEL PER QQ-S-766
 FINISH: PASSIVATED PER QQ-P-35B



1. THIS RECEPTACLE WILL MATE WITH ANY 104 POSN., SIZE 6 PLUG IN AMPLIMITE SERIES.
2. MAXIMUM WIRE INSULATION TO BE USED WITH THIS RECEPTACLE IS .054 DIA.
3. SST RETENTION CLIPS ARE INCLUDED IN INSERTS.

- 4 PACKAGE STAMPED M24308/2-492F & AMP P/N 211541-1
- 5 PACKAGE STAMPED M24308/2-352F & AMP P/N 211541-2
- 6 PACKAGE STAMPED M24308/2-363F & AMP P/N 211541-3
- 7 AMP P/N 204351-1; MIL P/N 57-354, INCLUDED IN KIT
- 8 AMP P/N 91067-1; MIL P/N M81969/1-04
- 9 CONNECTOR SUPPLIED WITHOUT CONTACTS; SHOWN FOR ILLUSTRATION ONLY.
- 10 UL/CSA DESIGNATION STAMPED IN THIS AREA, OPTIONAL

SUPSD BY 204546-2 & 91067-1	SAME AS -1 EXCEPT: 6 7 8	211541-3
	SAME AS -1 EXCEPT: 5 7	211541-2
	AS SHOWN	211541-1
	DESCRIPTION	PART NO

THIS DRAWING IS A CONTROLLED DOCUMENT.		DIN D. ERDMAN 7/17/85	TE Connectivity	
DIMENSIONS: INCHES		CHK R. GRZYBOWSKI 9-20-85	NAME	
TOLERANCES UNLESS OTHERWISE SPECIFIED:		APVD L. ROPIER 9-20-85	PRODUCT SPEC	
0. PLC ± - 1. PLC ± - 2. PLC ± - 3. PLC ± -.005 4. PLC ± - ANGLES ± 0°30'		APPLICATION SPEC		
MATERIAL SEE CALLOUT		WEIGHT 0.000000	SIZE A1	RESTRICTED TO
FINISH SEE CALLOUT		CUSTOMER DRAWING	SCALE NTS	SHEET 1 OF 1
		DRAWING NO. 00779	REV	

X-ON Electronics

Largest Supplier of Electrical and Electronic Components

Click to view similar products for [D-Sub High Density Connectors](#) category:

Click to view products by [TE Connectivity](#) manufacturer:

Other Similar products are found below :

[1484349-1](#) [163A16769X](#) [163A16809X](#) [163A17089X](#) [164A17199X](#) [164A17209X](#) [164A17479X](#) [164A18209X](#) [17BH-044S-AA110](#) [K86X-AD-26S](#) [KF66X-E15P-N](#) [241A17320X](#) [242A25680X](#) [242A25740X](#) [L717HDB44POL2R210](#) [L717HDCH62POL2RM5](#) [L717HDEH15POL2L777HDE15P](#) [L77HDC62S](#) [163A16599X](#) [163A16779X](#) [163A16839X](#) [163A17079X](#) [164A17309X](#) [164A17329X](#) [164A18219X](#) [241A16440X](#) [241A16550X](#) [241A16680X](#) [241A17390X](#) [241A20810X](#) [241A25740X](#) [CT25-44P](#) [K66X-E15S-N30](#) [K86X-BA-44S](#) [K86X-ED-15S-BR15](#) [K86X-ED-15SK](#) [L177HDE15SOL2RM23](#) [L177HRC62S](#) [L177HRC62SVFM](#) [L177HRCG62S](#) [L717HDBH44POL2RM5](#) [L717HDEG15POL2RM5](#) [L77HDA26SVF](#) [L77HDE15SD1CO](#) [L77HDEH15SOL2RM832](#) [443895-3](#) [106698-1](#) [5529599](#) [280-012K2C](#)