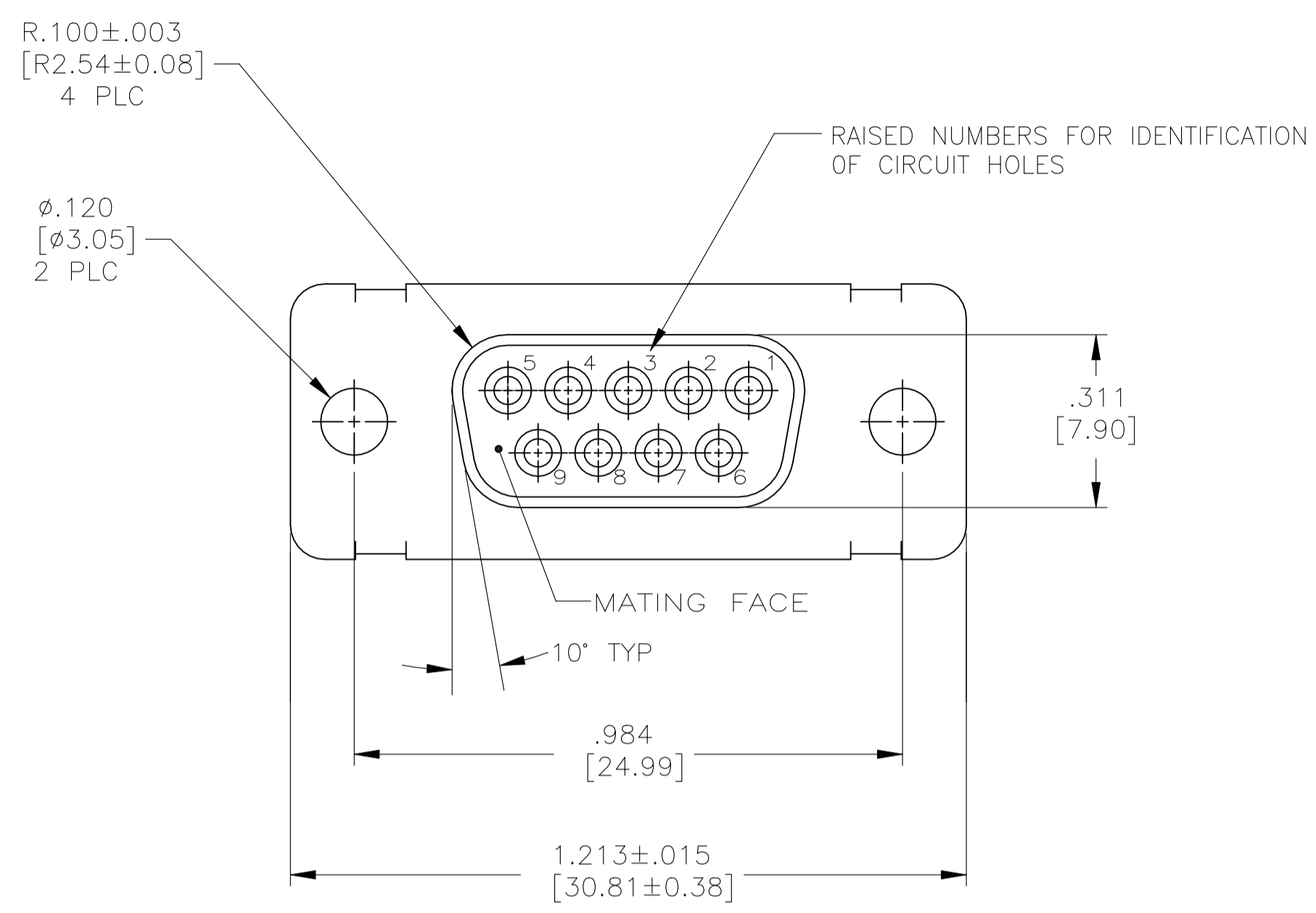
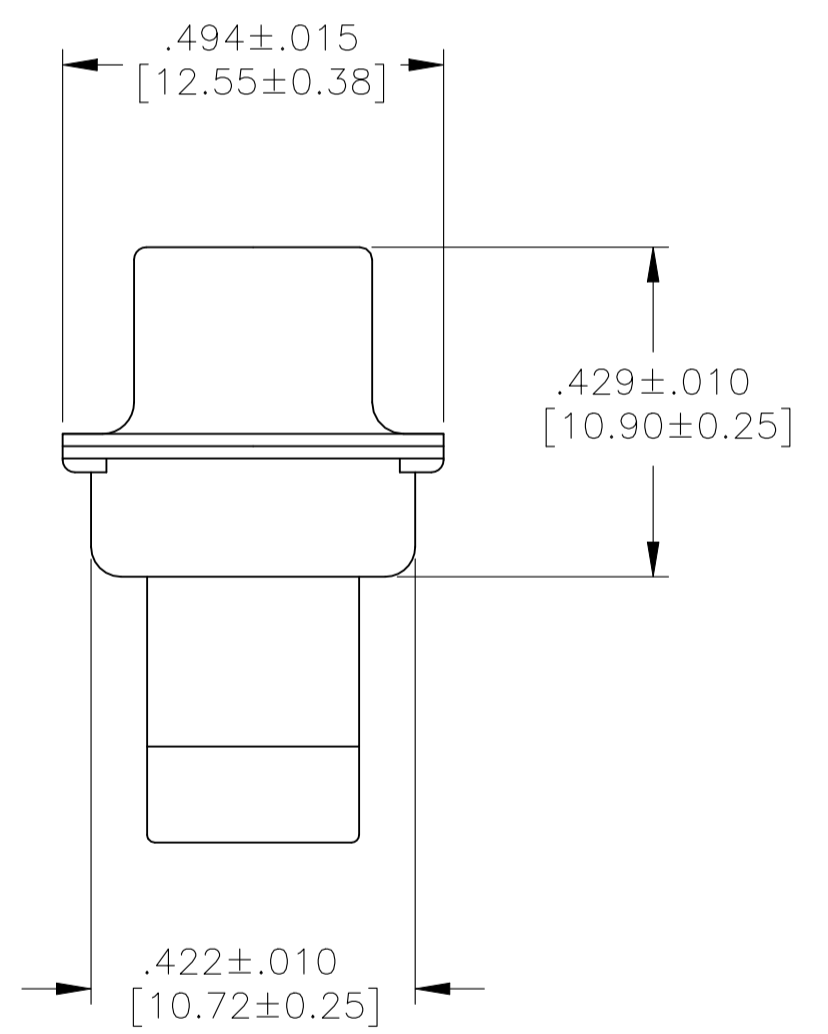
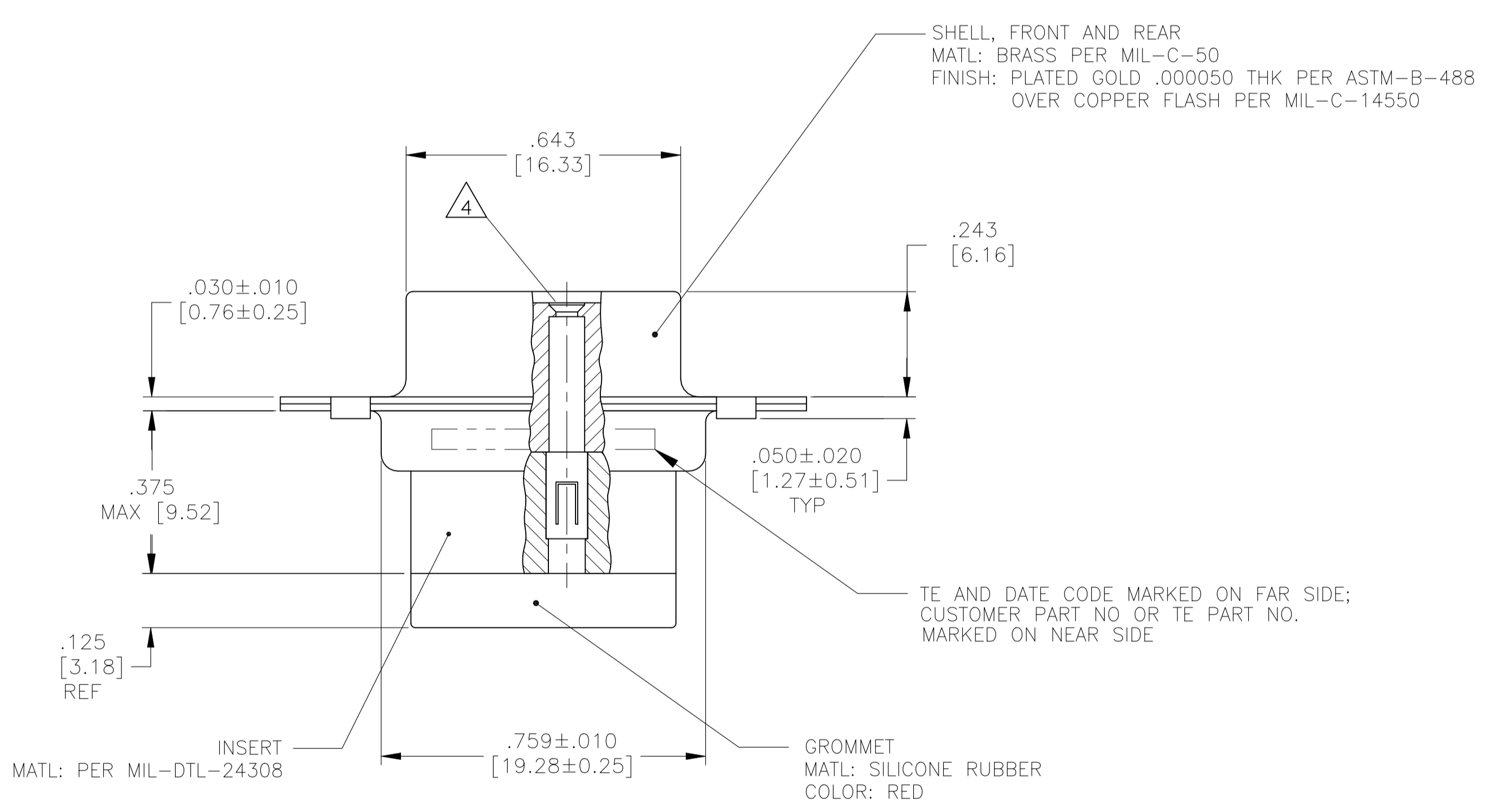


| REVISIONS | | | | | |
|-----------|-----|-----------------------|--------|-----|------|
| P | LTR | DESCRIPTION | DATE | DMN | APVO |
| K | | REV PER ECO 20-006809 | 1-7-21 | CT | DM |



1. THIS RECEPTACLE WILL MATE WITH ANY 9 POSN, SIZE 1 PLUG IN AMPLIMITE SERIES
 2. MAXIMUM WIRE INSULATION USED WITH THIS RECEPTACLE IS $\phi.068$ [1.73]
 3. BE CU RETENTION CLIPS ARE INCLUDED IN INSERT
- ⚠ CONNECTOR SUPPLIED WITHOUT CONTACTS; SHOWN FOR ILLUSTRATION ONLY



| | | | |
|----------|--------------------|-------------------|----------|
| OBSOLETE | 1A01-021 | -- | 211633-6 |
| OBSOLETE | - | -- | 211633-5 |
| | - | 211633-4 | 211633-4 |
| OBSOLETE | - | -- | 211633-3 |
| OBSOLETE | 2A014-036V-001 | -- | 211633-2 |
| | 1A01-021-RHA | -- | 211633-1 |
| | MARKED CUSTOMER NO | MARKED TE PART NO | PART NO. |

THIS DRAWING IS A CONTROLLED DOCUMENT.

| | | | |
|-----------------------|--|------------------------|---|
| DIMENSIONS: INCHES | TOLERANCES UNLESS OTHERWISE SPECIFIED: | DIN C.C.THOMAS 12-6-90 | DMN |
| | 0 PLC ± - | CHK F.KINSEY 12-6-90 | NAME |
| | 1 PLC ± - | APP'D F.KINSEY 12-6-90 | RCPT. ASSY.,AMPLIMITE,9 POSN,SIZE 1, SERIES 109, NON-MAG, W/GROMMET |
| | 2 PLC ± - | PRODUCT SPEC | APPLICATION SPEC |
| | 3 PLC ± .005 [0.13] | SIZE | CAGE CODE |
| 4 PLC ± - | ANGLES | WEIGHT | RESTRICTED TO |
| MATERIAL SEE CALLOUTS | FINISH SEE CALLOUTS | 0.000000 | A1 00779 |
| CUSTOMER DRAWING | | SCALE 4:1 | SHEET 1 of 1 REV K |

TE Connectivity

X-ON Electronics

Largest Supplier of Electrical and Electronic Components

Click to view similar products for [D-Sub Standard Connectors](#) category:

Click to view products by [TE Connectivity](#) manufacturer:

Other Similar products are found below :

[DCM37S732N](#) [DAM15P500](#) [DEV09S364GTLF](#) [DEM09P032N](#) [DDM50P732N](#) [DAM15S332N](#) [173109-2218](#) [173109-2466](#) [173109-2469](#)
[173109-2435](#) [56F706-005-LI](#) [56F711-015](#) [015-0341-000](#) [017041-0005](#) [012-9507-114](#) [012-9534-001](#) [609-25P](#) [M24308/2-23Z](#) [M243082310F](#)
[M24308/2-36Z](#) [M243082411F](#) [M24308315F](#) [M24308/4-21](#) [M243084437F](#) [CT0M22-23SS](#) [CT1N36-5SC](#) [CT2-16S-17PS](#) [CT2-20-15PCAU](#)
[CT2-24-12PS](#) [CT2-24-28PSF127A206](#) [CT6F9767-14-4-14S-5PC](#) [CT7-18-10SC](#) [CT7-18-10SCAU](#) [CT7-18-12SCAU](#) [CT7-18-1PC](#) [CT7-18-](#)
[1PCAU](#) [CT7-18-1SC](#) [CT7-18-21SCAU](#) [CT9-16-12PS](#) [M83513/01-FC](#) [M83723/76W24619 L/C](#) [M85049/48-3-2F](#) [69001-865](#)
[6STD09PCM99B70X](#) [6STD09SCM99B30X](#) [6STD09SCT99S40X](#) [6STD15PCT99S40X](#) [6STD15SCM99B30X](#) [6STD15SCT99S40X](#)
[6STF09PCM05B70X](#)