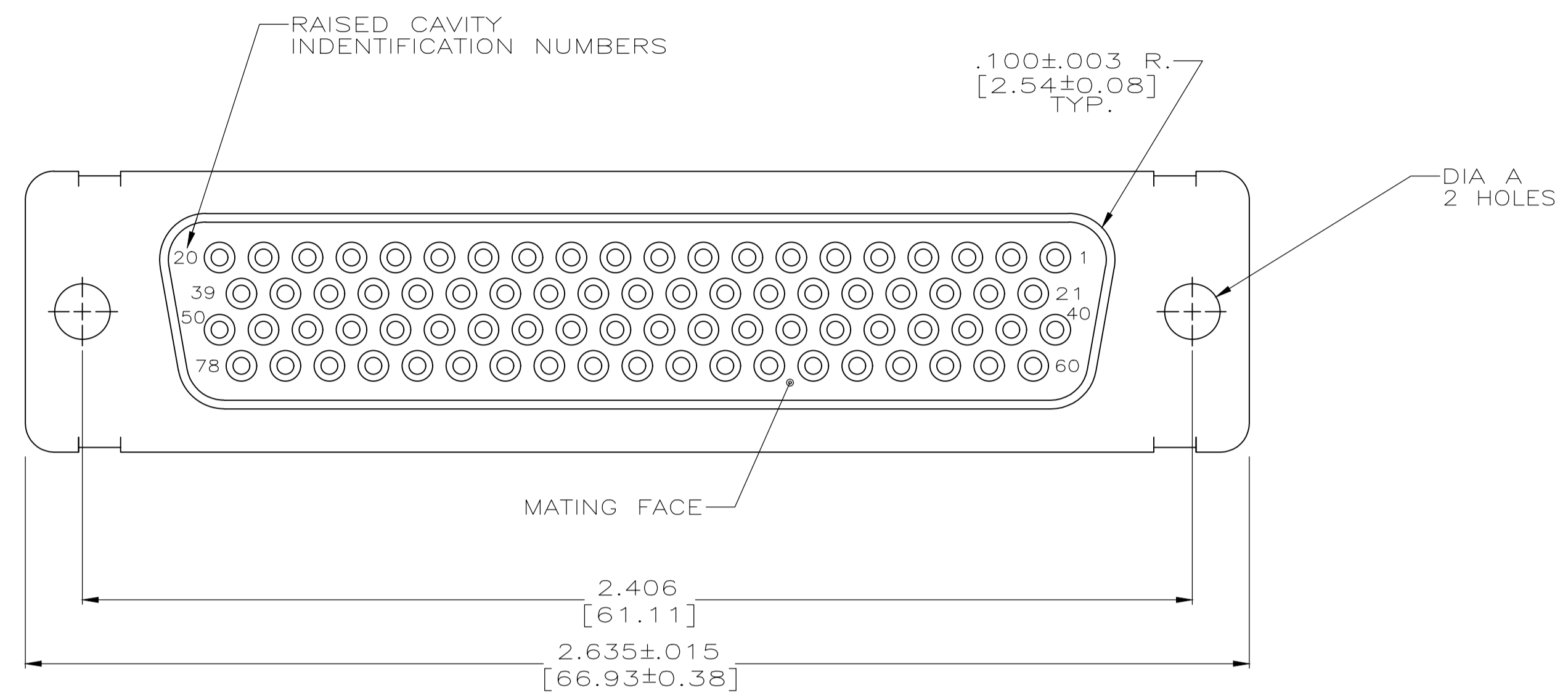
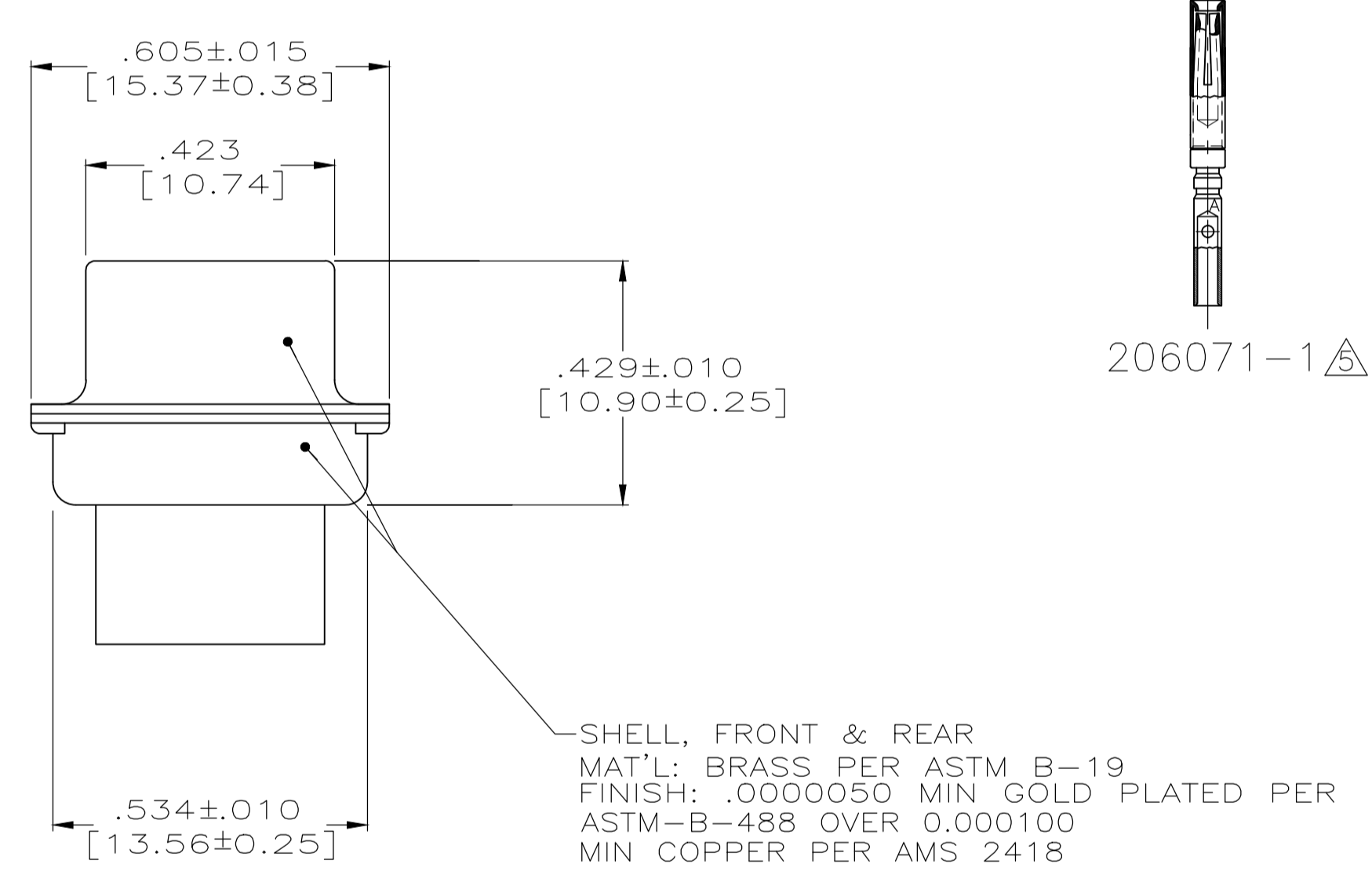
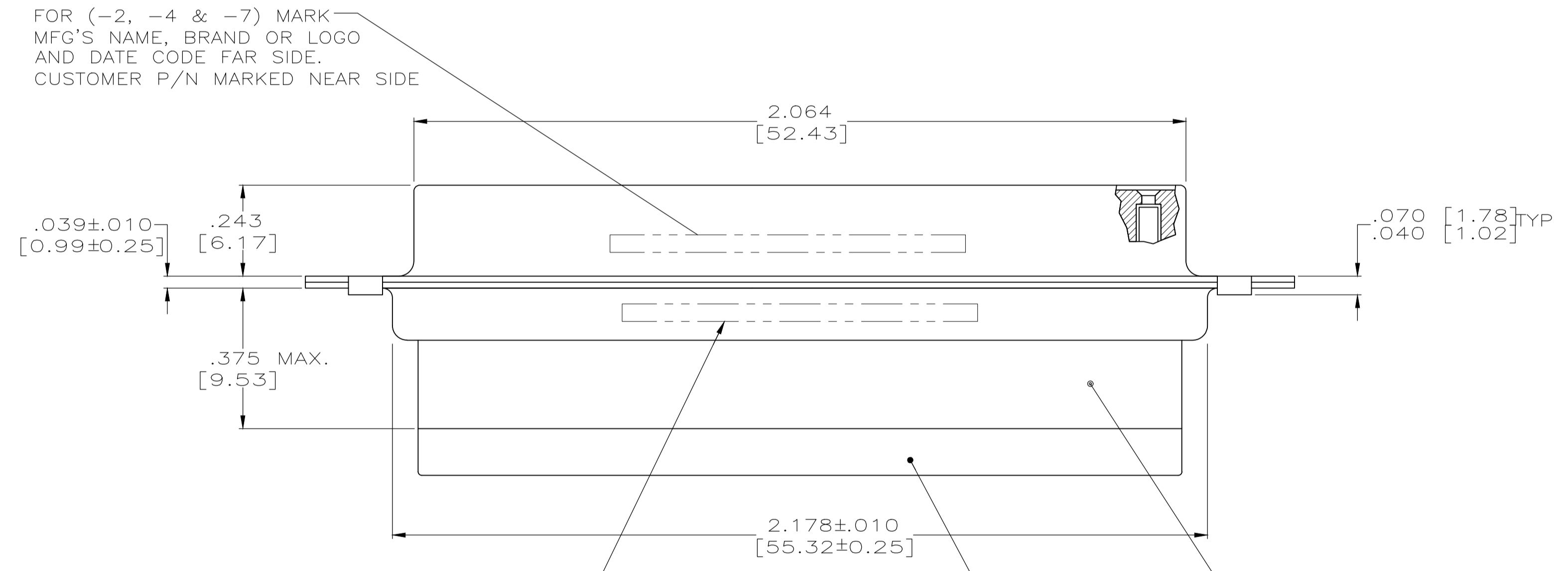


REVISIONS				
P	LTR	DESCRIPTION	DATE	APP'D
K		REVISED PER ECO 20-003564	5-27-20	CT DM



- CONNECTOR SUPPLIED WITHOUT CONTACTS; SHOWN FOR ILLUSTRATION ONLY.
- BE-CU RETENTION CLIPS ARE INCLUDED IN INSERT AND INSTALLED WITH TINES POINTING TOWARDS MATING FACE.
- OVERALL DIMENSIONS DO NOT INCLUDE RAISED CAVITY IDENTIFICATION.
- MARKING FAR SIDE REFERS TO WIDE SIDE OF KEYSTONE. NEAR SIDE REFERS TO NARROW SIDE OF KEYSTONE
- CONTACTS SUPPLIED WITH 211671-7 ONLY.
- 100% INSPECTION REQUIRED PER BOEING 1B01:
 - A. VISUAL
 - B. DWV
 - C. IR
- CUSTOMER REQUIRES SINGLE LOT DATE CODE.
- SPECIAL REQUIREMENTS:
 - A. TEST TWO CONNECTORS PER LOT FOR COMPLIANCE TO GROMMET PEEL STRENGTH REQUIREMENTS.
 - B. TEST ALL CIRCUIT CAVITIES FOR MISALIGNMENT OR EXCESSIVE ADHESIVE.



FOR (-1 & -11) CUSTOMER P/N MARKED ON FAR SIDE.
 MANUFACTURER'S NAME, BRAND OR LOGO AND MANUFACTURER'S PART NO AND DATE CODE MARKED ON NEAR SIDE.
 FOR (-2, -4 & -7) MARK MFG'S P/N FAR SIDE.

GROMMET
 MATL: SILICONE RUBBER

.120 [3.05]	1B01-029RHW	1-211671-1	1-211671-1
.120 [3.05]	B010648-0010	211671-7	211671-7
NOT RELEASED	-	211671-6	211671-6
NOT RELEASED	-	211671-5	211671-5
.120 [3.05]	-	211671-4	211671-4
NOT RELEASED	-	211671-3	211671-3
.120 [3.05]	2A065-023V-001	211671-2	211671-2
.120 [3.05]	1B01-029	211671-1	211671-1
DIA A	CUSTOMER P/N ON CONNECTOR	MFG'S P/N ON CONNECTOR	MFG'S P/N

THIS DRAWING IS A CONTROLLED DOCUMENT. DWG: J.A. BAKER 1-1-99
 OW: C.THOMAS 1-1-99
 APVD: C.C.THOMAS 1-1-99

STE TE Connectivity

PRODUCT SPEC: RCPT. ASS'Y, AMPLIMITE, 78 POSN, SIZE 5, SERIES 90, NON MAGNETIC WITH GROMMET

APPLICATION SPEC: -

WEIGHT: 0.000000

CUSTOMER DRAWING

SCALE: 4:1 SHEET 1 OF 1 REV K

X-ON Electronics

Largest Supplier of Electrical and Electronic Components

Click to view similar products for [D-Sub High Density Connectors](#) category:

Click to view products by [TE Connectivity](#) manufacturer:

Other Similar products are found below :

[1484349-1](#) [163A16769X](#) [163A16809X](#) [163A17089X](#) [164A17199X](#) [164A17209X](#) [164A17479X](#) [164A18209X](#) [17BH-044S-AA110](#) [K86X-AD-26S](#) [KF66X-E15P-N](#) [241A17320X](#) [242A25680X](#) [242A25740X](#) [L717HDB44POL2R210](#) [L717HDCH62POL2RM5](#) [L717HDEH15POL2L777HDE15P](#) [L77HDC62S](#) [163A16599X](#) [163A16779X](#) [163A16839X](#) [163A17079X](#) [164A17309X](#) [164A17329X](#) [164A18219X](#) [241A16440X](#) [241A16550X](#) [241A16680X](#) [241A17390X](#) [241A20810X](#) [241A25740X](#) [CT25-44P](#) [K66X-E15S-N30](#) [K86X-BA-44S](#) [K86X-ED-15S-BR15](#) [K86X-ED-15SK](#) [L177HDE15SOL2RM23](#) [L177HRC62S](#) [L177HRC62SVFM](#) [L177HRCG62S](#) [L717HDBH44POL2RM5](#) [L717HDEG15POL2RM5](#) [L77HDA26SVF](#) [L77HDE15SD1CO](#) [L77HDEH15SOL2RM832](#) [443895-3](#) [106698-1](#) [5529599](#) [280-012K2C](#)